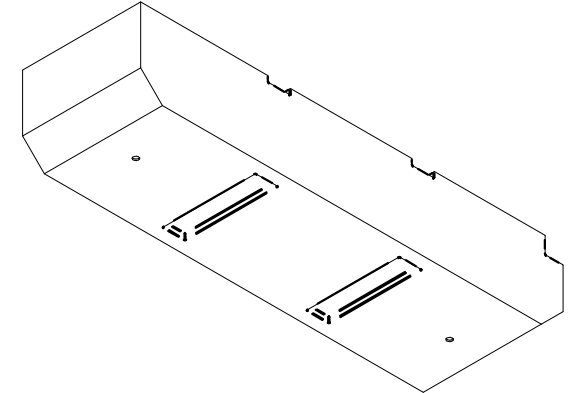
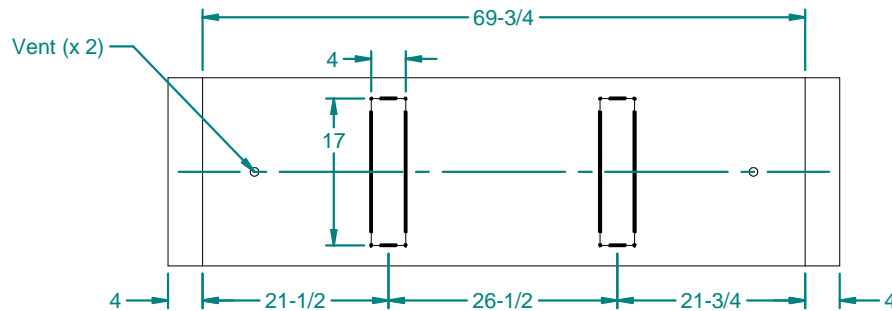
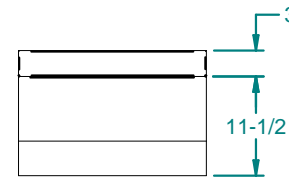
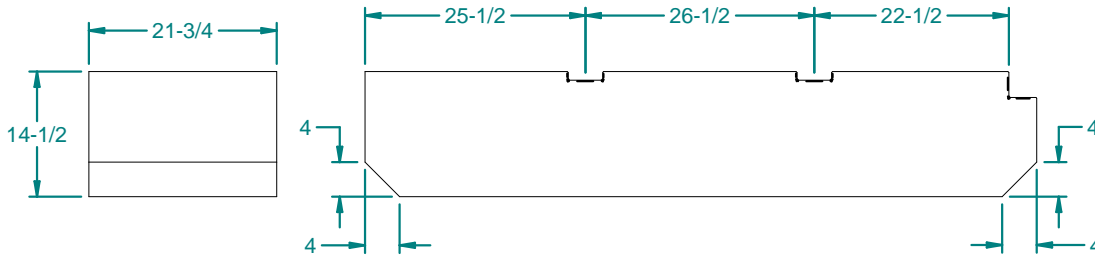
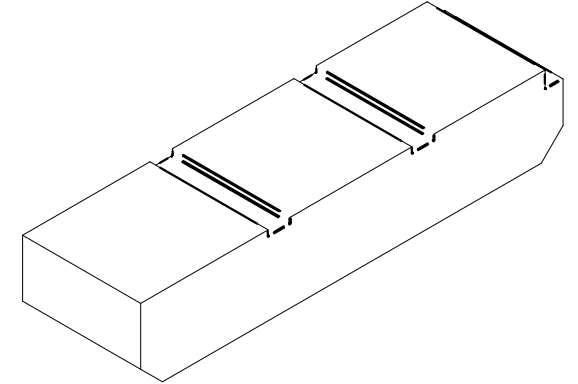
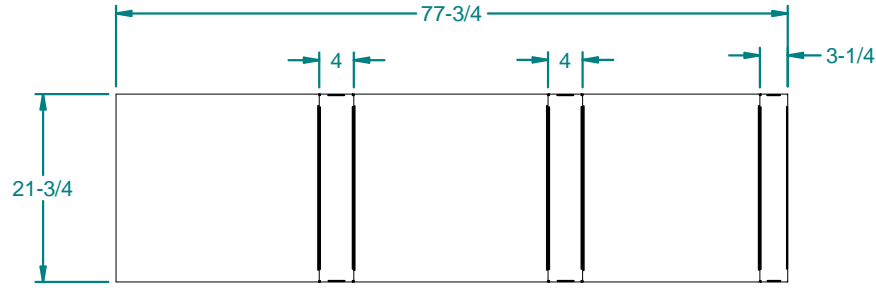



MAIN PRODUCT INFORMATION

REVISION HISTORY

REV	DESCRIPTION	DATE	APPROVED	Revised By
10	Added 4" x 45° Chamfers to Bottom End Edges	1/6/2015		



Weight: 52 lbm	NAME	DATE	 16160 Hwy 27 Lake Wales, FL. 33859	
Wall Thickness: 0.25 in	Drawn By: S. Arant	1/12/2015		
Customer Part No: N/A	Customer APPR		Customer: Dura-Cast Products, Inc.	
Print Date: 2/16/2015	COPYRIGHT © 2015 DURA-CAST PRODUCTS, INC.		Part Title: 100 Gallon Plastic Tank	
Comments: - UNLESS OTHERWISE SPECIFIED DIMENSIONS ARE IN INCHES - Std Radii 3/16"	UNLESS OTHERWISE SPECIFIED TOLERANCES ARE DIMS > 10" ±1% DIMS < 10" ±0.100 WALL THICKNESS ± 20% FLATNESS ± .030 in/in		File Name: 103100 100 Gallon Tank 2015 01 06.dft	
	Size: A	Material: LLDPE 939	Rev: 10	
	Part No: 103100	Do Not Scale	Sheet: 1 OF 1	