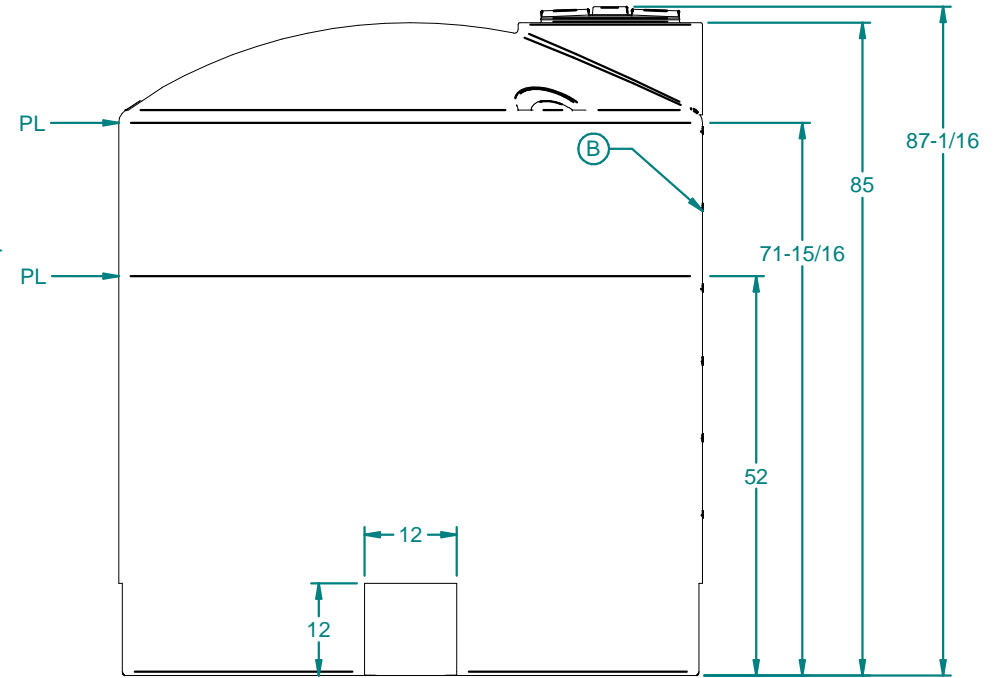
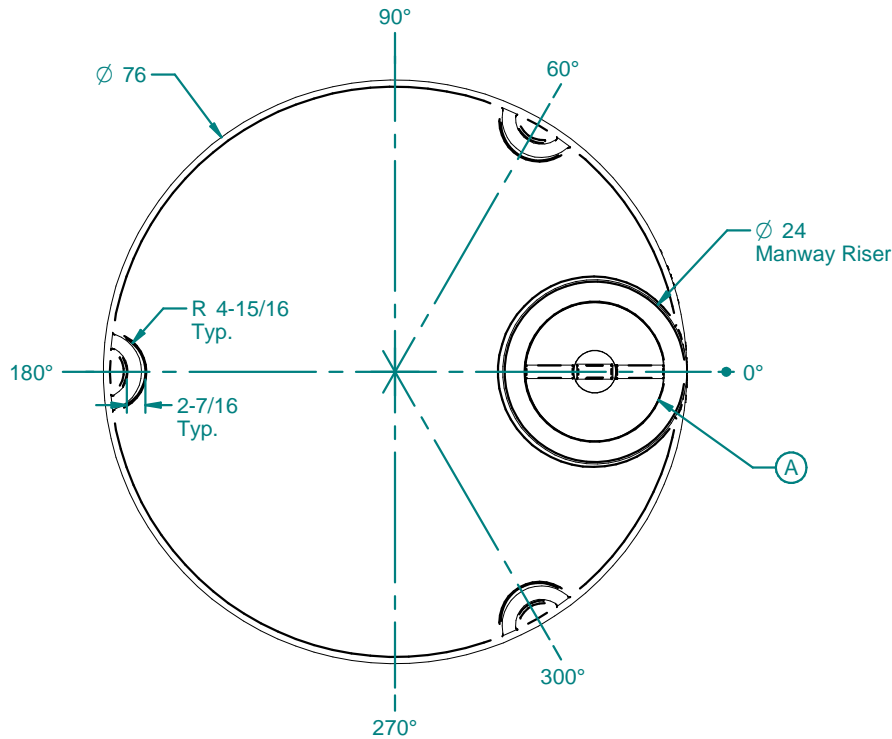



1550 Gallon Vertical Tank



A. 16" HDPE THREADED - VENTED MANWAY W/ 16" ACCESS, BLACK, W/ SS SCREWS (P/N 751016)

B. TANK CALIBRATION AT 0° IN 200 GALLON INCREMENTS

C. TANK FITTINGS TO BE INSTALLED AT TIME OF SHIPMENT AS PER DURA-CAST PROCEDURES

Weight: <small>Dependent on specific gravity rating</small>		NAME	DATE	 16160 Hwy 27 Lake Wales, FL. 33859		
Wall Thickness: <small>Dependent on specific gravity rating</small>	Drawn By:	S. Arant	7/25/2014			
Customer Part No: <small>N/A</small>	Customer APPR			Customer: Dura-Cast Products, Inc.		
Print Date: 7/25/2014	COPYRIGHT © 2014 DURA-CAST PRODUCTS, INC.			Part Title: 1550 Gallon Vertical Tank		
Comments: - UNLESS OTHERWISE SPECIFIED DIMENSIONS ARE IN INCHES - Std Radii 3/16"	UNLESS OTHERWISE SPECIFIED TOLERANCES ARE DIMS < 10" ±1% DIMS < 10" ±0.100 WALL THICKNESS ± 20% FLATNESS ± .030 in/in			File Name: 1550 Gal Vertical Tank.dft		
				Size: A	Material: HDPE 942	Rev:
				Part No: 901600	Do Not Scale	Sheet: 1 OF 1