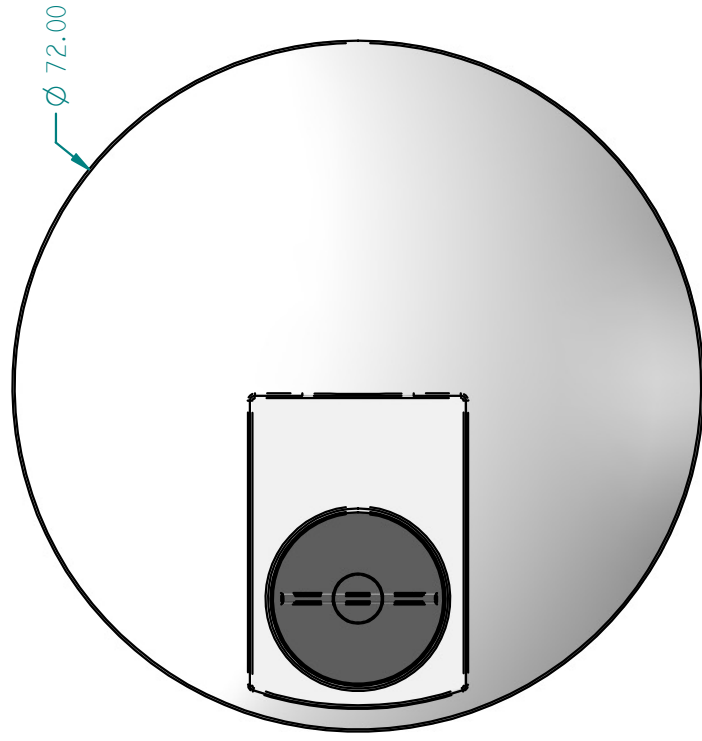
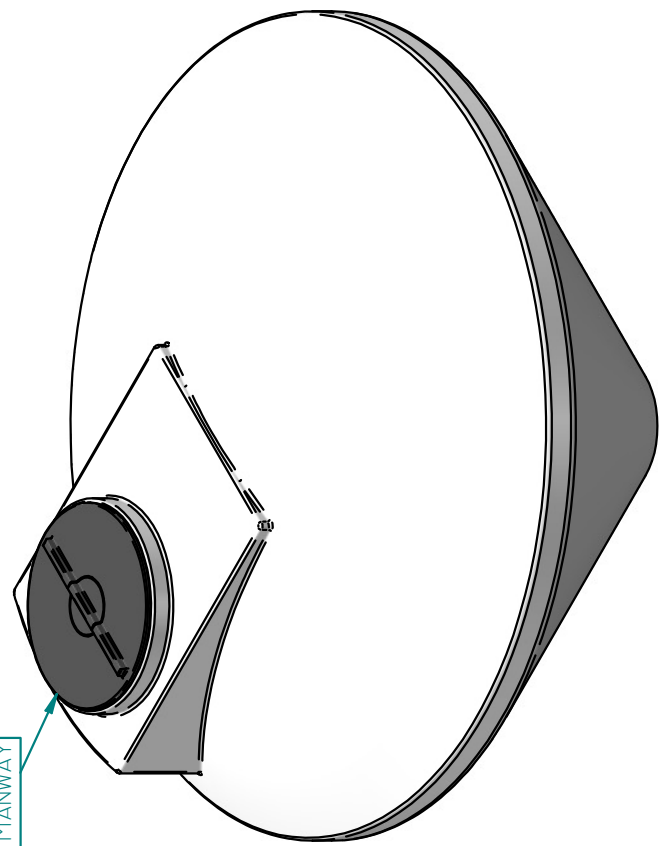


REVISION HISTORY

REV	DESCRIPTION	DATE	APPROVED

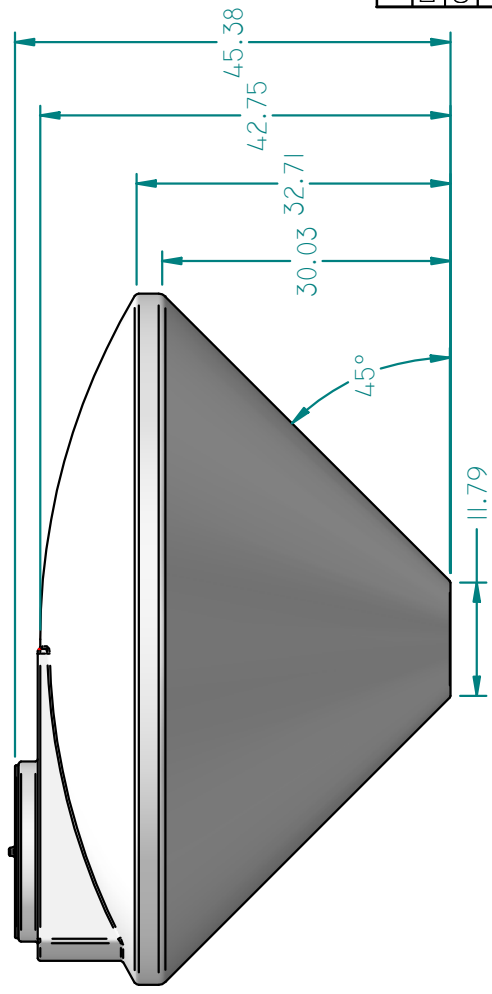


16" MANWAY



ISO VIEW

TOP VIEW



SIDE VIEW

WALL THICKNESS: .270"

		16160 Hwy 27 Lake Wales, FL 33859	
TANK CAPACITY: 350 GALLONS		TITLE: 350 GALLON CONE BOTTOM	
DRAWN	M/PUTT	DATE	11/2/2004
CHECKED			
ENG APPR			
MGR APPR			
UNLESS OTHERWISE SPECIFIED DIMENSIONS ARE IN INCHES ANGLES ±0.5° 2 PL ±0.125" 3 PL ±0.060"		FILE NAME: C350 TANK.DFT	
PART #: 930350SD		WEIGHT: 100.668 LBS	
SHEET 1 OF 1		REV A	
MATERIAL: HDPE NATURAL 1.9 SPG		REV	