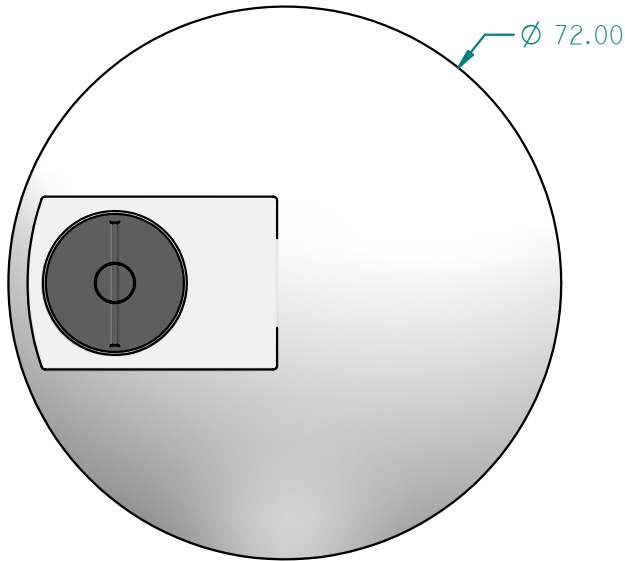
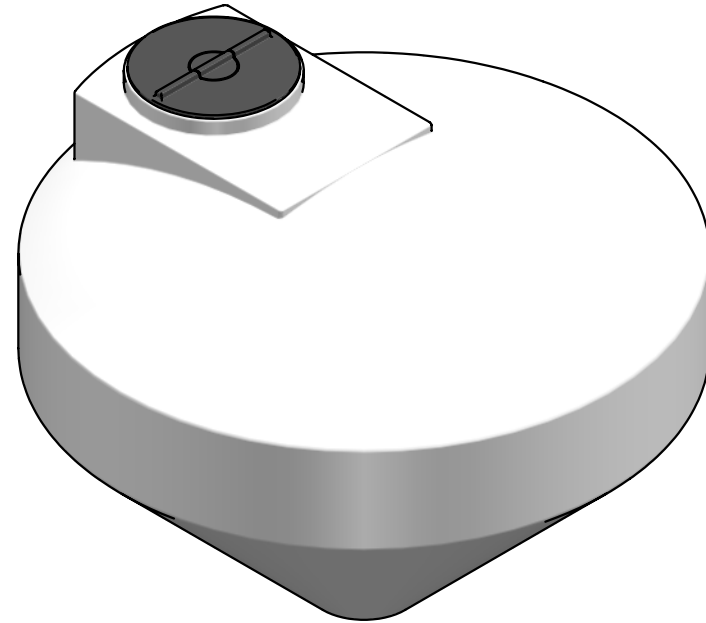


REVISION HISTORY

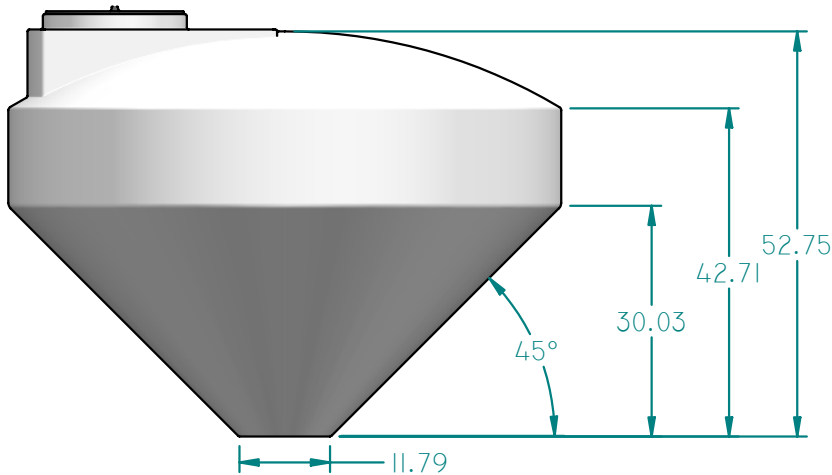
REV	DESCRIPTION	DATE	APPROVED



TOP VIEW




ISO VIEW



SIDE VIEW

WALL THICKNESS:

DRAWN		NAME	DATE	 16160 Hwy 27 Lake Wales, FL 33859
CHECKED				
ENG APPR				
MGR APPR				
UNLESS OTHERWISE SPECIFIED DIMENSIONS ARE IN INCHES ANGLES ±0.5° 2 PL ±0.125" 3 PL ±0.060"				TITLE 500 GALLON CONE TANK SIZE A MATERIAL: HDPE NATURAL 1.2 SPG REV FILE NAME: C500 TANK.DFT PART#: 930500 WEIGHT: 0.000 LBM SHEET 1 OF 1