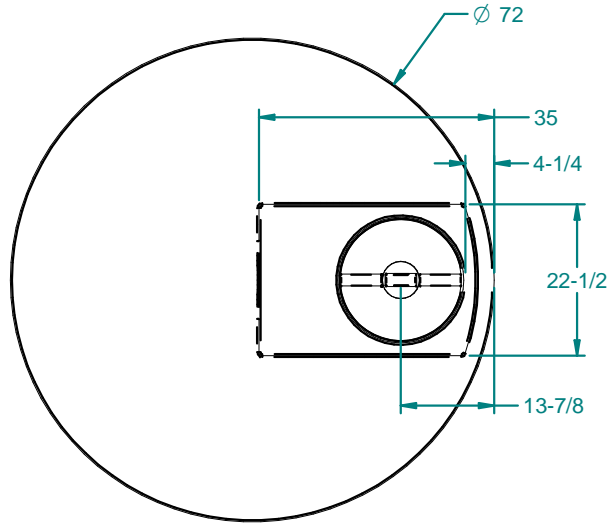
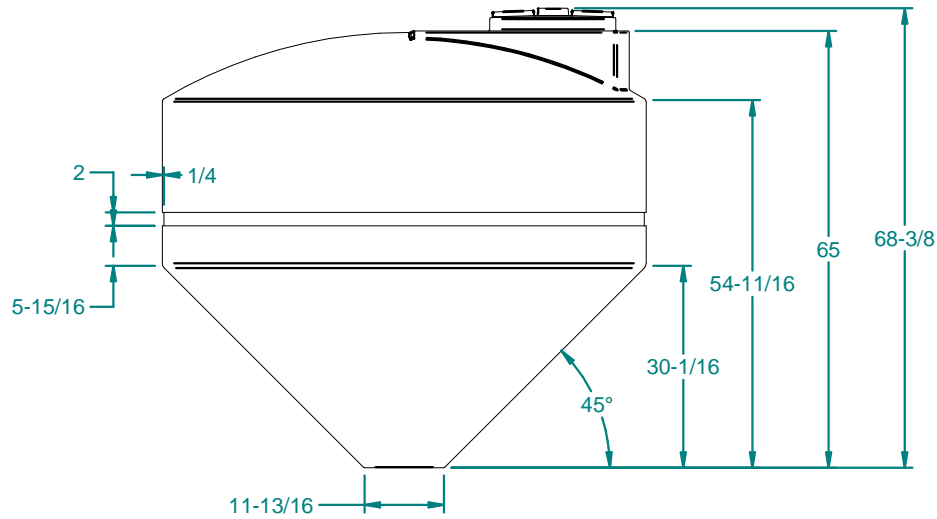


MAIN PRODUCT INFORMATION



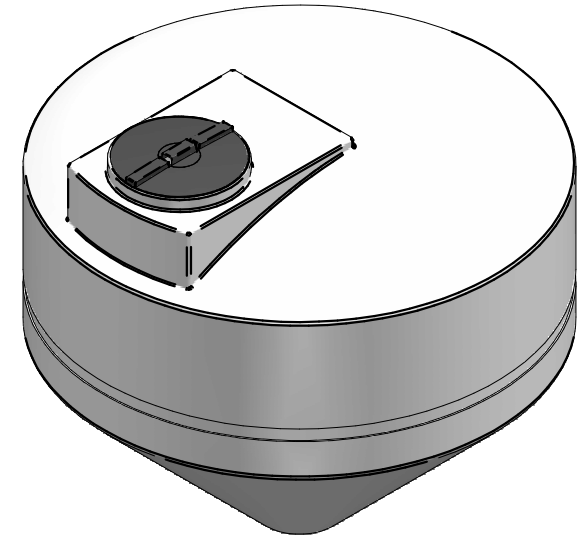
Top View




Side View

REVISION HISTORY

REV	DESCRIPTION	DATE	APPROVED	Revised By
01	Drawing Update	7-23-14		



ISO View

Weight: Dependent on Specific Gravity	NAME	DATE	 16160 Hwy 27 Lake Wales, FL. 33859	
Wall Thickness: Dependent on Specific Gravity	Drawn By: S. Arant	5/8/2006		
Customer Part No: N/A	Customer APPR		Customer: Dura-Cast Products, Inc.	
Print Date: 7/23/2014	COPYRIGHT©2014 DURA-CAST PRODUCTS, INC.		PartTitle: 700 Gallon Cone Tank	
Comments: - UNLESS OTHERWISE SPECIFIED DIMENSIONS ARE IN INCHES - Std Radii 3/16"	UNLESS OTHERWISE SPECIFIED TOLERANCES ARE DIMS > 10" ±1% DIMS < 10" ±0.100 WALL THICKNESS ± 20% FLATNESS ± .030 in/in		File Name: 700 Gal Cone Tank.dft	
	Size: A	Material: HDPE 942	Rev: 01	
	Part No: 930700	Do Not Scale	Sheet: 1 OF 1	