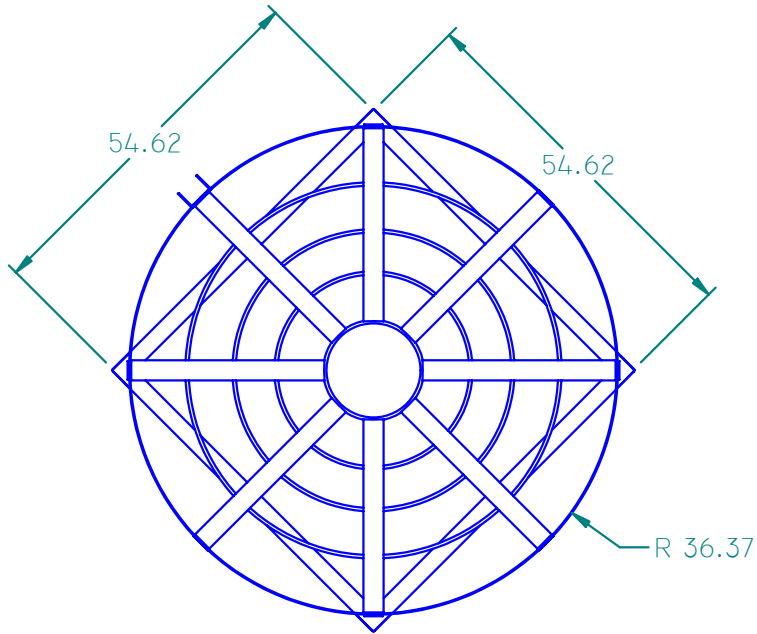
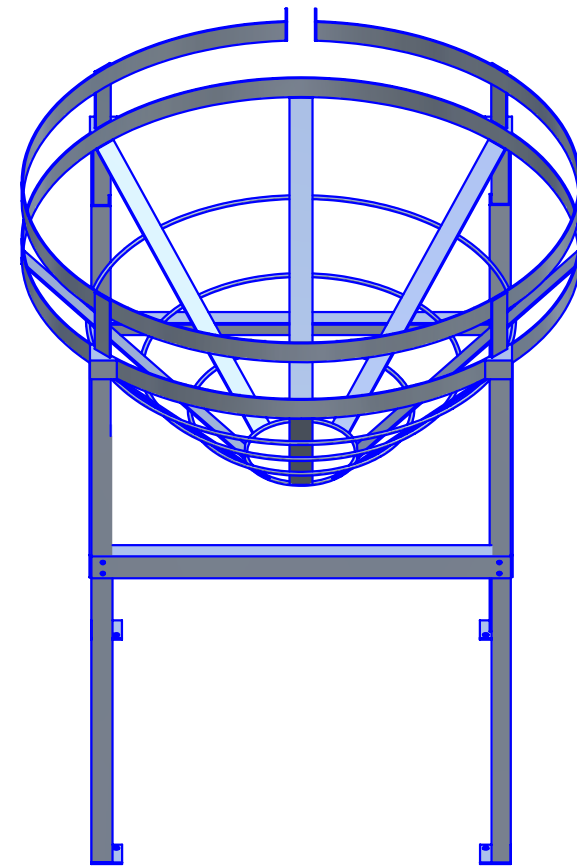


REVISION HISTORY

REV	DESCRIPTION	DATE	APPROVED

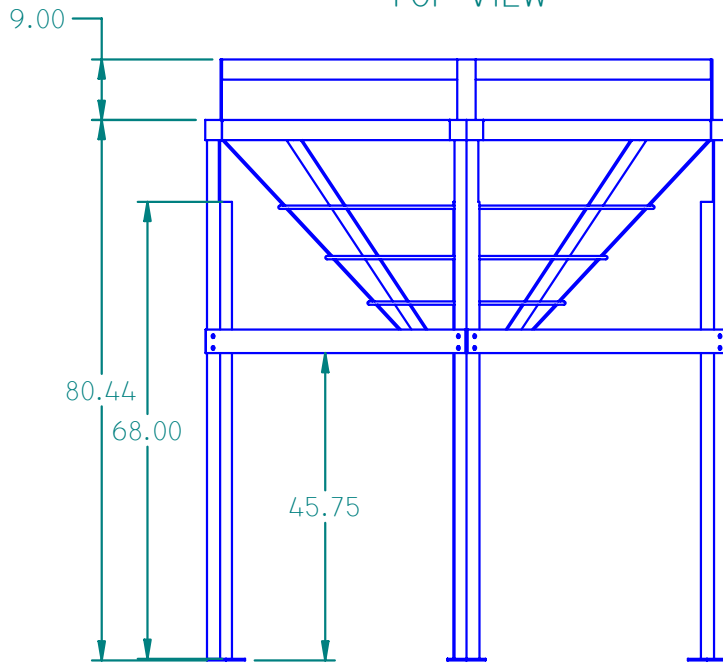


TOP VIEW



ISO VIEW


HEAVY DUTY 72" CONE BOTTOM
STAND FOR 910500HD,SD;
910700HD,SD; 910900 ALL; 911100
ALL TANKS



FRONT VIEW

2-1/2" x 2-1/2" DOUBLE ANGLE LEGS

WALL THICKNESS:

DRAWN		NAME	DATE	 16160 Hwy 27 Lake Wales, FL 33859
CHECKED				
ENG APPR				
MGR APPR				
UNLESS OTHERWISE SPECIFIED DIMENSIONS ARE IN INCHES ANGLES ±0.5° 2 PL ±0.125" 3 PL ±0.060"				TITLE 72" HD CONE STAND ASSY SIZE A MATERIAL: CARBON STEEL PAINTED REV FILE NAME: 72 CONE STAND ASSY.DFT PART#: 930001HD WEIGHT: SHEET 2 OF 6