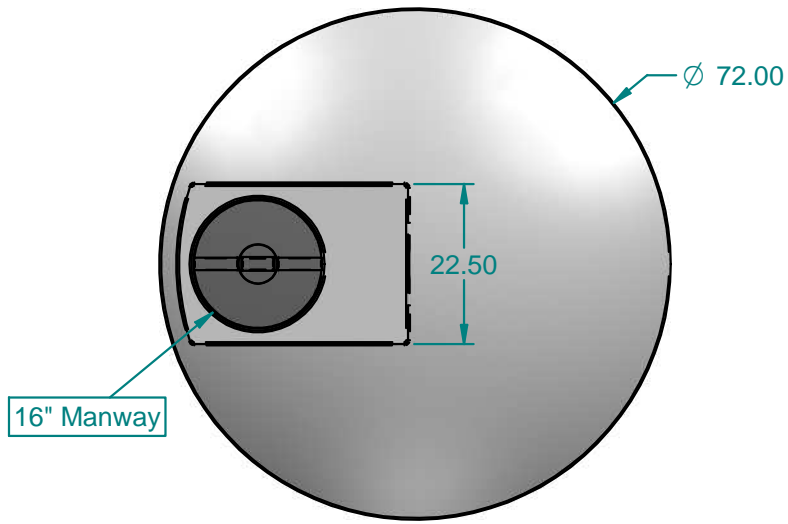


REVISION HISTORY

REV	DESCRIPTION	DATE	APPROVED

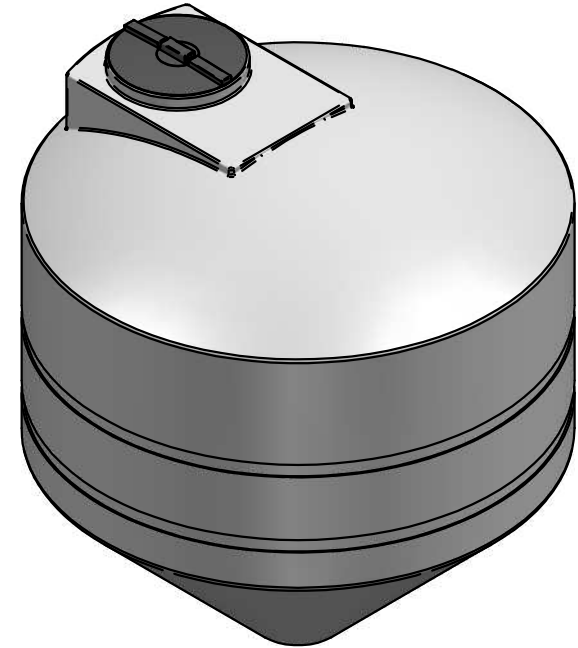


16" Manway

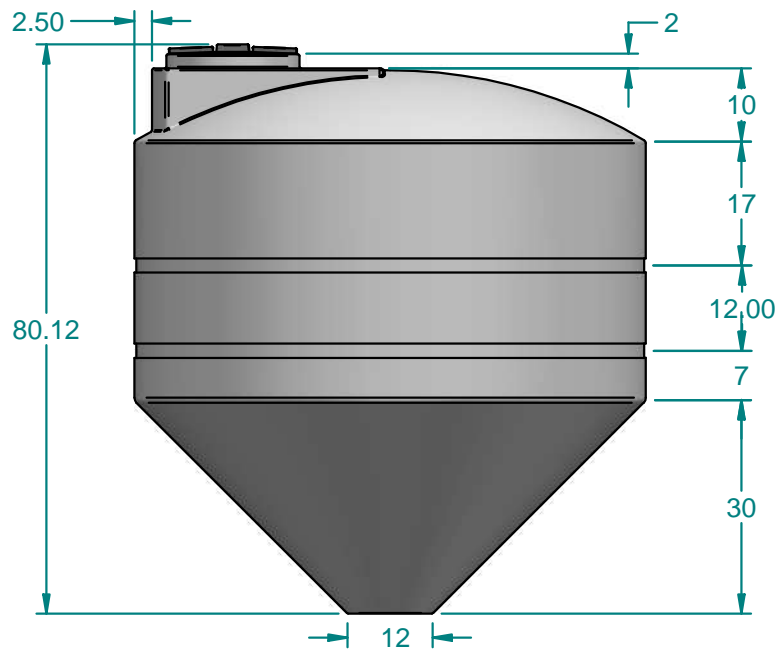
Ø 72.00

22.50

Top View




ISO View



Side View

wall thickness: .220"

			16160 Hwy 27 Lake Wales, FL 33859	
DRAWN	mputt	5/8/2006	TITLE 900 Gallon Cone Tank 1.2 SPG	
CHECKED			SIZE A	MATERIAL: hdpe natural
ENG APPR			REV	
MGR APPR			FILE NAME: C900 Tank.dft	
UNLESS OTHERWISE SPECIFIED DIMENSIONS ARE IN INCHES ANGLES ±0.5° 2 PL ±0.125" 3 PL ±0.060"			PART#: 930900	WEIGHT: 140.290 lbn
			SHEET 1 OF 1	