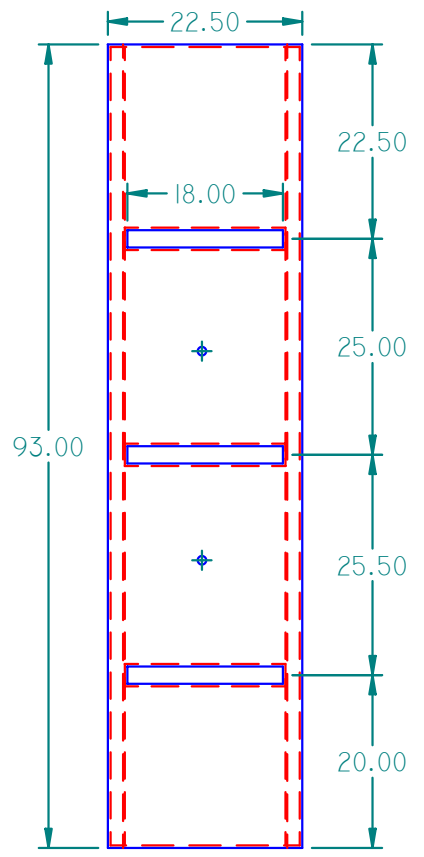


REVISION HISTORY

REV	DESCRIPTION	DATE	APPROVED
1	CHG DIM FROM 92.0" TO 93.0"	10/05/04	



TANKS ARE DESIGNED TO BE USED IN A HORIZONTAL POSITION. RECTANGULAR TANKS USED IN VERTICAL POSITION MAY REQUIRE ADDITIONAL WALL THICKNESS OR EXTERNAL SUPPORT

TANKS ARE NOT RATED FOR GASOLINE OR AROMATIC SOLVENTS

TANK RESINS ARE FULLY UV STABILIZED

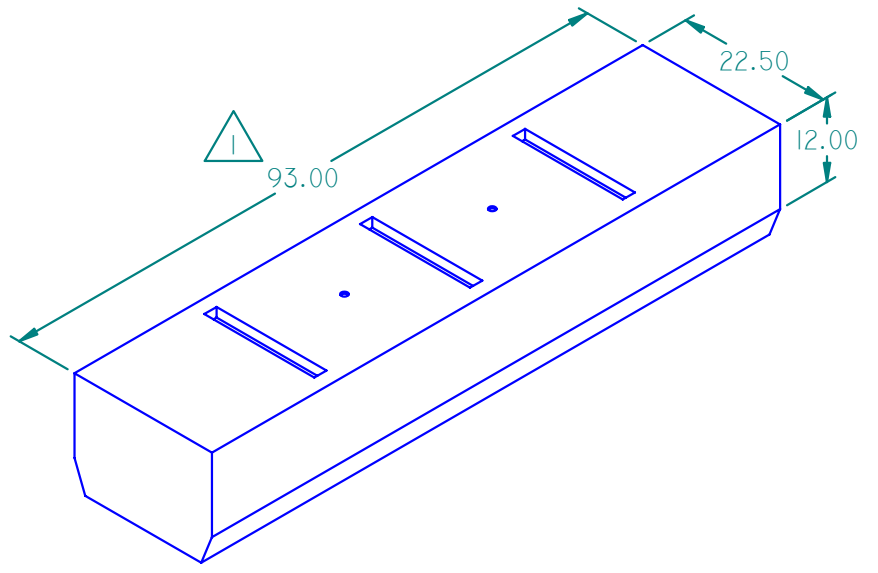
MOST SIZE TANKS ARE AVAILABLE IN STANDARD WALL THICKNESS SHOWN OR HEAVY DUTY

ALLOW +/- 1% ON TANK DIMENSIONS FOR OVERALL SIZE VARIANCES

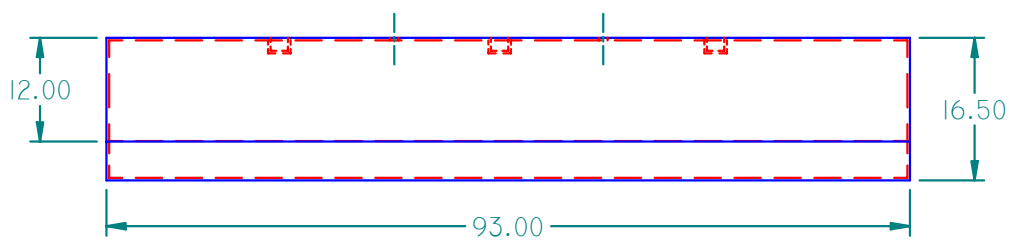
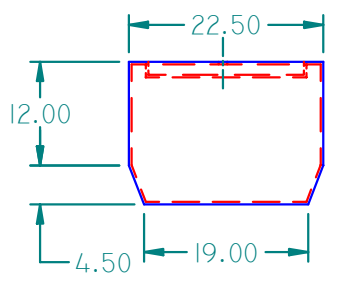
VENT HOLE ON TANK WILL BE WELDED SHUT IF NOT USED FOR FITTING LOCATION


TANK PLASTIC RESIN IS FDA COMPLIANT BASED ON MANUFACTURER'S SPECIFICATIONS

TANKS MEET ABYC AND USCG REQUIREMENTS FOR MARINE WATER AND HOLDING TANK APPLICATIONS



ISO VIEW 130140



TANK CAPACITY: 140 GALLONS			 16160 Hwy 27 Lake Wales, FL 33859		
NAME	DATE	TITLE			
DRAWN	MPUTT	4/30/2004	140 GALLON PLASTIC TANK		
CHECKED			SIZE A	MATERIAL: LMDPE NATURAL	REV
ENG APPR			FILE NAME: 130140.DFT		
MGR APPR			PART#: 130140	WEIGHT: 79.063 LBM	SHEET 1 OF 1

WALL THICKNESS: .300"

UNLESS OTHERWISE SPECIFIED
DIMENSIONS ARE IN INCHES
ANGLES ±0.5°
2 PL ±0.125" 3 PL ±0.060"