

Tank plastic resin is fully FDA compliant based upon manufacturer's specifications

Tank resins are fully UV stabilized

Tanks meet ABYC and USCG requirements for marine water and holding tank applications

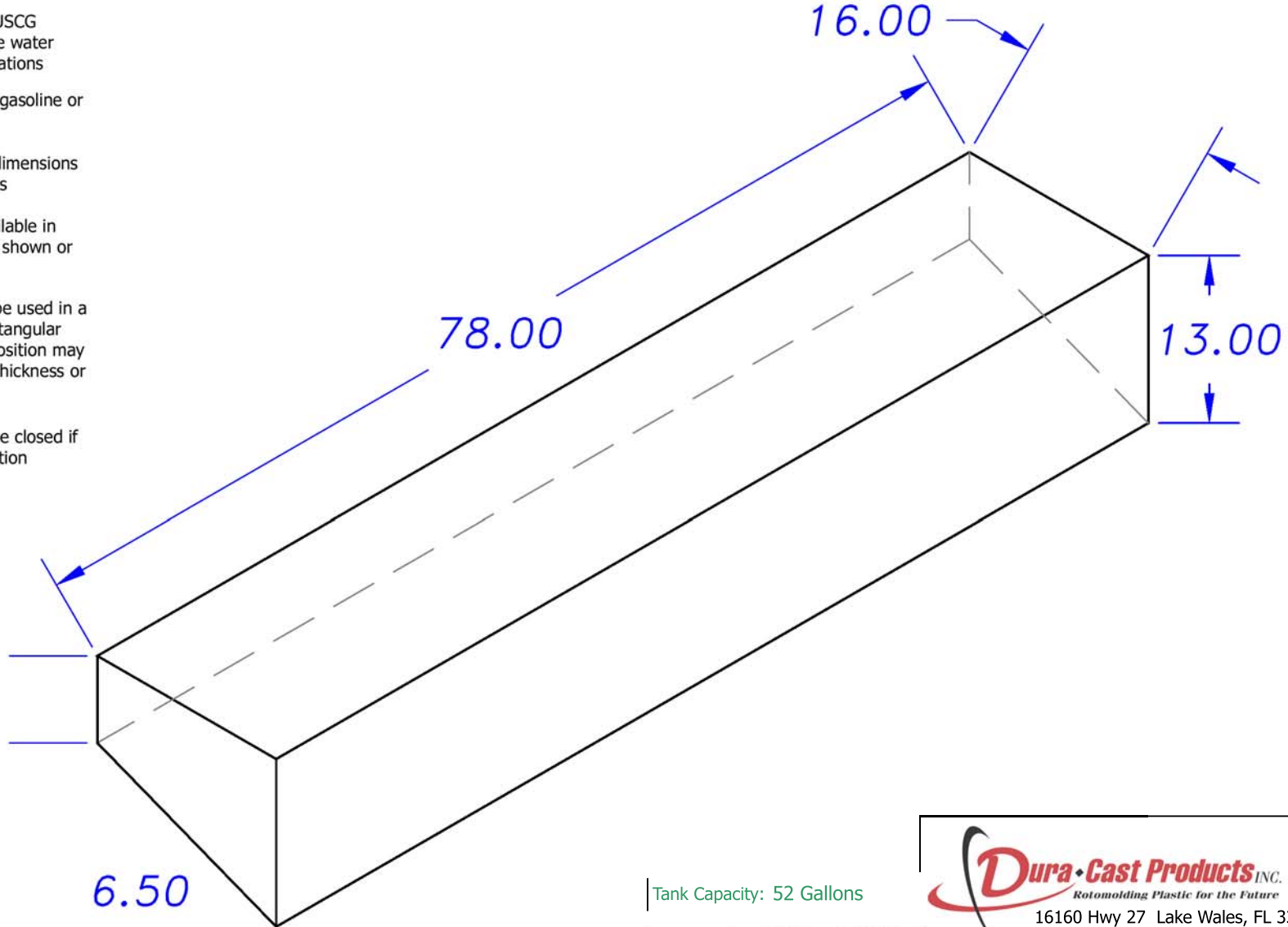
Tanks are not rated for gasoline or aromatic solvents

Allow +/- 1% on tank dimensions for overall size variances

Most size tanks are available in standard wall thickness shown or Heavy Duty

Tanks are designed to be used in a horizontal position. Rectangular tanks used in vertical position may require additional wall thickness or external support

Vent hole on tank will be closed if not used for fitting location



REVISION HISTORY

REV	DESCRIPTION	DATE	APPROVED

Tank Capacity: 52 Gallons

Dura-Cast Products INC.
Rotomolding Plastic for the Future
 16160 Hwy 27 Lake Wales, FL 33859
 800.683.4116 863.638.3200 F 863.638.2443
 www.duracast.com

DRAWN	MPUTT	9/01/2004
CHECKED		
ENG APPR		
MGR APPR		

TITLE Marine Water / Holding Tank		REV
SIZE A	MATERIAL: LMDPE Natural	

Wall Thickness: 0.250

UNLESS OTHERWISE SPECIFIED
 DIMENSIONS ARE IN INCHES
 ANGLES ±0.5°
 2 PL ±0.125° 3 PL ±0.060°

Part #: 103052	WEIGHT: 39#	SHEET 1 OF 1
----------------	-------------	--------------