

tanks are designed to be used in a horizontal position. rectangular tanks used in vertical position may require additional wall thickness or external support

tanks are not rated for gasoline or aromatic solvents

tank resins are fully uv stabilized

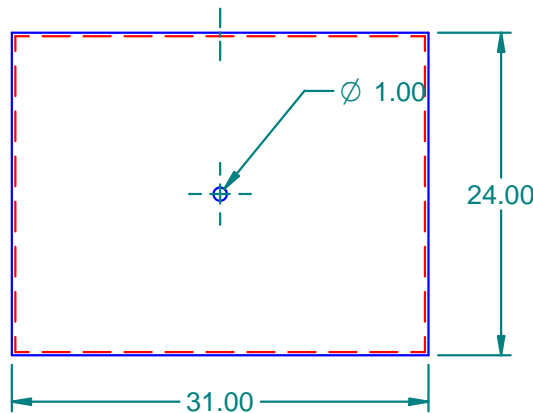
most size tanks are available in standard wall thickness shown or heavy duty

allow +/- 1% on tank dimensions for overall size variances

vent hole on tank will be welded shut if not used for fitting location

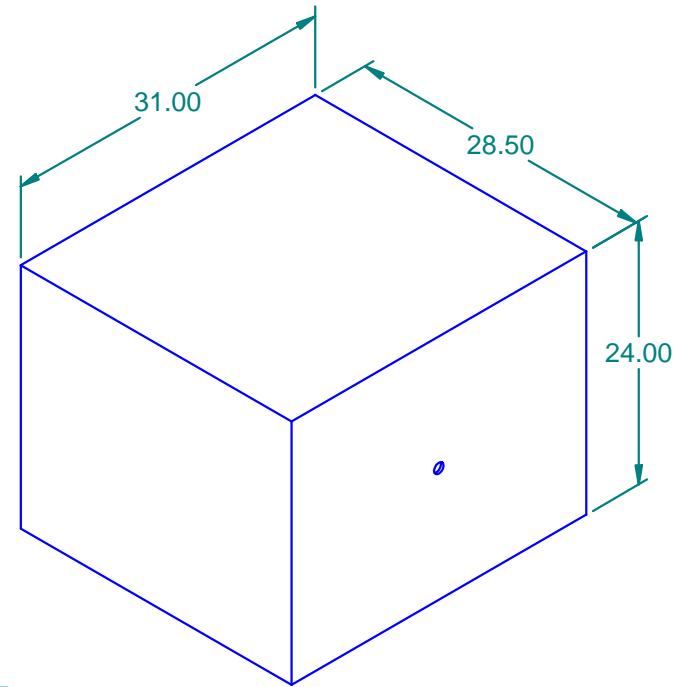
tank plastic resin is fda compliant based on manufacturer's specifications

tanks meet abyc and uscg requirements for marine water and holding tank applications



REVISION HISTORY

REV	DESCRIPTION	DATE	APPROVED
01	CORRECTED VENT HOLE LOCATION	01/19/10	



ISO View 300086

wall thickness: .260"

Tank Capacity: 86 Gallons

	NAME	DATE
DRAWN	mputt	5/8/2006
CHECKED		
ENG APPR		
MGR APPR		



16160 Hwy 27 Lake Wales, FL 33859

TITLE		86 Gallon Plastic Tank	
SIZE	A	MATERIAL: Polyethylene, low density	REV 01
FILE NAME: 300086 01 19 10.dft			
PART#: 300086	WEIGHT: 37.749 lbm	SHEET 1 OF 1	

UNLESS OTHERWISE SPECIFIED
DIMENSIONS ARE IN INCHES
ANGLES ±0.5°
2 PL ±0.125" 3 PL ±0.060"