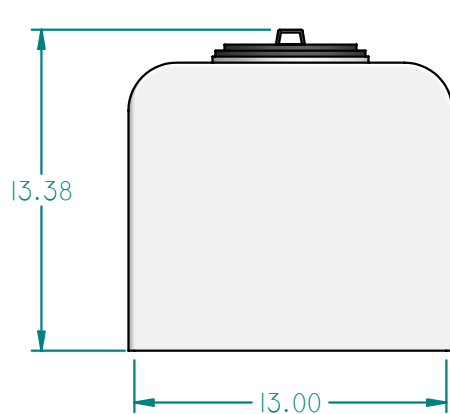
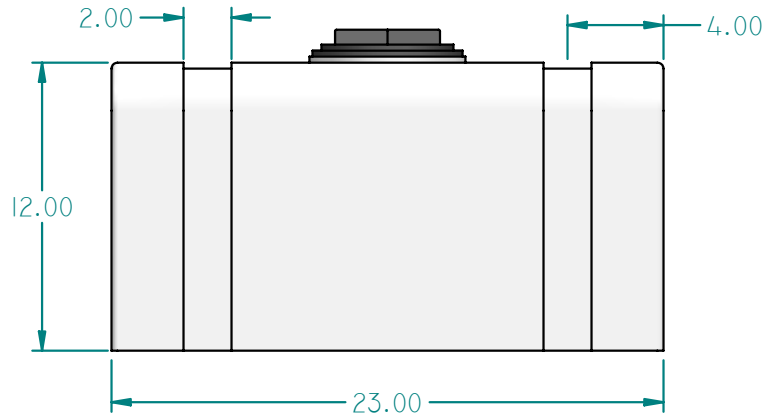


TOP VIEW



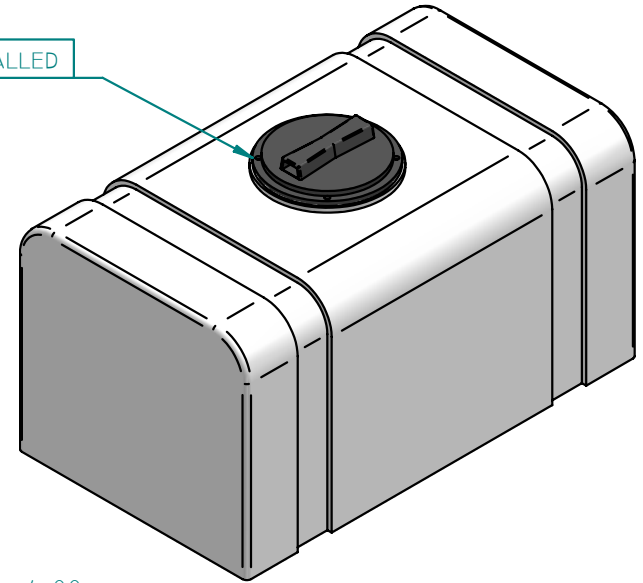
END VIEW



SIDE VIEW


REVISION HISTORY			
REV	DESCRIPTION	DATE	APPROVED

4" ACCESS INSTALLED  
ON CENTER



ISO VIEW

WALL THICKNESS: .200"

TANK CAPACITY: 15 GALLONS			 16160 Hwy 27 Lake Wales, FL 33859	
	NAME	DATE		
DRAWN	MPUTT	3/2/2005	15 GALLON LOAF TANK	
CHECKED			SIZE	MATERIAL: HDPE NATURAL
ENG APPR			A	
MGR APPR			FILE NAME: 920015.DFT	REV
UNLESS OTHERWISE SPECIFIED DIMENSIONS ARE IN INCHES ANGLES ±0.5° 2 PL ±0.125" 3 PL ±0.060"			PART#: 920015	WEIGHT: 0.000 LBM
			SHEET 1 OF 1	