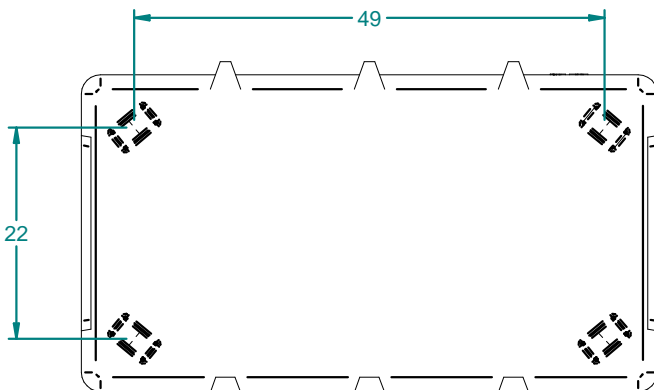
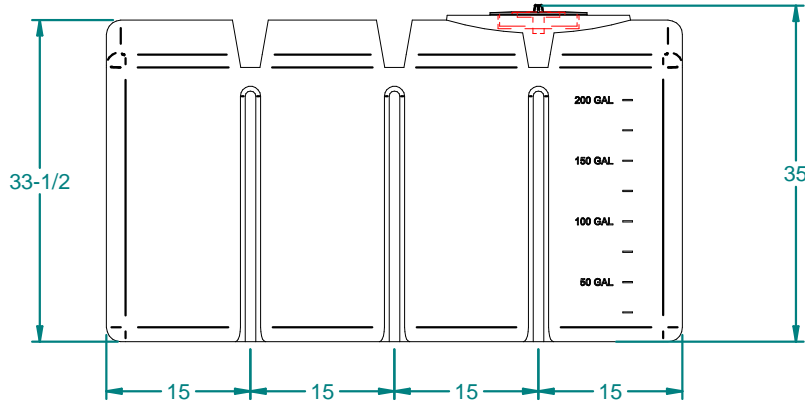
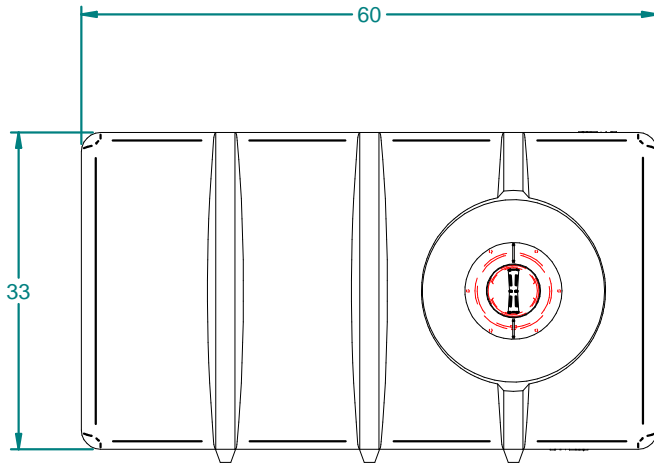


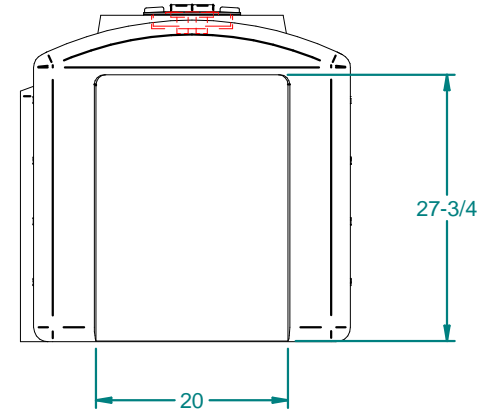
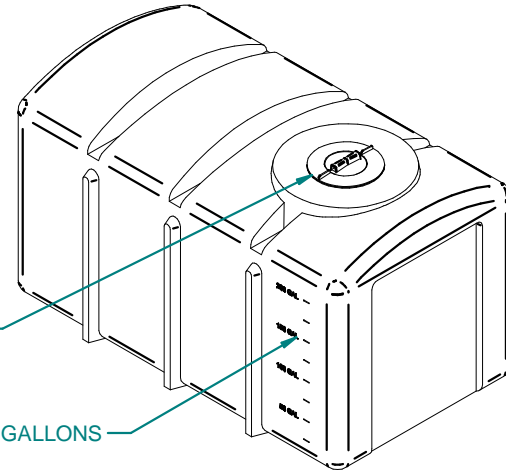
MAIN PRODUCT INFORMATION




REVISION HISTORY				
REV	DESCRIPTION	DATE	APPROVED	Revised By
00	PROTOTYPE RELEASE	03/18/11		

8 in MANWAY  
(16 in MANWAY OPTIONAL)

CALIBRATION GALLONS

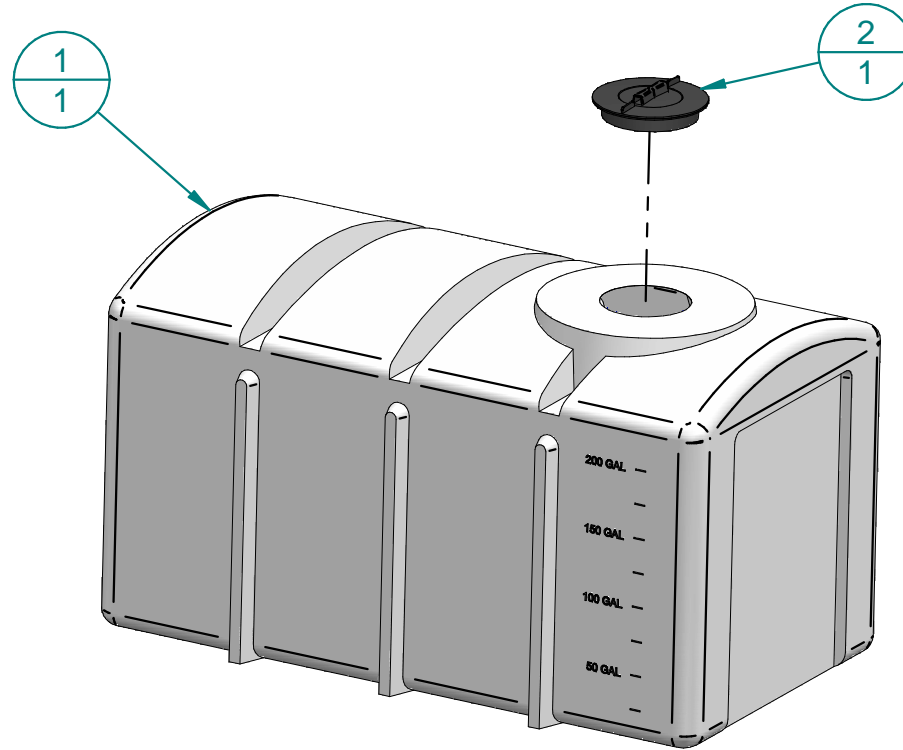



Weight: 125 lbm	NAME	DATE	 16160 Hwy 27 Lake Wales, FL. 33859	
Wall Thickness: 0.280 in	Drawn By: mnegron	3/10/2011		
Customer Part No: n/a	Customer APPR		Customer:	Dura-Cast Products, Inc.
Print Date: 3/18/2011	Copyright©2011 Dura-Cast Products, Inc.		Part Title:	200 Gal Loaf Tank
Comments: - UNLESS OTHERWISE SPECIFIED DIMENSIONS ARE IN INCHES - Std Radii 3/16"	UNLESS OTHERWISE SPECIFIED TOLERANCES ARE DIMS > 10" ±1% DIMS < 10" ±0.100 WALL THICKNESS ± 20% FLATNESS ± .030 in/in		File Name:	200 Gal Loaf Tank 02.dft
	Size: A	Material:	Rev:	00
	Part No: 920210-A0100XXI	Do Not Scale	Sheet:	1 OF 3

BILL OF MATERIALS PRODUCT INFORMATION

REVISION HISTORY

REV	DESCRIPTION	DATE	APPROVED	Revised By
00	PROTOTYPE RELEASE	03/18/11		

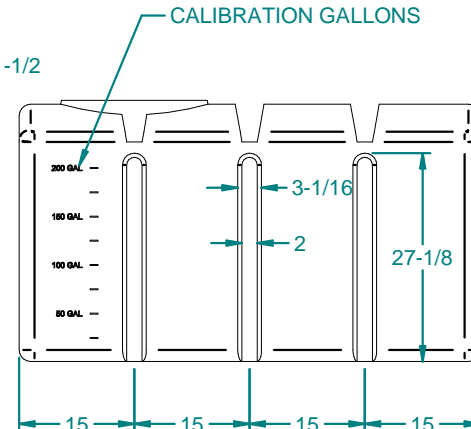
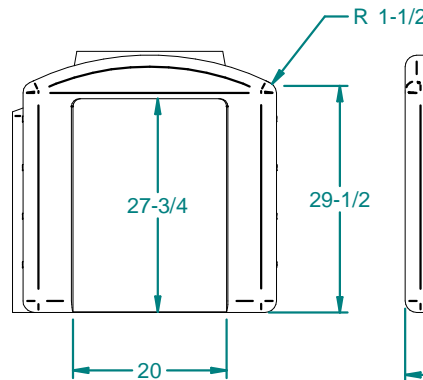
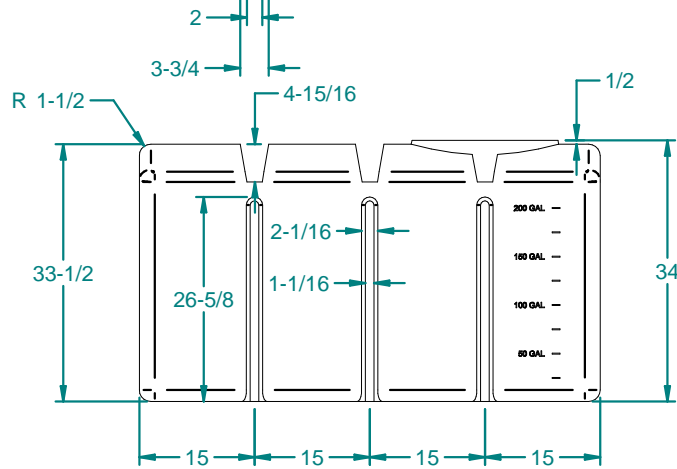
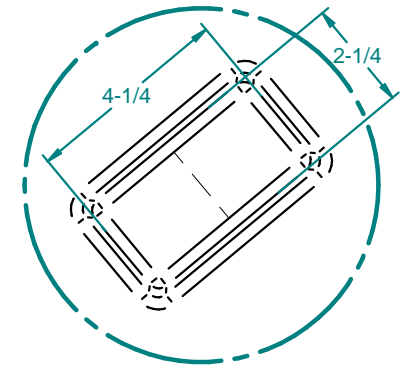
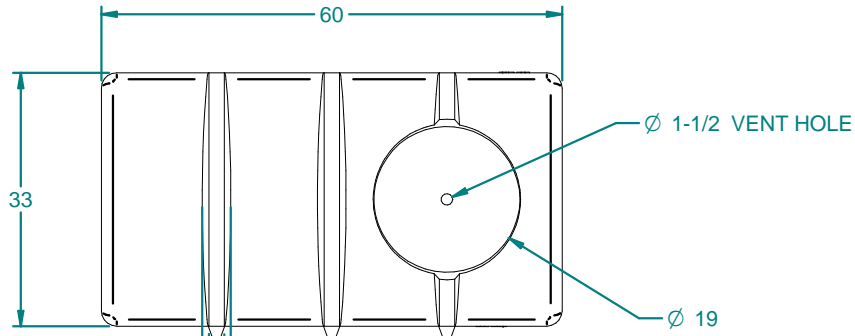


Item Number	Document Number	Title	Material	Quantity	Weight: 125 lbm	NAME	DATE	 16160 Hwy 27 Lake Wales, FL. 33859 Customer: Dura-Cast Products, Inc.		
1	920210-A0100X X1	200 Gal Loaf Tank	LLDPE 939	1	Wall Thickness: 0.280 in	Drawn By: mnegron	3/10/2011	Customer: Dura-Cast Products, Inc.		
2	751008	8" Vented Manway		1	Customer Part No: n/a	Customer APPR		Part Title: 200 Gal Loaf Tank		
					Print Date: 3/18/2011	Copyright © 2011 Dura-Cast Products, Inc.		File Name: 200 Gal Loaf Tank 02.dft		
					Comments: - UNLESS OTHERWISE SPECIFIED DIMENSIONS ARE IN INCHES - Std Radii 3/16"	UNLESS OTHERWISE SPECIFIED TOLERANCES ARE DIMS > 10" ±1% DIMS < 10" ±0.100 WALL THICKNESS ± 20% FLATNESS ± .030 in/in		Size: A	Material:	Rev: 00
								Part No: 920210-A0100XXI	Do Not Scale	Sheet: 2 OF 3

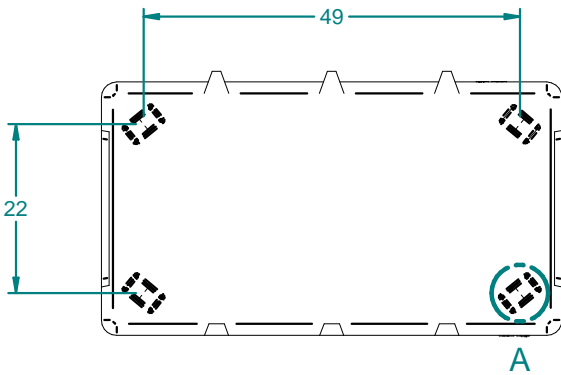
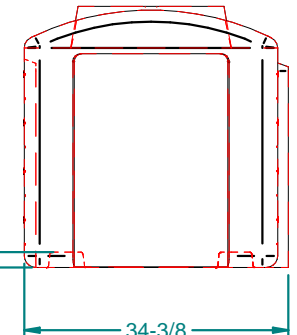
MOLDED PRODUCT INFORMATION


REVISION HISTORY

REV	DESCRIPTION	DATE	APPROVED	Revised By
00	PROTOTYPE RELEASE	03/18/11		



DETAIL A



Weight: 125 lbm	NAME	DATE		
Wall Thickness: 0.280 in	Drawn By: mnegron	3/10/2011		
Customer Part No: n/a	Customer APPR		16160 Hwy 27 Lake Wales, FL. 33859	
Print Date: 3/18/2011	Copyright © 2011 Dura-Cast Products, Inc.		Customer: Dura-Cast Products, Inc.	
Comments: - UNLESS OTHERWISE SPECIFIED DIMENSIONS ARE IN INCHES - Std Radii 3/16"	UNLESS OTHERWISE SPECIFIED TOLERANCES ARE DIMS > 10" ±1% DIMS < 10" ±0.100 WALL THICKNESS ± 20% FLATNESS ± .030 in/in		Part Title: 200 Gal Loaf Tank	
	File Name: 200 Gal Loaf Tank 02.dft	Size: A	Material:	Rev: 00
	Part No: 920210-A0100XXI	Do Not Scale	Sheet: 3 OF 3	