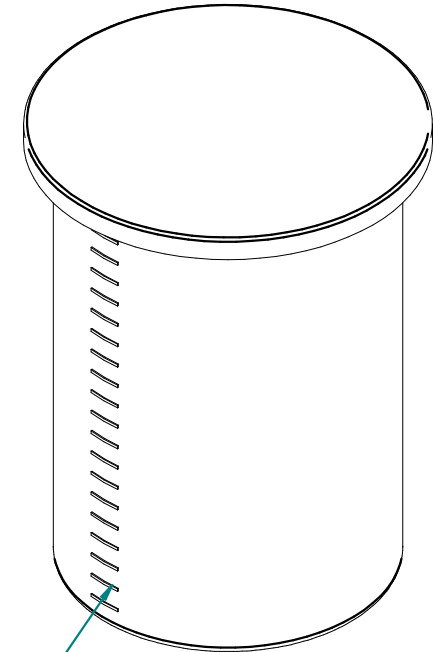
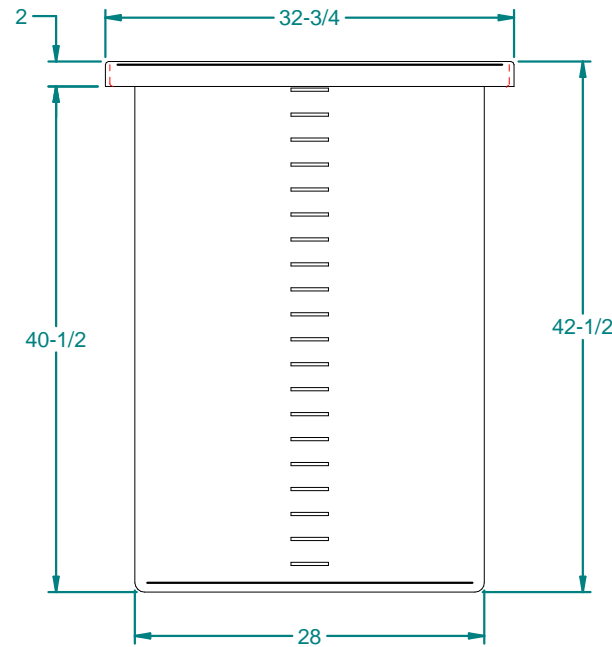
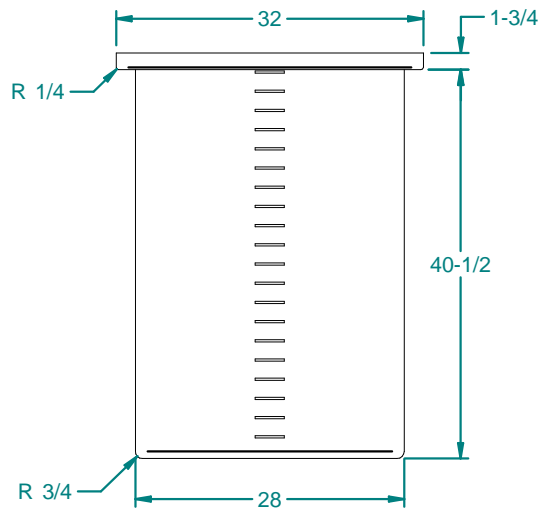
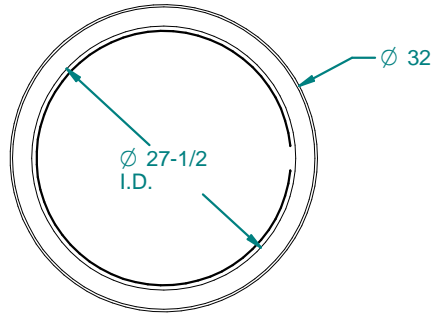
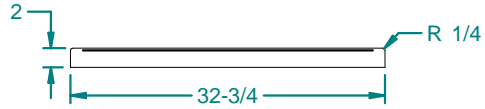



MAIN PRODUCT INFORMATION

REVISION HISTORY

REV	DESCRIPTION	DATE	APPROVED	Revised By
01	Existing Part Dimensional Drawing	11/2/2012		



Calibrated in 5 Gallon Increments

Weight: N/A	NAME	DATE	 16160 Hwy 27 Lake Wales, FL. 33859	
Wall Thickness: N/A	Drawn By: S. Arant	11/2/2012		
Customer Part No: N/A	Customer APPR		Customer: Dura-Cast Products, Inc.	
Print Date: 11/2/2012	COPYRIGHT © 2012 DURA-CAST PRODUCTS, INC.		Part Title: 100 Gallon Open Top Tank Base	
Comments: - UNLESS OTHERWISE SPECIFIED DIMENSIONS ARE IN INCHES - Std Radii 3/16"	UNLESS OTHERWISE SPECIFIED TOLERANCES ARE DIMS > 10" ±1% DIMS < 10" ±0.100 WALL THICKNESS ± 20% FLATNESS ± .030 in/in		File Name: 100 Gallon Open Top Tank.dft	
			Size: A	Material: LLDPE 939
Part No: 960100		Do Not Scale	Sheet: 1 OF 1	