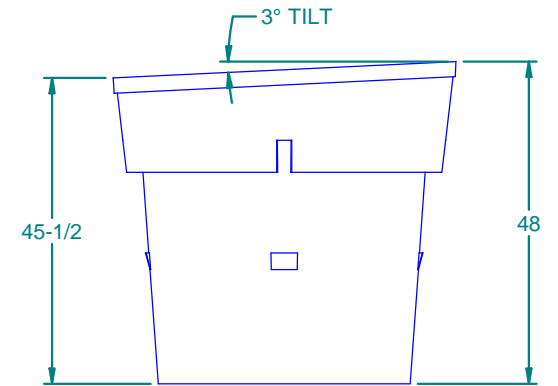
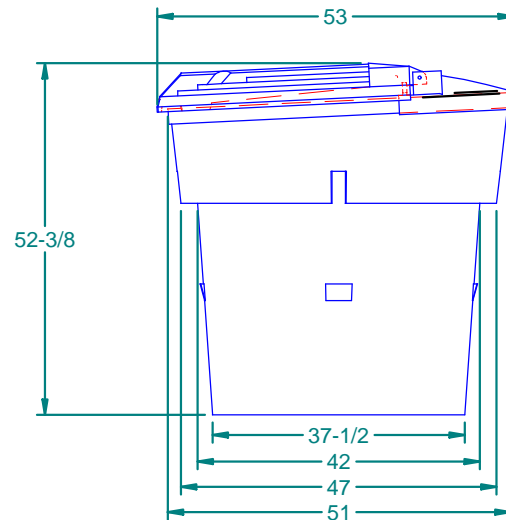
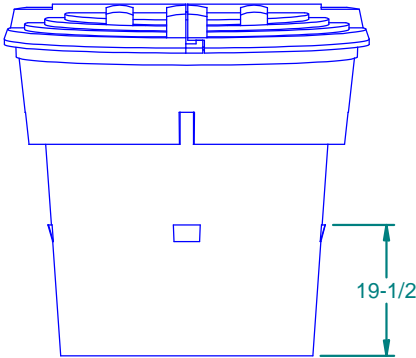
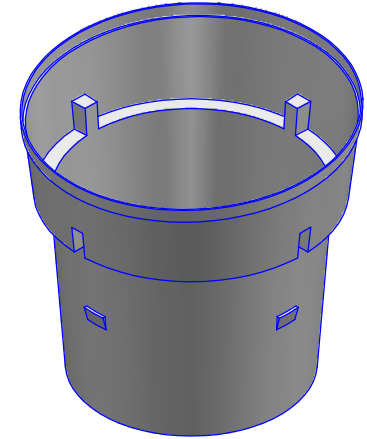
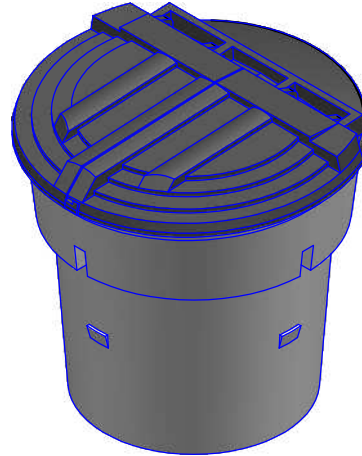
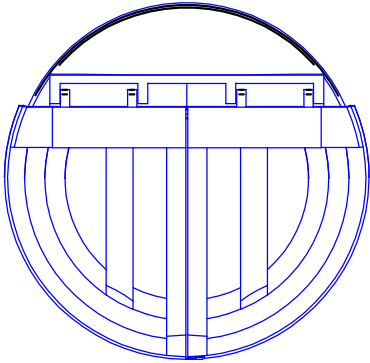



MAIN PRODUCT INFORMATION

REVISION HISTORY

REV	DESCRIPTION	DATE	APPROVED	Revised By
00	PRODUCT RELEASED	09/25/09		

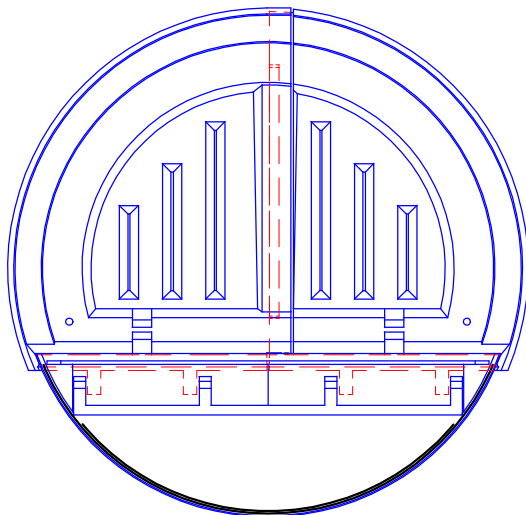
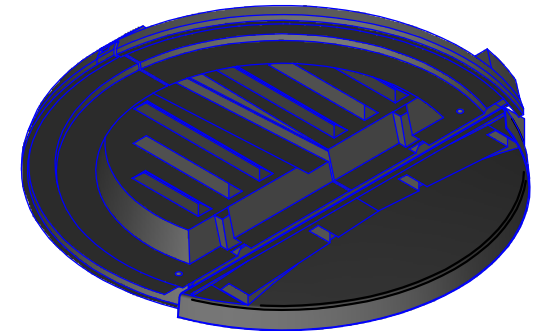
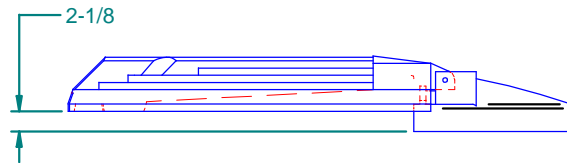
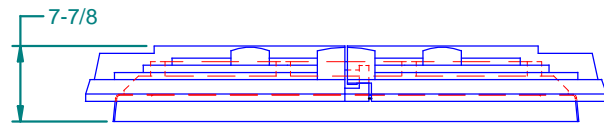
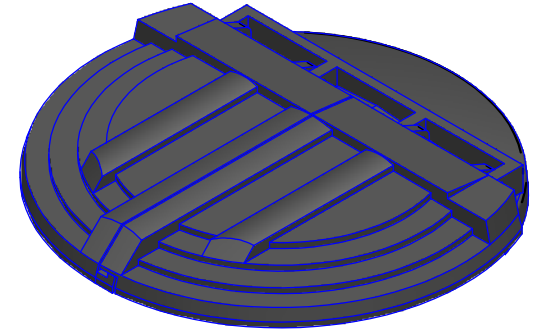
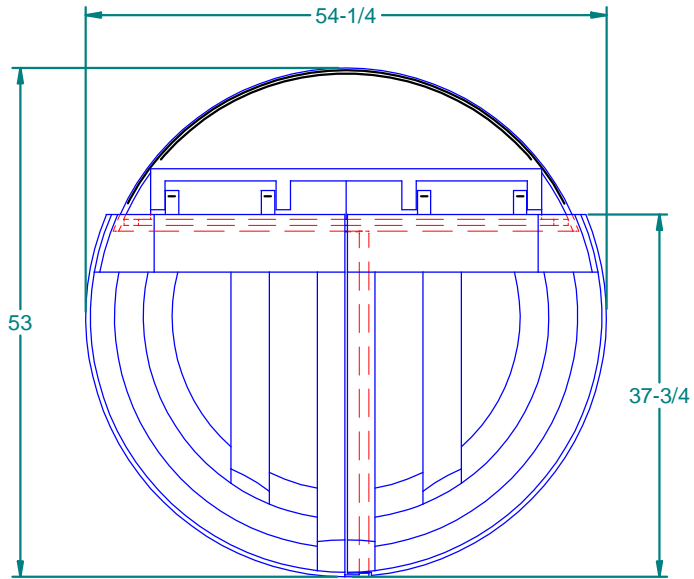



Weight: 0.000 lbm	NAME	DATE	 16160 Hwy 27 Lake Wales, FL. 33859	
Wall Thickness: Name?Thinwall_L_Thickness	Drawn By: mnegron	8/17/2009		
Customer Part No: Name?Customer Part No	Customer APPR		Customer: Dura-Cast Products, Inc.	
Print Date: 9/29/2009	Copyright © 2007 Dura-Cast Products, Inc.		Part Title: 300 Gal Refuse Container - Split Lid	
Comments: - UNLESS OTHERWISE SPECIFIED DIMENSIONS ARE IN INCHES - Std Radii 3/16"	Tolerance: UNLESS OTHERWISE SPECIFIED TOLERANCES ARE ±1%		File Name: 300 Gal Refuse - Split Lid.dft	
	Size: A	Material:	Rev: 00	
	Part No:	Do Not Scale	Sheet:	1 OF 6

LID ASSEMBLY INFORMATION

REVISION HISTORY

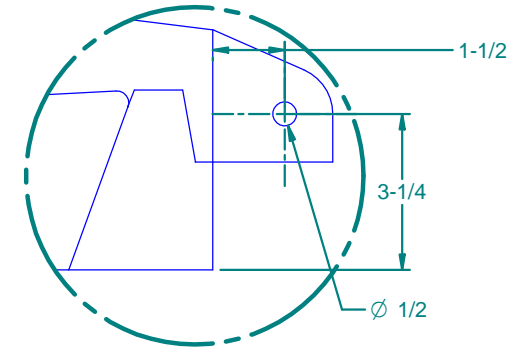
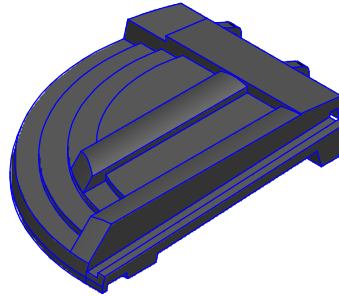
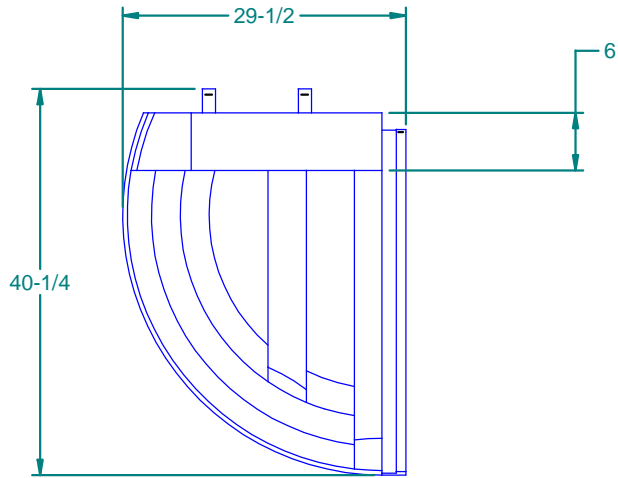
REV	DESCRIPTION	DATE	APPROVED	Revised By
00	PRODUCT RELEASED	09/25/09		



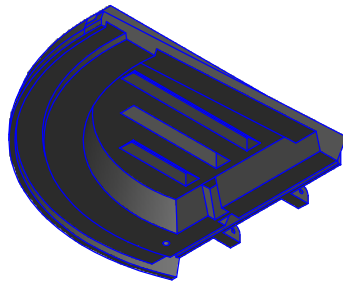
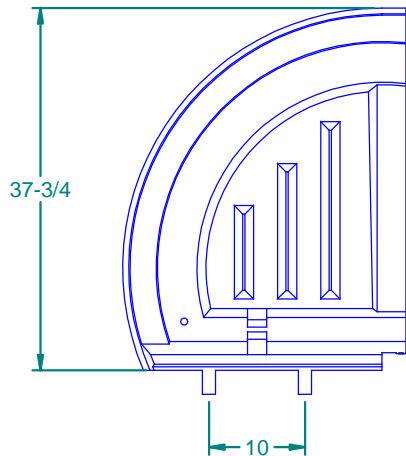
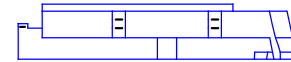
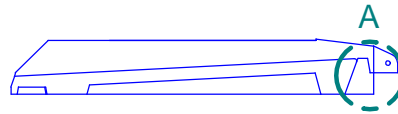
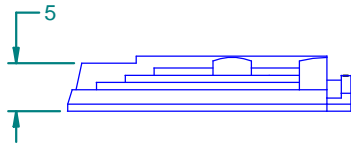
Weight: 0.000 lbm	NAME	DATE	 16160 Hwy 27 Lake Wales, FL. 33859	
Wall Thickness: Name?Thinwall...Thickness	Drawn By: mnegron	8/17/2009		
Customer Part No: Name?Customer Part No	Customer APPR		Customer: Dura-Cast Products, Inc.	
Print Date: 9/29/2009	Copyright ©2007 Dura-Cast Products, Inc.		Part Title: 300 Gal Refuse Container - Split Lid	
Comments: - UNLESS OTHERWISE SPECIFIED DIMENSIONS ARE IN INCHES - Std Radii 3/16"	Tolerance: UNLESS OTHERWISE SPECIFIED TOLERANCES ARE ±1%		File Name: 300 Gal Refuse - Split Lid.dft	
	Size: A	Material:	Rev: 00	
	Part No:	Do Not Scale	Sheet: 2 OF 6	


SPLIT LID: LEFT SIDE

MOLDED AND FINISHED DRAWING  
FINISH PART AS SHOWN



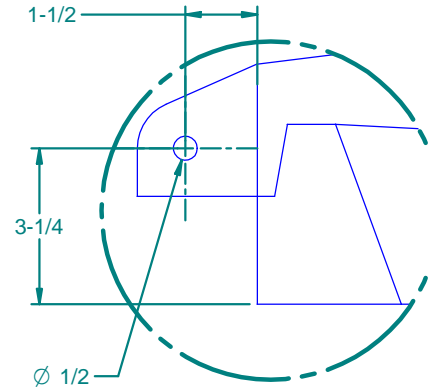
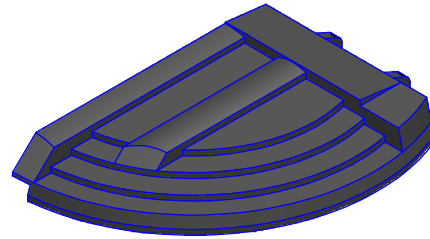
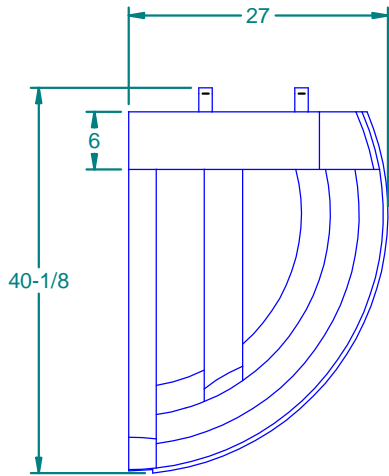
DETAIL A



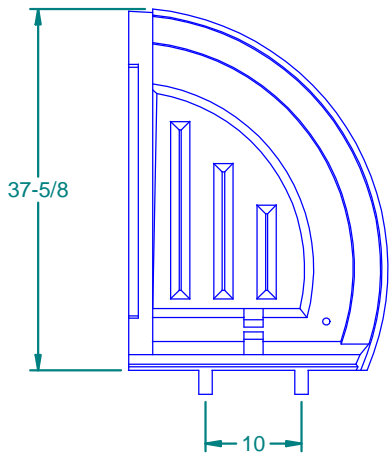
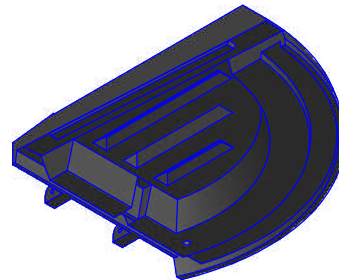
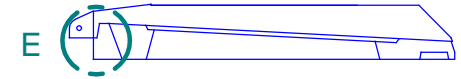
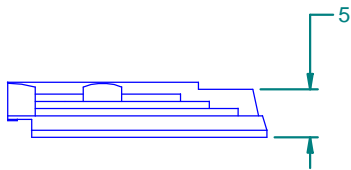
Weight: 0.000 lbm	NAME	DATE	 16160 Hwy 27 Lake Wales, FL. 33859	
Wall Thickness: Name?Thinwall_L_Thickness	Drawn By: mnegron	8/17/2009		
Customer Part No: Name?Customer Part No	Customer APPR		Customer: Dura-Cast Products, Inc.	
Print Date: 9/29/2009	Copyright ©2007 Dura-Cast Products, Inc.		Part Title: 300 Gal Refuse Container - Split Lid	
Comments: - UNLESS OTHERWISE SPECIFIED DIMENSIONS ARE IN INCHES - Std Radii 3/16"	Tolerance: UNLESS OTHERWISE SPECIFIED TOLERANCES ARE ±1%		File Name: 300 Gal Refuse - Split Lid.dft	
	Size: A	Material:	Rev: 00	
Part No: 652310-A0101XX1		Do Not Scale	Sheet:	3 OF 6

SPLIT LID: RIGHT SIDE


MOLDED AND FINISHED DRAWING  
FINISH PART AS SHOWN



DETAIL E



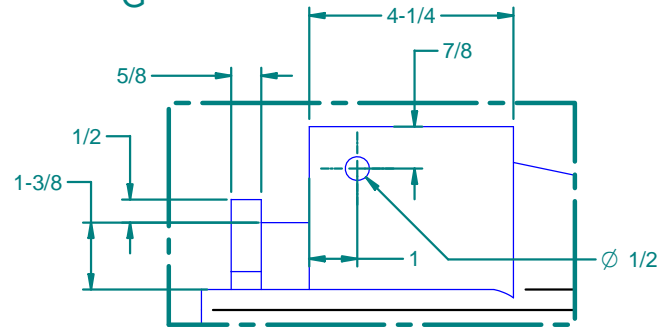
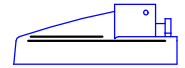
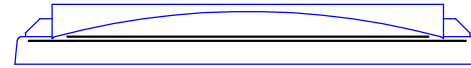
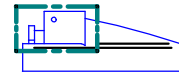
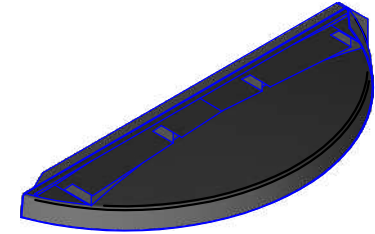
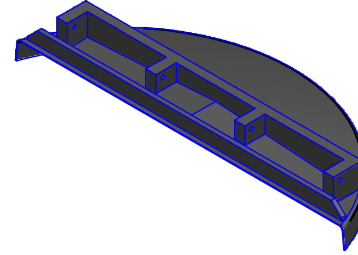
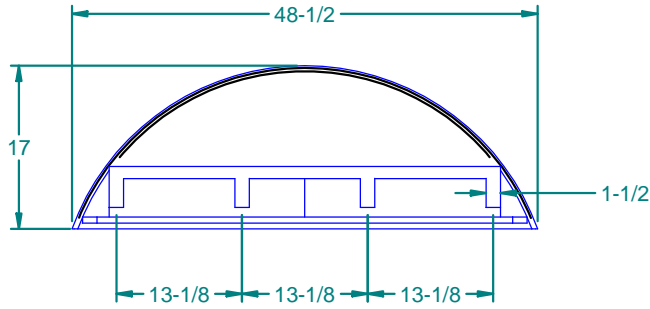
REVISION HISTORY				
REV	DESCRIPTION	DATE	APPROVED	Revised By
00	PRODUCT RELEASED	09/25/09		

Weight: 0.000 lbm	NAME	DATE	 16160 Hwy 27 Lake Wales, FL. 33859			
Wall Thickness: <small>Name?Thinwall...Thickness</small>	Drawn By: mnegron	8/17/2009				
Customer Part No: <small>Name?Customer Part No</small>	Customer APPR		Customer: Dura-Cast Products, Inc.			
Print Date: 9/29/2009	Copyright © 2007 Dura-Cast Products, Inc.		Part Title: 300 Gal Refuse Container - Split Lid			
Comments: - UNLESS OTHERWISE SPECIFIED DIMENSIONS ARE IN INCHES - Std Radii 3/16"	Tolerance: UNLESS OTHERWISE SPECIFIED TOLERANCES ARE ±1%		File Name: 300 Gal Refuse - Split Lid.dft			
			Size: A	Material:	Rev: 00	
			Part No: 651310-A0101XX1	Do Not Scale	Sheet: 4 OF 6	

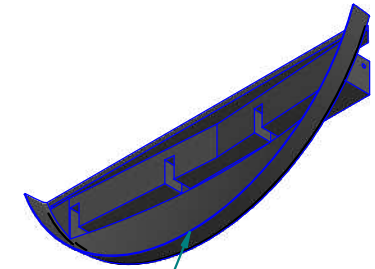
SPLIT LID: REAR SIDE  
FINISH PART DRAWING

REVISION HISTORY

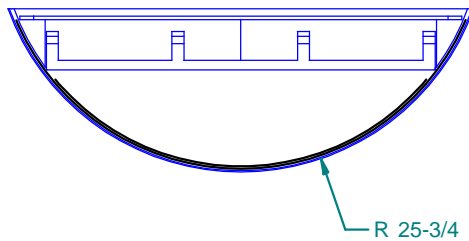
REV	DESCRIPTION	DATE	APPROVED	Revised By
00	PRODUCT RELEASED	09/25/09		




DETAIL G



SEPARATE TWO PARTS

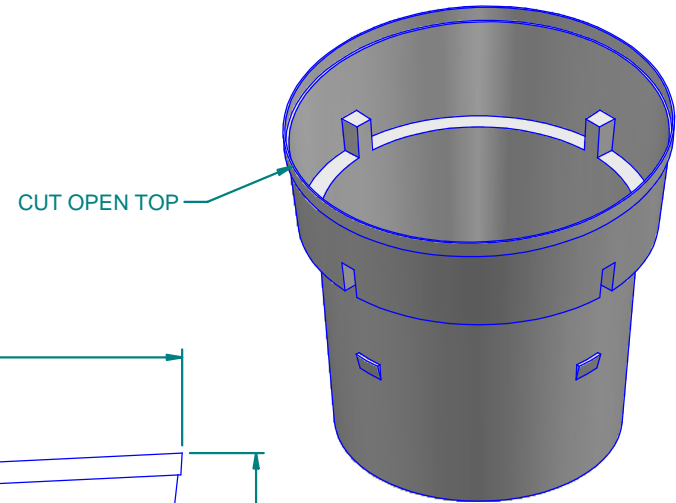
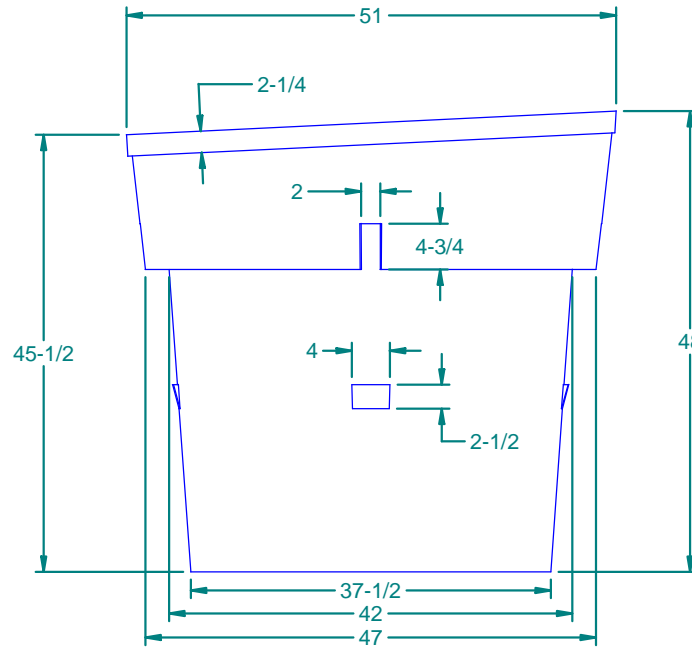
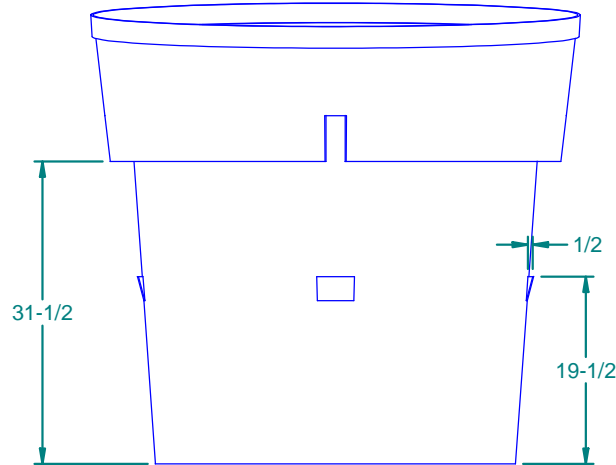
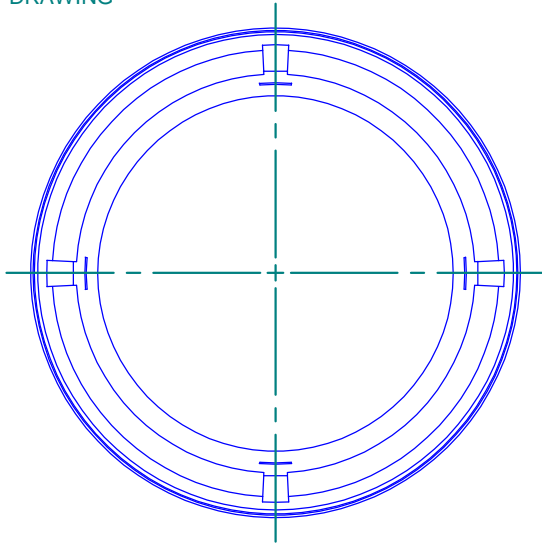



Weight: 0.000 lbm	NAME	DATE	 16160 Hwy 27 Lake Wales, FL. 33859	
Wall Thickness: Name?Thinwall...Thickness	Drawn By: mnegron	8/17/2009		
Customer Part No: Name?Customer Part No	Customer APPR		Customer: Dura-Cast Products, Inc.	
Print Date: 9/29/2009	Copyright © 2007 Dura-Cast Products, Inc.		Part Title: 300 Gal Refuse Container - Split Lid	
Comments: - UNLESS OTHERWISE SPECIFIED DIMENSIONS ARE IN INCHES - Std Radii 3/16"	Tolerance: UNLESS OTHERWISE SPECIFIED TOLERANCES ARE ±1%		File Name: 300 Gal Refuse - Split Lid.dft	
	Size: A	Material:	Rev: 00	
Part No: 653300-A0101XX1		Do Not Scale	Sheet: 5 OF 6	

CONTAINER  
FINISH PART DRAWING

REVISION HISTORY

REV	DESCRIPTION	DATE	APPROVED	Revised By
00	PRODUCT RELEASED	09/25/09		



Weight: 0.000 lbm	NAME	DATE	 16160 Hwy 27 Lake Wales, FL. 33859	
Wall Thickness: Name?Thinwall...Thickness	Drawn By: mnegron	8/17/2009		
Customer Part No: Name?Customer Part No	Customer APPR		Customer: Dura-Cast Products, Inc.	
Print Date: 9/29/2009	Copyright ©2007 Dura-Cast Products, Inc.		Part Title: 300 Gal Refuse Container - Split Lid	
Comments: - UNLESS OTHERWISE SPECIFIED DIMENSIONS ARE IN INCHES - Std Radii 3/16"	Tolerance: UNLESS OTHERWISE SPECIFIED TOLERANCES ARE ±1%		File Name: 300 Gal Refuse - Split Lid.dft	
	Size: A	Material:	Rev: 00	
	Part No: 650300-A0301XX1	Do Not Scale	Sheet: 6 OF 6	