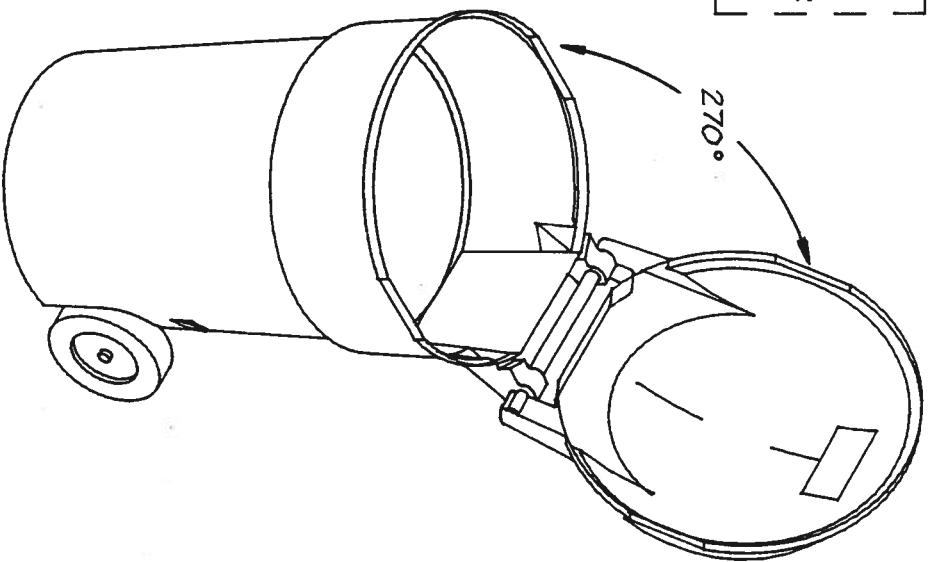
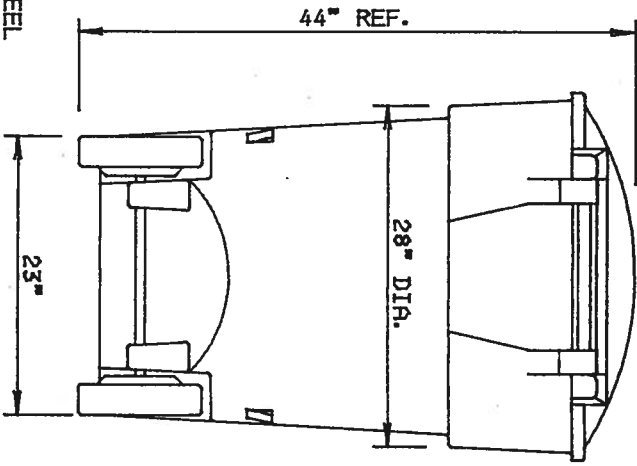
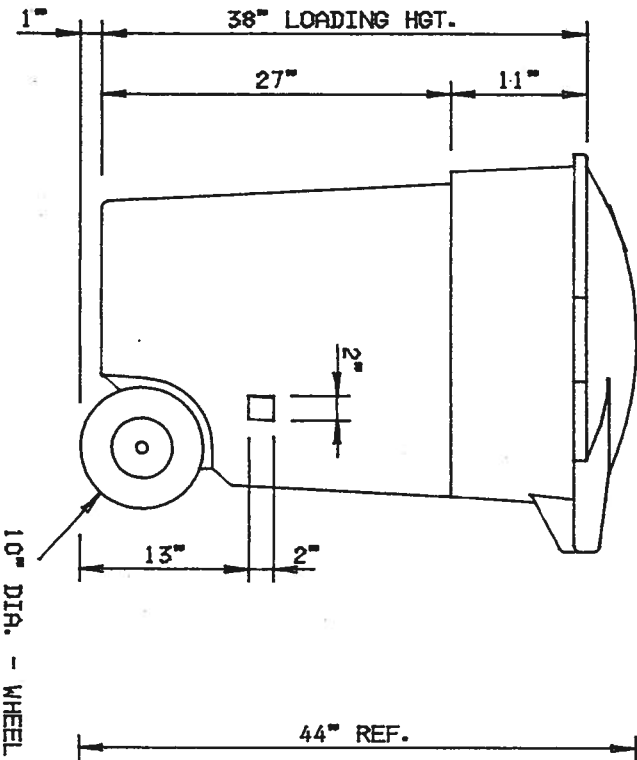


USE FOR COMMON TRASH ONLY
KEEP LID CLOSED.
DO NOT PLACE HOT ASHES, COALS OR
HEAVY OBJECTS IN THIS CONTAINER

DETAIL " B "



FOR FULLY AUTOMATED PICK-UP,
ARROWS MUST POINT TOWARD
CENTER OF STREET.

DETAIL " A "

ROTONICS MFG. INC.
17038 SOUTH FIGUEROA ST.
GARDENA, CA. 90248
(310) 327-5401

90 GAL. REFUSE CONTAINER.
AUTO - CART

DRAWN BY: Dpham	DESIGN BY:	DATE: 10-06-95	SCALE: NONE	DWG. NO. S-1240
--------------------	------------	-------------------	----------------	--------------------