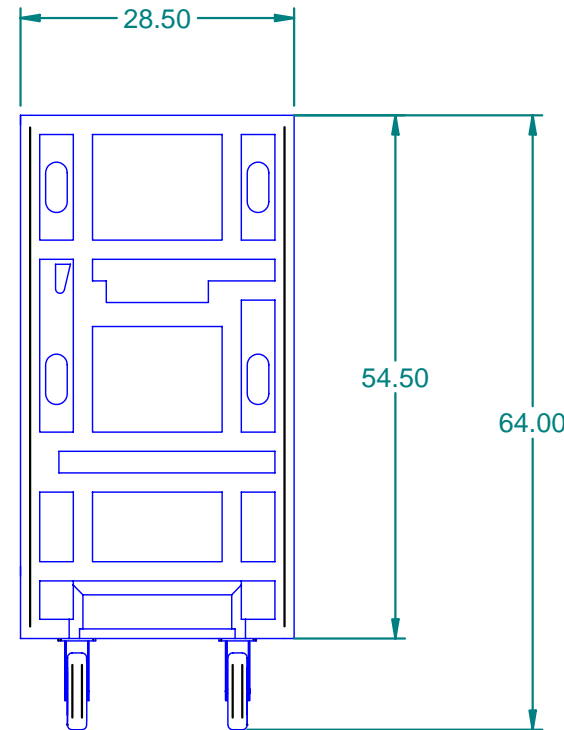
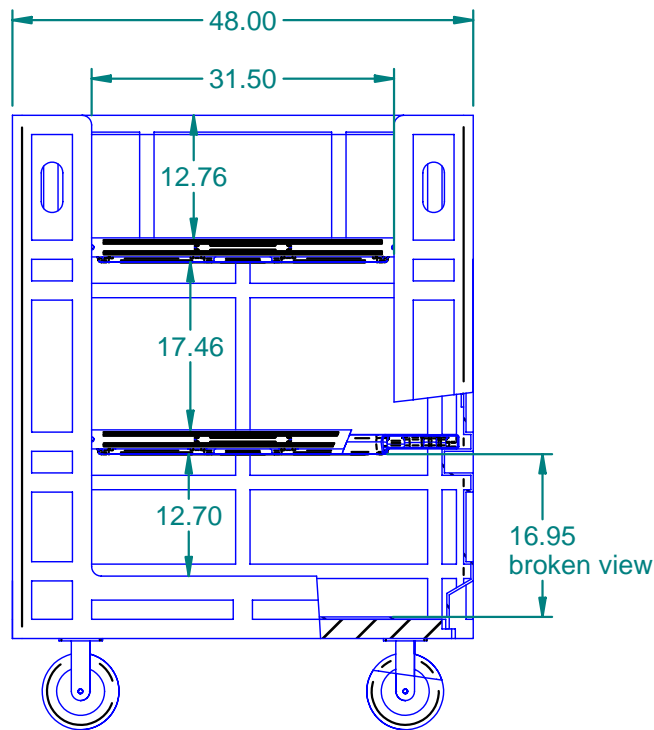
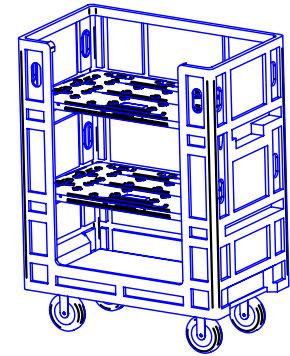
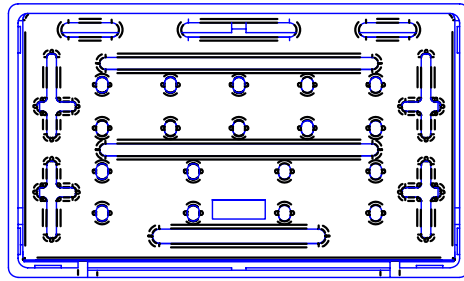



REVISION HISTORY

REV	DESCRIPTION	DATE	APPROVED



DRAWN		NAME	DATE	 16160 Hwy 27 Lake Wales, FL 33859
CHECKED		mnegron	5/8/2006	
ENG APPR				
MGR APPR				
UNLESS OTHERWISE SPECIFIED DIMENSIONS ARE IN INCHES ANGLES ±0.5° 2 PL ±0.125" 3 PL ±0.060"				TITLE Exchange Truck SIZE A MATERIAL: Polyethylene, LMDPE 8460 REV
PART#: 402100		WEIGHT: 0.000 lbm		SHEET 1 OF 1

FILE NAME: Exchange Truck.dft