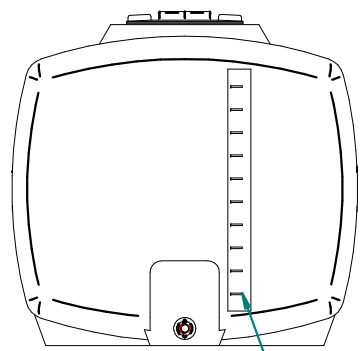
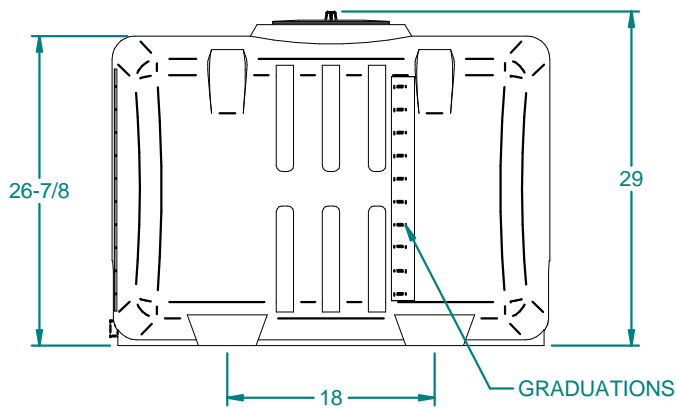


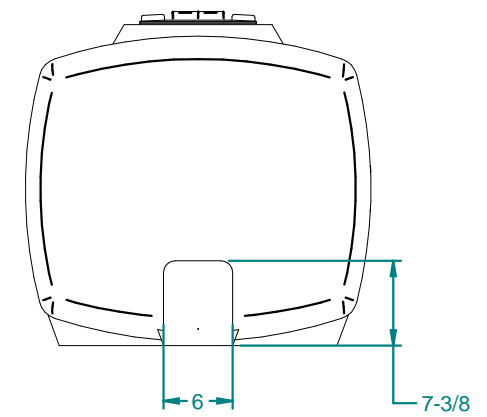
BOTTOM VIEW




GRADUATIONS



GRADUATIONS



REVISION HISTORY				
REV	DESCRIPTION	DATE	APPROVED	Revised By
00	PROTOTYPE RELEASE	12/23/13		

Weight: 55 lbm	NAME	DATE	 16160 Hwy 27 Lake Wales, FL. 33859			
Wall Thickness: 0.312 in	Drawn By: mnegron	12/18/2013				
Customer Part No: N/A	Customer APPR		Customer:	Dura-Cast Products, Inc.		
Print Date: 12/23/2013	COPYRIGHT © 2013 DURA-CAST PRODUCTS, INC.		Part Title:	100 Gallons PCO Tank		
Comments: - UNLESS OTHERWISE SPECIFIED DIMENSIONS ARE IN INCHES - Std Radii 3/16"	UNLESS OTHERWISE SPECIFIED TOLERANCES ARE DIMS > 10" ±1% DIMS < 10" ±0.100 WALL THICKNESS ± 20% FLATNESS ± .030 in/in		File Name:	100 Gallon PCO Tank 01.dft		
			Size: A	Material:	LLDPE 939	Rev: 00
			Part No:	920101-A0100XXI	Do Not Scale	Sheet: