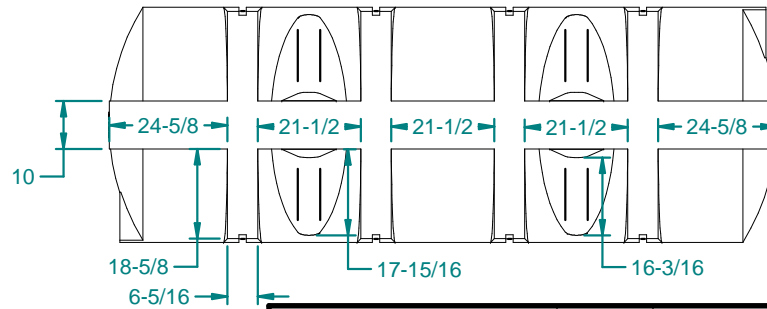
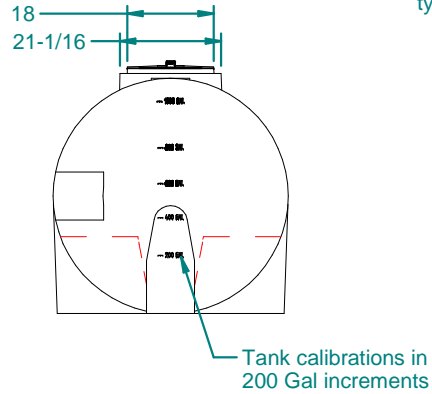
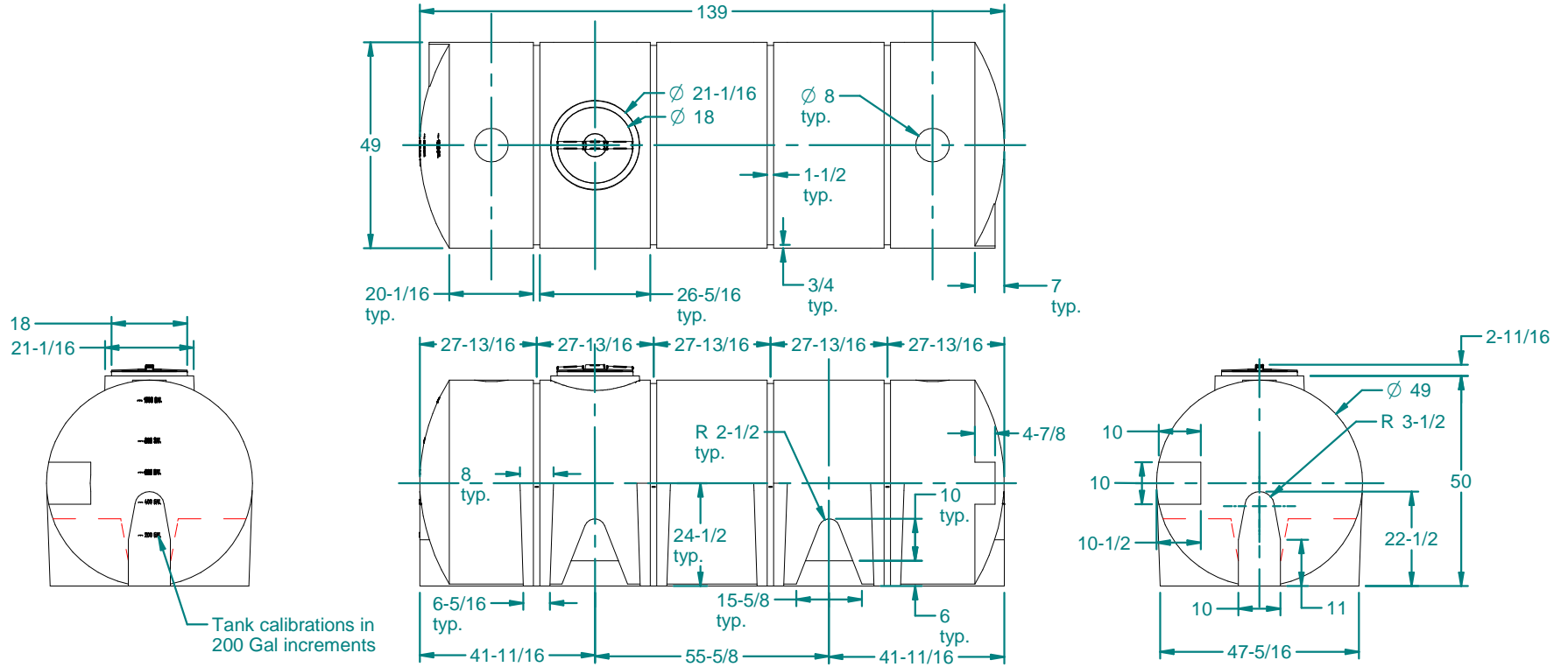



MAIN PRODUCT INFORMATION

REVISION HISTORY

REV	DESCRIPTION	DATE	APPROVED	Revised By
00	Prototype Release	9/11/2012		



Weight: 299.679 lbm	NAME	DATE	 16160 Hwy 27 Lake Wales, FL. 33859		
Wall Thickness: 0.313 in	Drawn By: S. Arant	9/11/2012			
Customer Part No: N/A	Customer APPR		Customer: Dura-Cast Products, Inc.		
Print Date: 10/13/2012	COPYRIGHT@2011 DURA-CAST PRODUCTS, INC.		Part Title: 1025 Gallon Horizontal Leg Tank		
Comments: - UNLESS OTHERWISE SPECIFIED DIMENSIONS ARE IN INCHES - Std Radii 3/16"	UNLESS OTHERWISE SPECIFIED TOLERANCES ARE DIMS > 10" ±1% DIMS < 10" ±0.100 WALL THICKNESS ± 20% FLATNESS ± .030 in/in		File Name: 1025 Gallon Horizontal Leg Tank 12 10 09.dft		
			Size: A	Material: HDPE 942	Rev: 00
			Part No: 921026-A1200XXI	Do Not Scale	Sheet: 1 OF 3

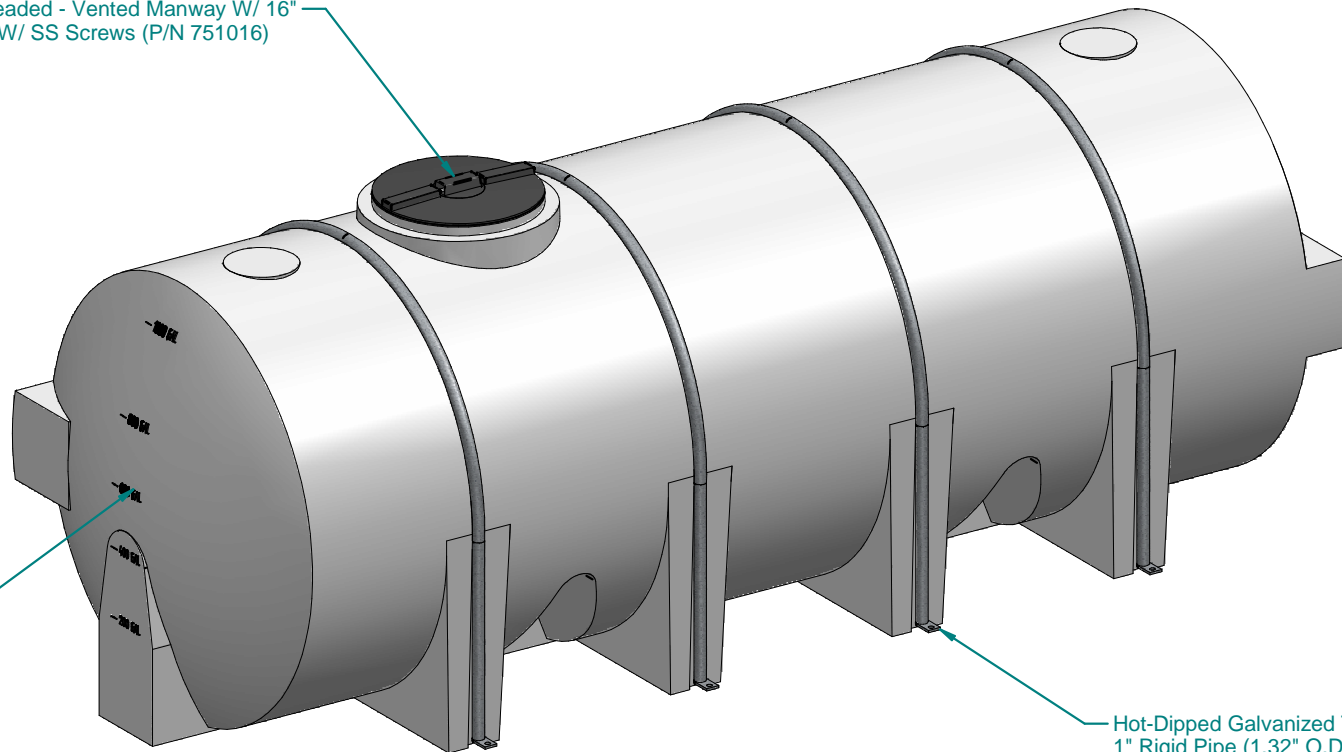
SECONDARY PRODUCT INFORMATION

REVISION HISTORY


REV	DESCRIPTION	DATE	APPROVED	Revised By
00	Prototype Release	9/11/2012		

18" HDPE Threaded - Vented Manway W/ 16" Access, Black, W/ SS Screws (P/N 751016)

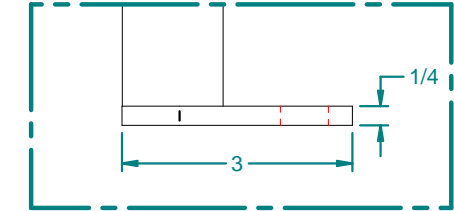
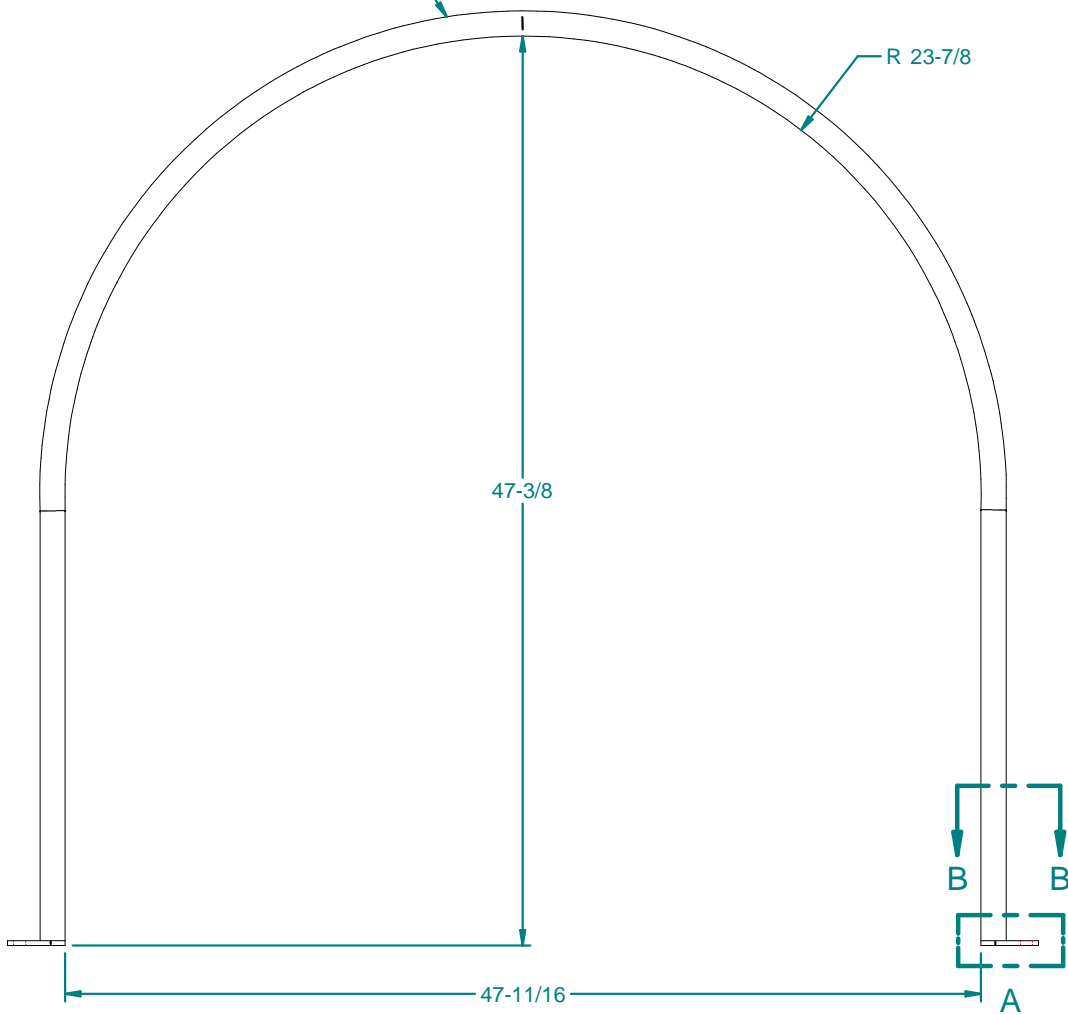
Tank calibrations in 200 Gal increments



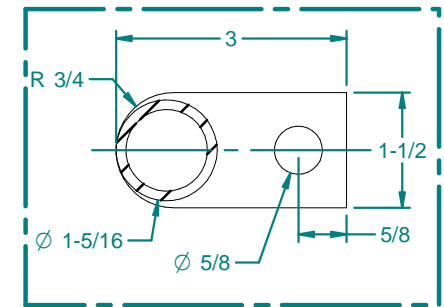
Hot-Dipped Galvanized Tank Bands, 1" Rigid Pipe (1.32" O.D., 0.13 Wall), 1.5" x 3" x 1/4" Foot w/ 5/8" Through-Hole

Weight: 369.168 lbm		NAME	DATE	 16160 Hwy 27 Lake Wales, FL. 33859
Wall Thickness: 0.313 in	Drawn By: S. Arant	9/11/2012		
Customer Part No: N/A	Customer APPR			Customer: Dura-Cast Products, Inc.
Print Date: 10/13/2012	COPYRIGHT © 2011 DURA-CAST PRODUCTS, INC.			Part Title: 1025 Gallon Horizontal Leg Tank
Comments: - UNLESS OTHERWISE SPECIFIED DIMENSIONS ARE IN INCHES - Std Radii 3/16"	UNLESS OTHERWISE SPECIFIED TOLERANCES ARE DIMS < 10" ±1% DIMS < 10" ±0.100 WALL THICKNESS ± 20% FLATNESS ± .030 in/in			File Name: 1025 Gallon Horizontal Leg Tank 12 10 09.dft
	Size: A	Material: HDPE 942		Rev: 00
	Part No: 921026-A1200XXI	Do Not Scale	Sheet: 2 OF 3	

Hot-Dipped Galvanized Tank Band,  
1" Rigid Pipe (1.32" O.D., 0.13 Wall),  
3" x 1-1/2" x 1/4" Foot w/ 5/8" Through-Hole



DETAIL A



SECTION B-B

REVISION HISTORY

REV	DESCRIPTION	DATE	APPROVED	Revised By
00	Prototype Release	9/11/2012		

Weight: 17.011 lbm	NAME S. Arant	DATE 9/11/2012	 16160 Hwy 27 Lake Wales, FL. 33859		
Wall Thickness: N/A	Drawn By:				
Customer Part No: N/A	Customer APPR		Customer:	Dura-Cast Products, Inc.	
Print Date: 10/13/2012	COPYRIGHT © 2011 DURA-CAST PRODUCTS, INC.		Part Title:	I025 Gallon Horizontal Leg Tank	
Comments: - UNLESS OTHERWISE SPECIFIED DIMENSIONS ARE IN INCHES - Std Radii 3/16"	UNLESS OTHERWISE SPECIFIED TOLERANCES ARE DIMS > 10" ±1% DIMS < 10" ±0.100 WALL THICKNESS ± 20% FLATNESS ± .030 in/in		File Name:	I025 Gallon Horizontal Leg Tank 12 10 09.dft	
			Size: A	Material: Steel	Rev: 00
			Part No:	921026-F0XXXXXXI	Do Not Scale