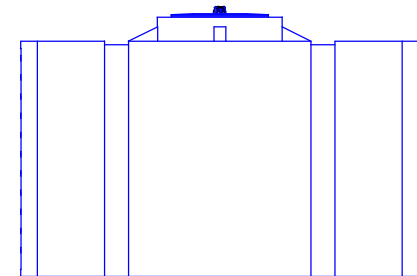
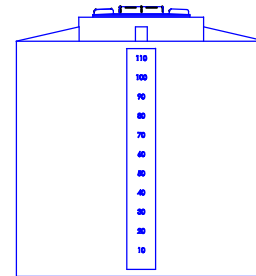
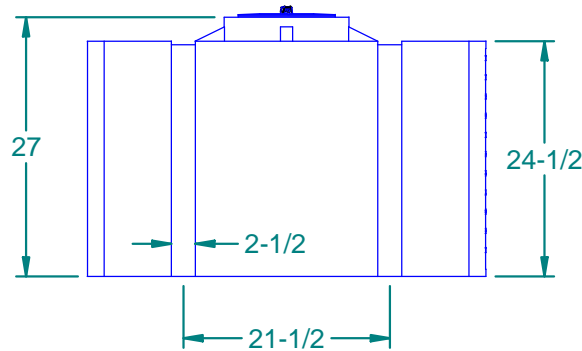
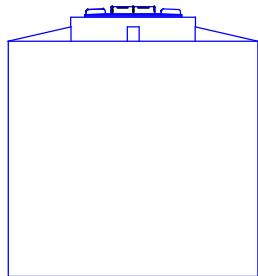
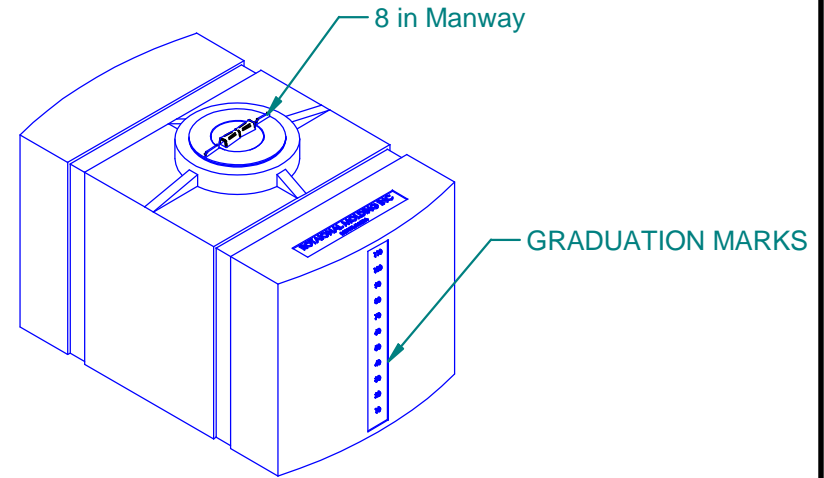
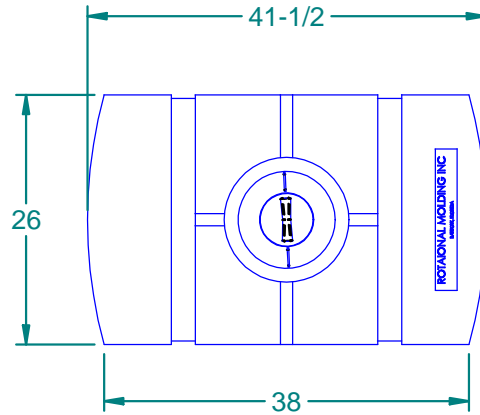



MAIN PRODUCT INFORMATION

REVISION HISTORY

REV	DESCRIPTION	DATE	APPROVED	Revised By
A	Initial Design Release	1/7/2009		



Weight: 44.551 lbm	NAME	DATE	 Rotomolding Plastic for the Future 16160 Hwy 27 Lake Wales, FL. 33859		
Wall Thickness: 0.250	Drawn By: mnegron	1/7/2009			
Customer Part No: n/a	Customer APPR		Customer:	Dura-Cast Products, Inc.	
Print Date: 1/7/2009	Copyright © 2007 Dura-Cast Products, Inc.		Part Title:	110 Gal Loaf Tank	
Comments: - UNLESS OTHERWISE SPECIFIED DIMENSIONS ARE IN INCHES - Std Radii 3/16"	Tolerance:		File Name:	110 Gal Loaf Tank.dft	
	UNLESS OTHERWISE SPECIFIED TOLERANCES ARE ±1%		Size: A	Material: Polyethylene, low density	Rev: A
	Part No: 920110-A0100XX1	Do Not Scale	Sheet:	1 OF 1	