

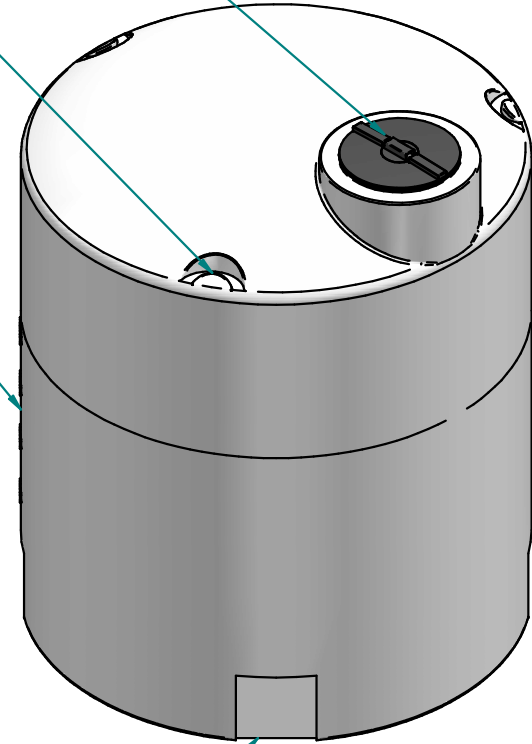
Top View

TANK TIE DOWN AREAS
120° APART
60° FROM MANWAY

TANK IS CALIBRATED
IN 200 GAL INCREMENTS
UP TO 1000 GALLONS
ALIGNED WITH FLAT SPOT

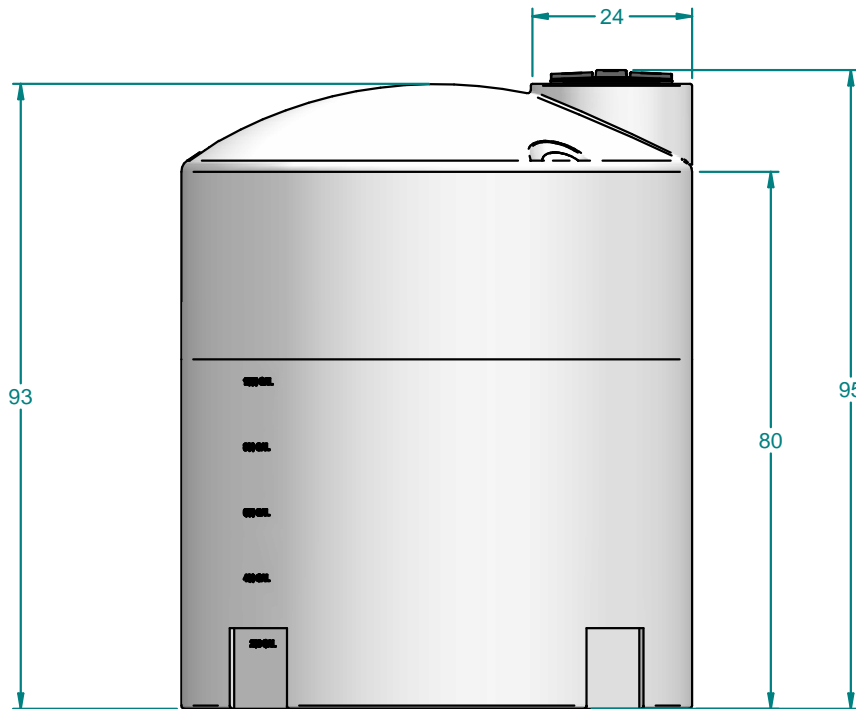
REVISION HISTORY			
REV	DESCRIPTION	DATE	APPROVED
10	UPDATED DRAWING ACCORDING TO CURRENT TANK	03/30/11	

16" MANWAY




ISO View

FLAT SPOT
90° APART
45° FROM MANWAY



Side View

wall thickness: 0.300"

 16160 Hwy 27 Lake Wales, FL 33859		
DRAWN	NAME: mnegron	DATE: 3/30/2011
CHECKED		
ENG APPR		
MGR APPR		
TITLE: V-1700 Gallon Tank		REV: 10
SIZE: A	MATERIAL: hdpe natural (200)	
FILE NAME: 901750 01.dft		
PART#: 901750	WEIGHT: 299.420 lbm	SHEET 1 OF 1

UNLESS OTHERWISE SPECIFIED
DIMENSIONS ARE IN INCHES
ANGLES ±0.5°
2 PL ±0.125" 3 PL ±0.060"