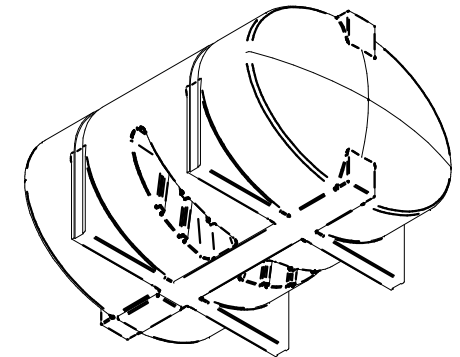
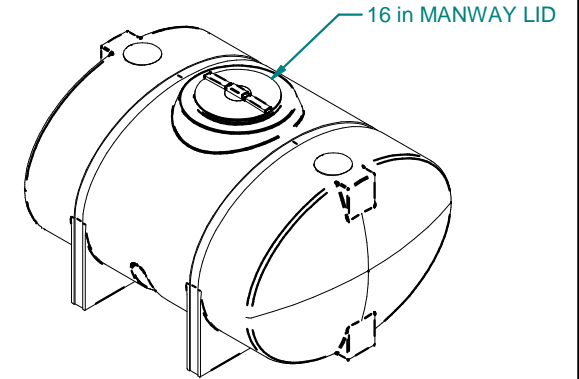



REVISION HISTORY

REV	DESCRIPTION	DATE	APPROVED	Revised By
00	RE-DRAWN IN SE.	02/28/14		



Weight: 220 lbm	NAME	DATE	 16160 Hwy 27 Lake Wales, FL. 33859			
Wall Thickness: 0.312 in	Drawn By: mnegron	2/27/2014				
Customer Part No: n/a	Customer APPR		Customer: Dura-Cast Products, Inc.			
Print Date: 2/28/2014	COPYRIGHT © 2014 DURA-CAST PRODUCTS, INC.		Part Title: 625 Gallon Horizontal Leg Ellipse Tank			
Comments: - UNLESS OTHERWISE SPECIFIED DIMENSIONS ARE IN INCHES - Std Radii 3/16"	UNLESS OTHERWISE SPECIFIED TOLERANCES ARE DIMS > 10" ±1% DIMS < 10" ±0.100 WALL THICKNESS ± 20% FLATNESS ± .030 in/in		File Name: 625 Horizontal Leg Ellipse Tank 01.dft			
			Size: A	Material: LLDPE 939	Rev: 00	
			Part No: 922625-A1100XXI	Do Not Scale	Sheet: 1 OF 1	