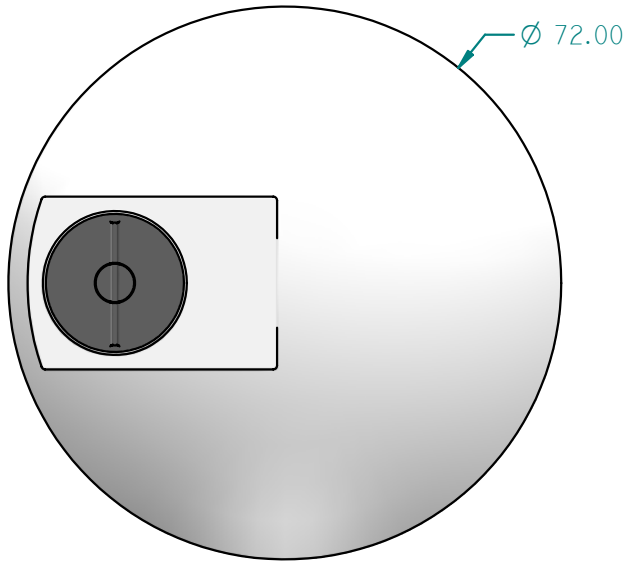
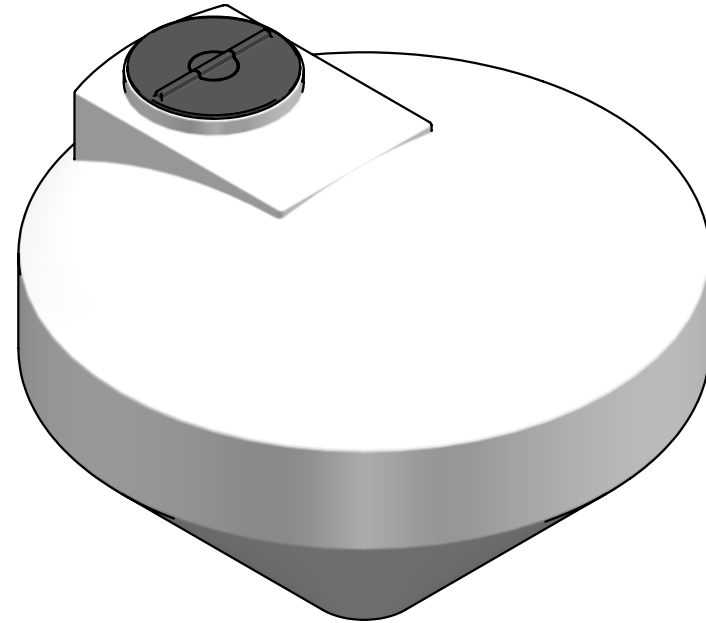


REVISION HISTORY

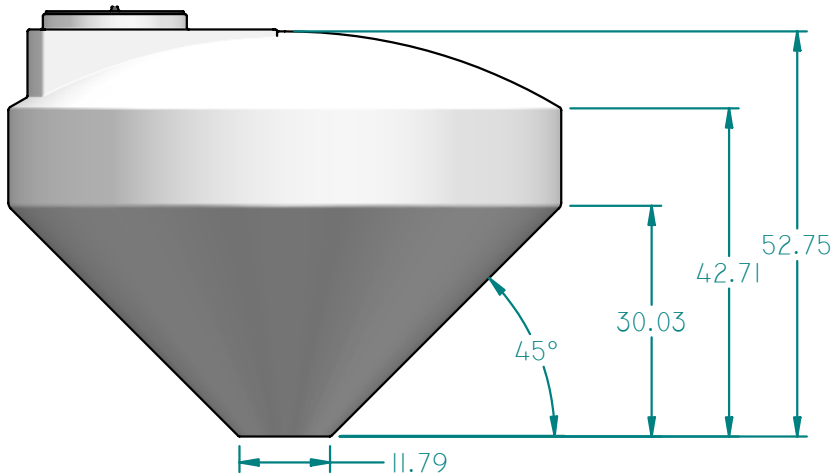
REV	DESCRIPTION	DATE	APPROVED



TOP VIEW




ISO VIEW



SIDE VIEW

WALL THICKNESS:

			16160 Hwy 27 Lake Wales, FL 33859	
UNLESS OTHERWISE SPECIFIED DIMENSIONS ARE IN INCHES ANGLES ±0.5° 2 PL ±0.125" 3 PL ±0.060"			TITLE <b>500 GALLON CONE TANK</b>	
DRAWN	NAME	DATE	SIZE	MATERIAL: HDPE NATURAL 1.2 SPG
CHECKED			A	REV
ENG APPR			FILE NAME: C500 TANK.DFT	
MGR APPR			PART#: 930500	WEIGHT: 0.000 LBM
			SHEET 1 OF 1	