

TANKS ARE DESIGNED TO BE USED IN A HORIZONTAL POSITION. RECTANGULAR TANKS USED IN VERTICAL POSITION MAY REQUIRE ADDITIONAL WALL THICKNESS OR EXTERNAL SUPPORT

TANKS ARE NOT RATED FOR GASOLINE OR AROMATIC SOLVENTS

TANK RESINS ARE FULLY UV STABILIZED

MOST SIZE TANKS ARE AVAILABLE IN STANDARD WALL THICKNESS SHOWN OR HEAVY DUTY

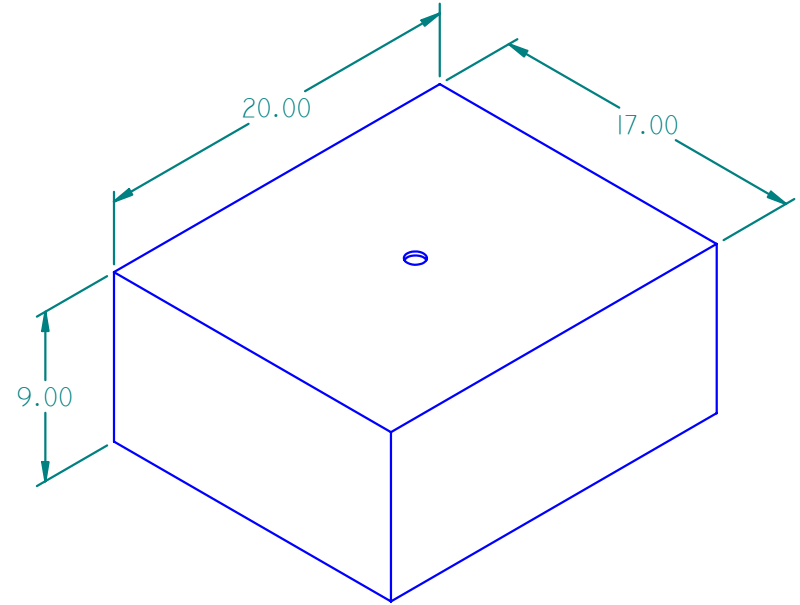
ALLOW +/- 1% ON TANK DIMENSIONS FOR OVERALL SIZE VARIANCES

VENT HOLE ON TANK WILL BE WELDED SHUT IF NOT USED FOR FITTING LOCATION

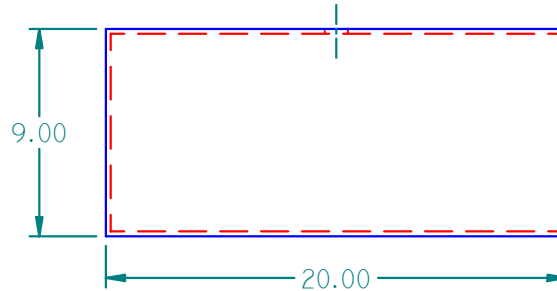
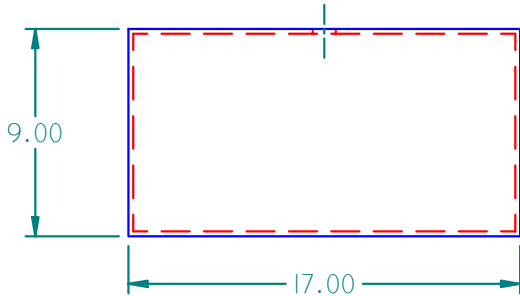
TANK PLASTIC RESIN IS FDA COMPLIANT BASED ON MANUFACTURER'S SPECIFICATIONS


TANKS MEET ABYC AND USCG REQUIREMENTS FOR MARINE WATER AND HOLDING TANK APPLICATIONS

REVISION HISTORY			
REV	DESCRIPTION	DATE	APPROVED



ISO VIEW 103013



TANK CAPACITY: 13 GALLONS			 16160 Hwy 27 Lake Wales, FL 33859		
	NAME	DATE			
DRAWN	MPUTT	1/25/2004	TITLE 13 GALLON PLASTIC TANK		
CHECKED			SIZE A	MATERIAL: LMDPE NATURAL	
ENG APPR				REV	
MGR APPR			FILE NAME: 103013.DFT		
UNLESS OTHERWISE SPECIFIED DIMENSIONS ARE IN INCHES ANGLES ±0.5° 2 PL ±0.125" 3 PL ±0.060"			PART#: 103013	WEIGHT: 9.331 LBM	SHEET 1 OF 1

WALL THICKNESS: .220"