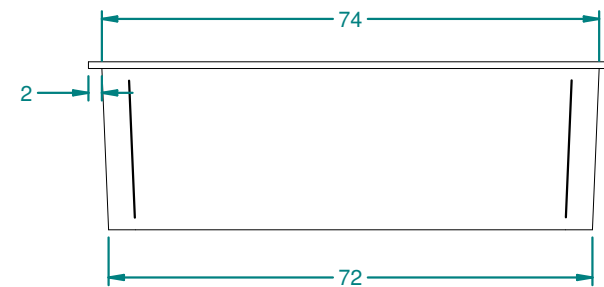
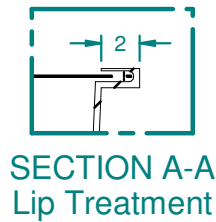
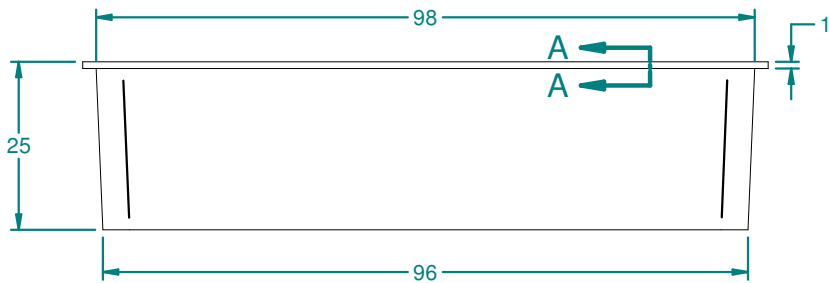
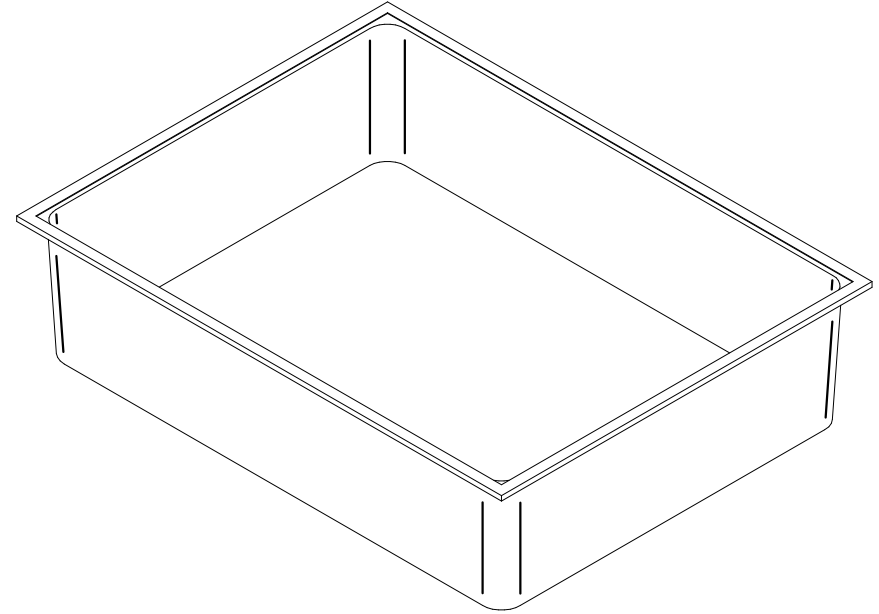
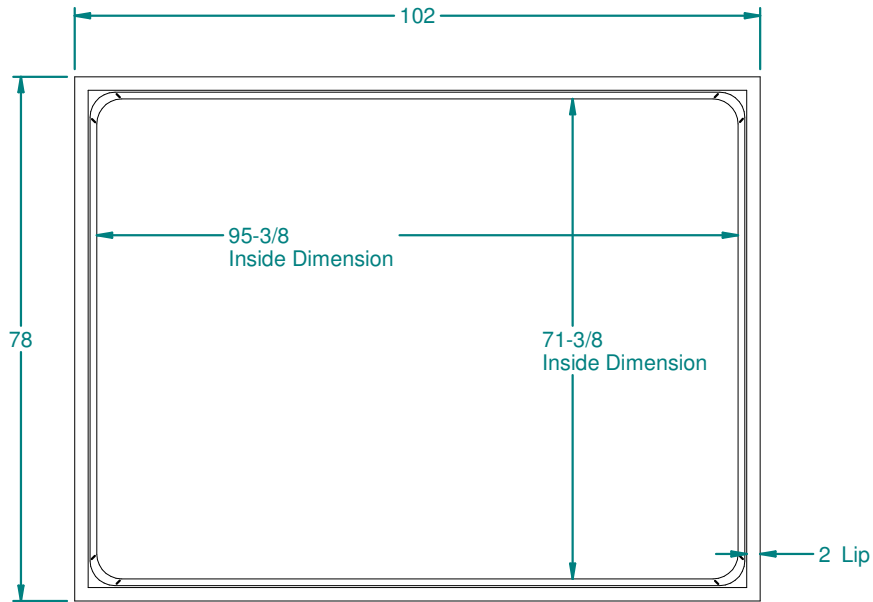



MAIN PRODUCT INFORMATION



REVISION HISTORY

REV	DESCRIPTION	DATE	APPROVED	Revised By
10	UPDATED TO PRODUCT RELEASE REV	02/07/18		M. NEGRON

NOTE: OPEN TANK WILL NEED SUPPORT IF FILLING UP BEYOND HALF WAY

Weight: 171 lbm	NAME	DATE	 16160 Hwy 27 Lake Wales, FL. 33859			
Wall Thickness: 0.312 in	Drawn By: scloud	6/22/2016				
Customer Part No: N/A	Customer APPR		Customer:	Dura-Cast Products, Inc.		
Print Date: 6/11/2018	COPYRIGHT © 2012 DURA-CAST PRODUCTS, INC.		Part Title:	725 Gallon Open Top Tank		
Comments: - UNLESS OTHERWISE SPECIFIED DIMENSIONS ARE IN INCHES - Std Radii 3/16"	UNLESS OTHERWISE SPECIFIED TOLERANCES ARE DIMS > 10" ±1% DIMS < 10" ±0.100 WALL THICKNESS ± 20% FLATNESS ± .030 in/in		File Name:	501120 - 725 Gallon Open Top Tank - DWG REV 10		
			Size: A	Material:	HDPE 942	Rev: 10
			Part No:	501120	Do Not Scale	Sheet: