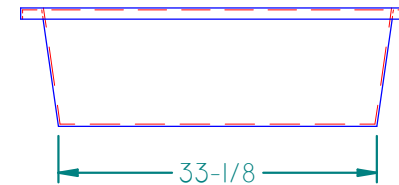
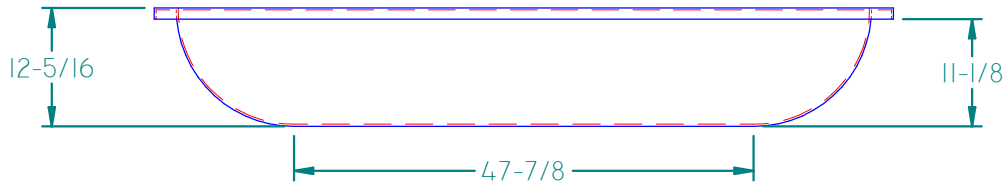
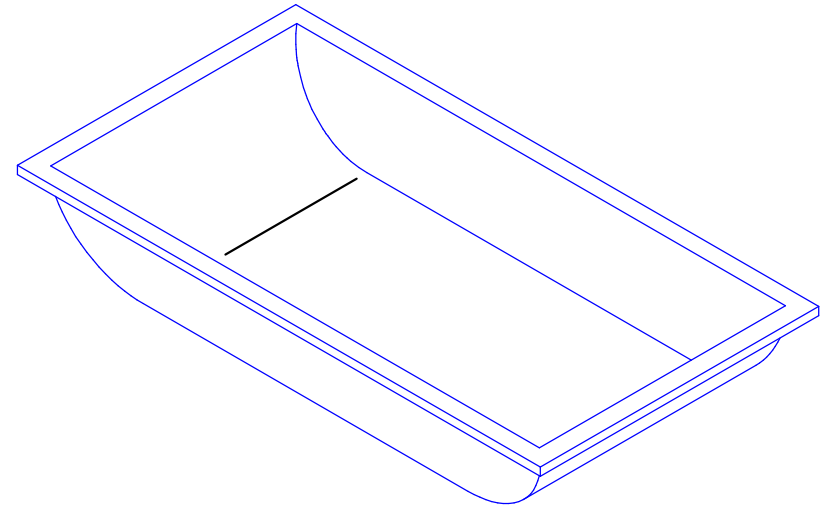
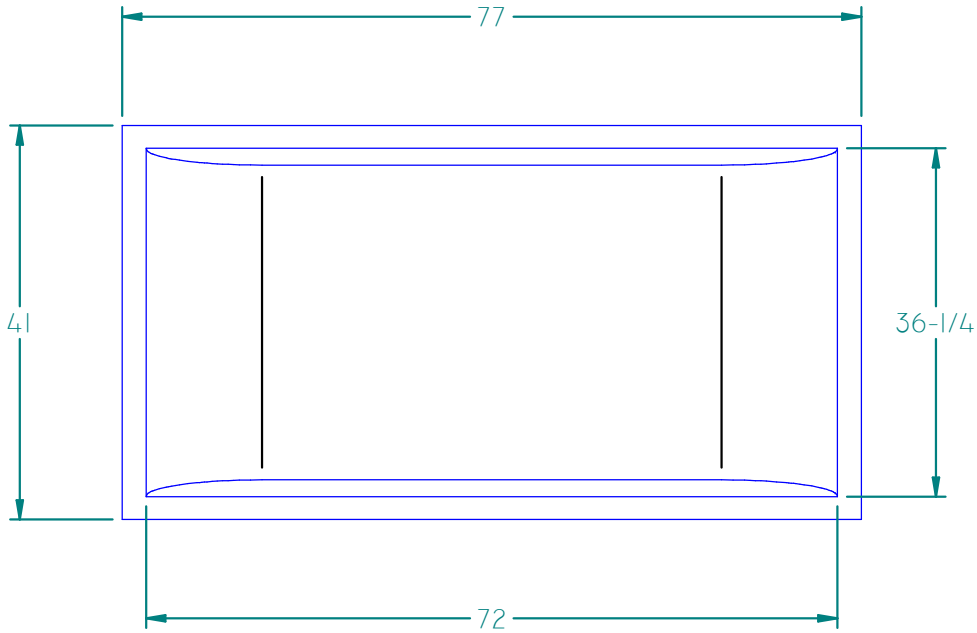



MAIN PRODUCT INFORMATION

REVISION HISTORY

REV	DESCRIPTION	DATE	APPROVED	Revised By
A	Initial Design Release	6/22/2016		



NOTE: OPEN TANK WILL NEED SUPPORT IF FILLING UP BEYOND HALF WAY

Weight: 35.170 lbm	NAME	DATE	 16160 Hwy 27 Lake Wales, FL. 33859	
Wall Thickness: 0.208 in	Drawn By: mnegron	6/22/2016		
Customer Part No: n/a	Customer APPR		Customer: Dura-Cast Products, Inc.	
Print Date: 6/7/2018	COPYRIGHT©2007 DURA-CAST PRODUCTS, INC.		PartTitle: 6' Mortar Box - Open Top Tank	
Comments: - UNLESS OTHERWISE SPECIFIED DIMENSIONS ARE IN INCHES - Std Radii 3/16"	Tolerance: UNLESS OTHERWISE SPECIFIED TOLERANCES ARE ±1%		File Name: 501230 Open Top.dft	
	Size: A	Material: Polyethylene, low density	Rev: A	
	Part No: 501230	Do Not Scale	Sheet: 1 OF 1	