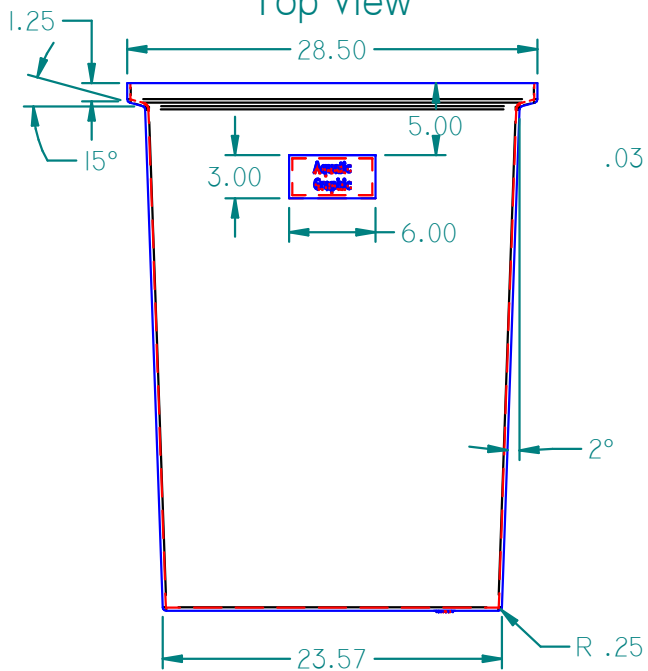
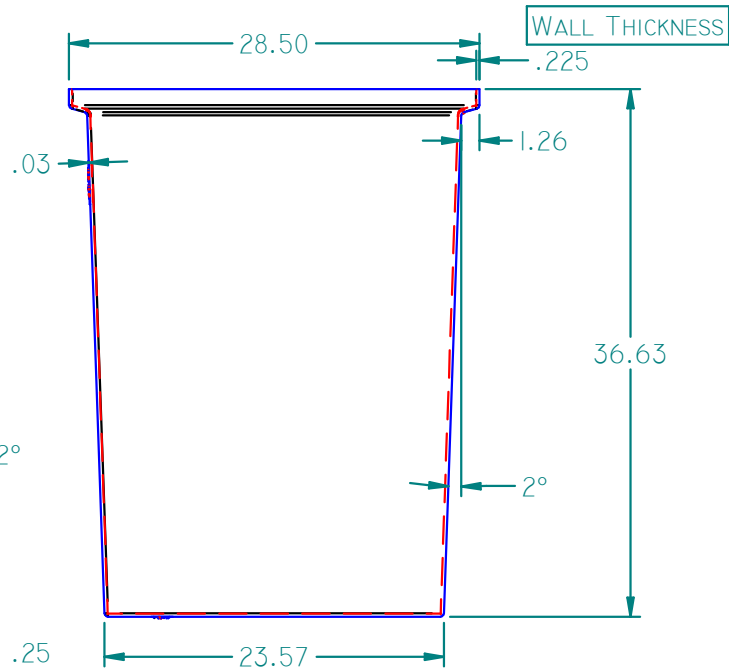


Top View

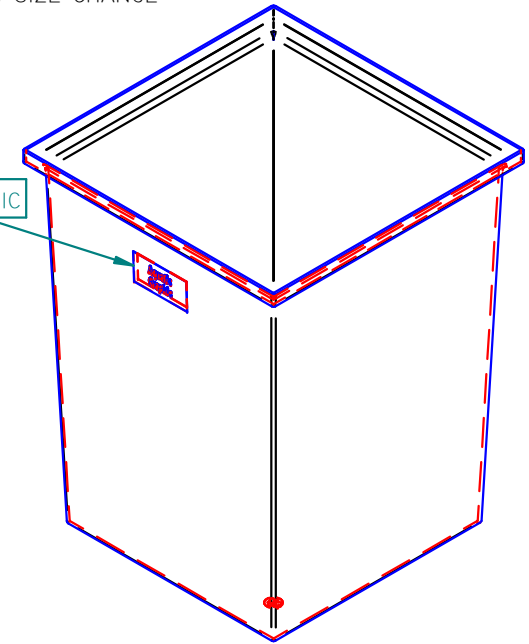


Front View



Side View

REVISION HISTORY			
REV	DESCRIPTION	DATE	APPROVED
01	OVERALL DIMENSIONAL CHANGES TO MAKE WORKING CAPACITY BELOW LIP, GRAPHIC WINDOW SIZE CHANGE	2/11/04	



ISO View

NOTE: OPEN TANK WILL NEED SUPPORT IF FILLING UP BEYOND HALF WAY

Tank Capacity: 89 Gallons

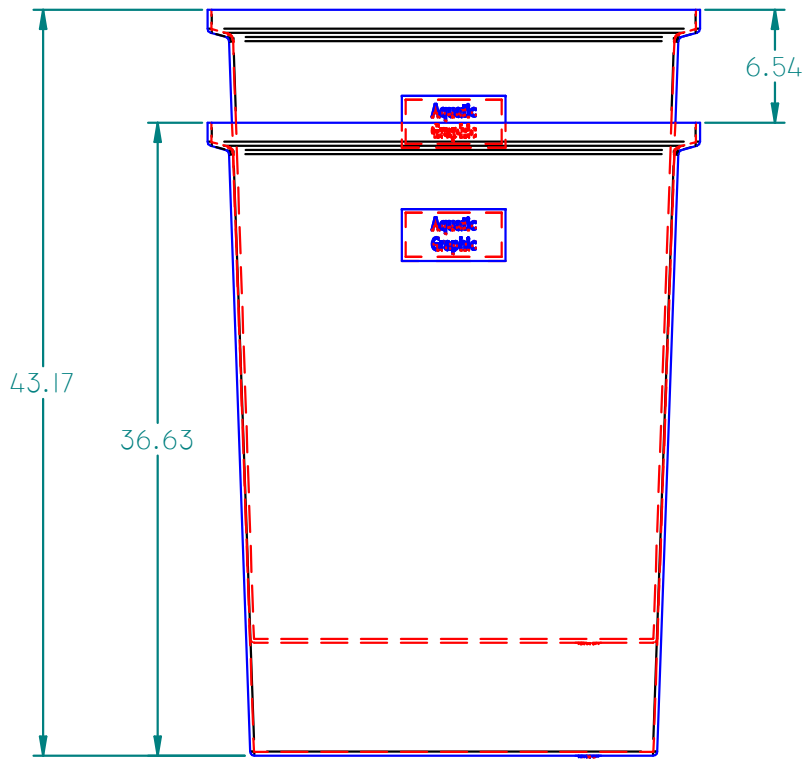
	NAME	DATE
DRAWN	MPUTT	6/22/2016
CHECKED		
ENG APPR		
MGR APPR		



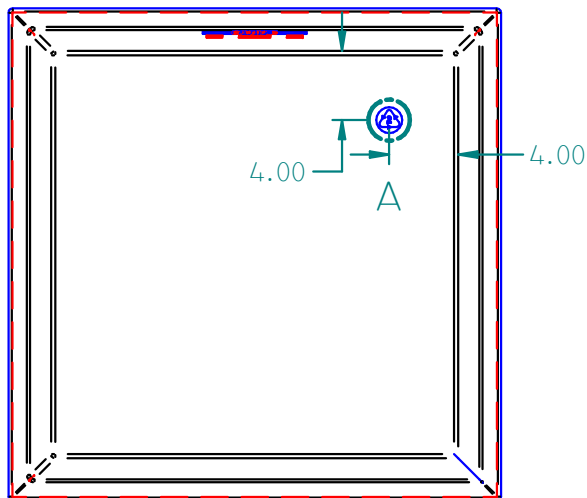
16160 Hwy 27 Lake Wales, FL 33859

TITLE		89 GALLON OTR TANK	
SIZE A	MATERIAL: HDPE 218 AQUAMARINE	REV	01

UNLESS OTHERWISE SPECIFIED DIMENSIONS ARE IN INCHES ANGLES ±0.5° 2 PL ±0.125" 3 PL ±0.060"			
FILE NAME: OTR89.DFT	PART#: 502089	WEIGHT: 32.41 LBM	SHEET 1 OF 2



Side View Nested

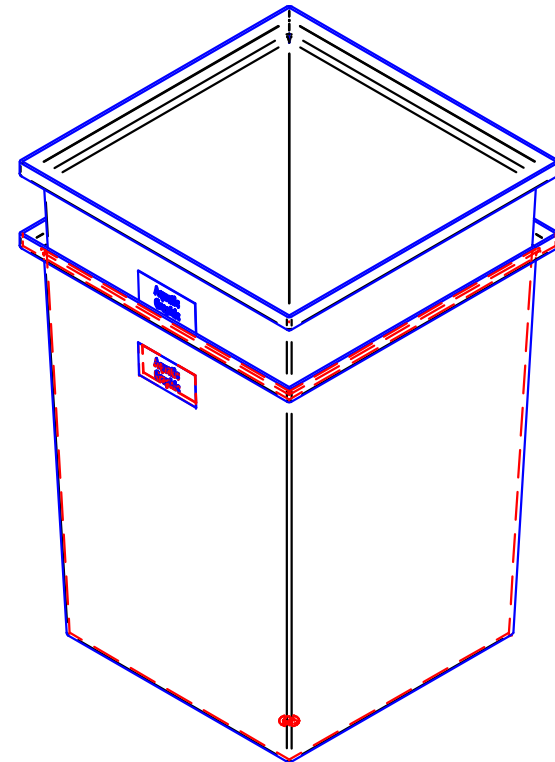


BOTTOM VIEW

HDPE
RECYCLE LOGO



DETAIL A




ISO VIEW NESTED

NOTE: OPEN TANK WILL NEED SUPPORT IF FILLING UP BEYOND HALF WAY

REVISION HISTORY

REV	DESCRIPTION	DATE	APPROVED
01	OVERALL DIMENSIONAL CHANGES TO MAKE WORKING CAPACITY BELOW LIP, GRAPHIC WINDOW SIZE CHANGE	2/11/04	

Tank Capacity: 89 Gallons			 16160 Hwy 27 Lake Wales, FL 33859	
DRAWN	NAME	DATE		
CHECKED	MPUTT	6/22/2016	89 GALLON OTR TANK	SIZE A
ENG APPR			MATERIAL: HDPE 218 AQUAMARINE	REV 01
MGR APPR			FILE NAME: OTR89.DFT	
UNLESS OTHERWISE SPECIFIED DIMENSIONS ARE IN INCHES ANGLES ±0.5° 2 PL ±0.125" 3 PL ±0.060"			PART#: 502089	WEIGHT: 32.41 LBM
			SHEET 2 OF 2	