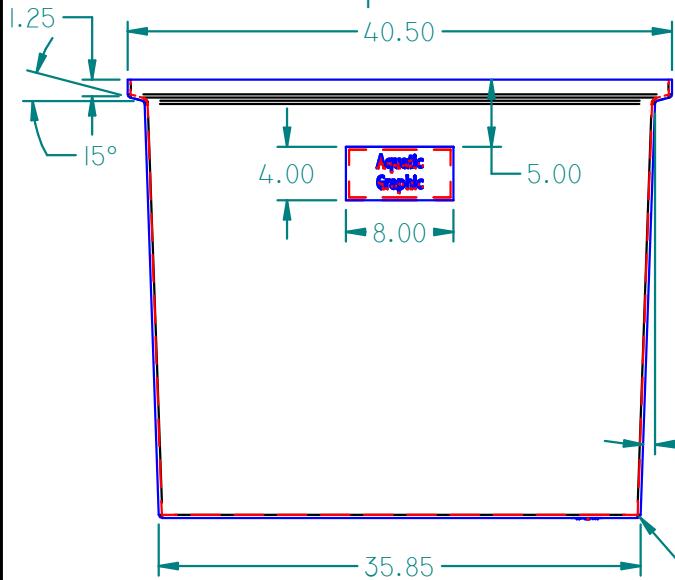
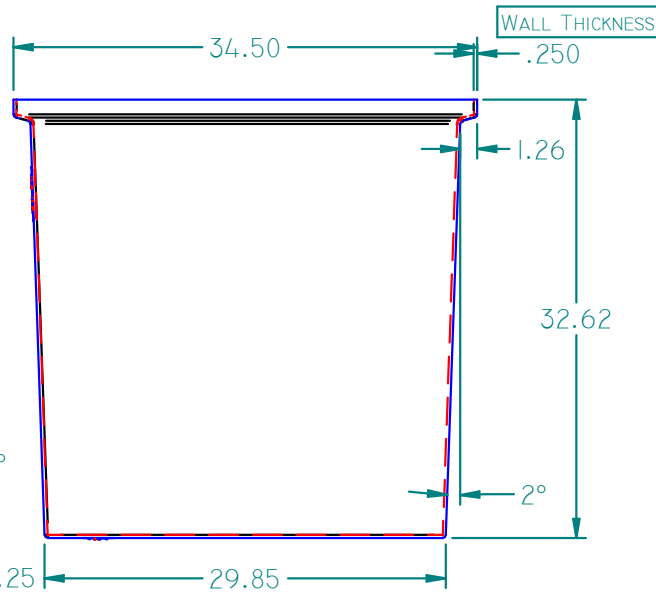


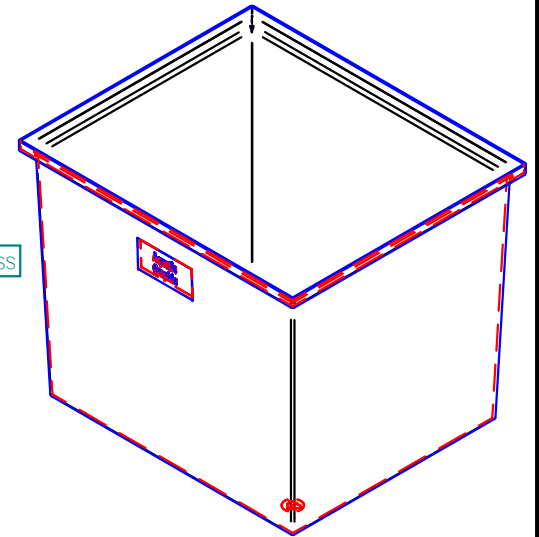
Top View



Front View



Side View



ISO View

REVISION HISTORY			
REV	DESCRIPTION	DATE	APPROVED
01	ENLARGED LOGO SIZE FROM 3"x 6" TO 4"x 8" AND CHANGED LOCATION TO 5" DOWN ON SIDE	11/14/03	
02	ADDED 15 DEGREE INWARD SLOPE TO UPPER LIP, RECYCLE LOGO RELEASED FOR PRODUCTION	11/25/03 12/29/03	

NOTE: OPEN TANK WILL NEED SUPPORT IF FILLING UP BEYOND HALF WAY

Tank Capacity: 150 Gallons

	NAME	DATE
DRAWN	MPUTT	6/22/2016
CHECKED		
ENG APPR		
MGR APPR		

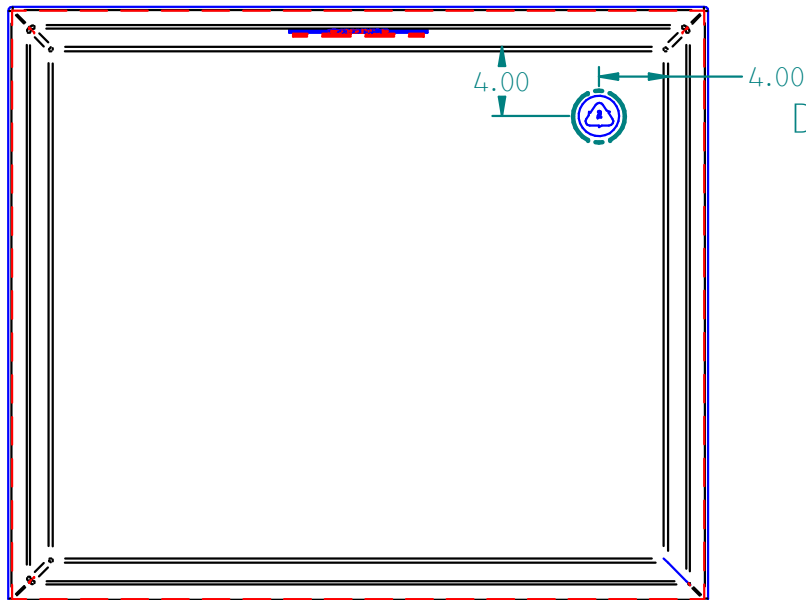
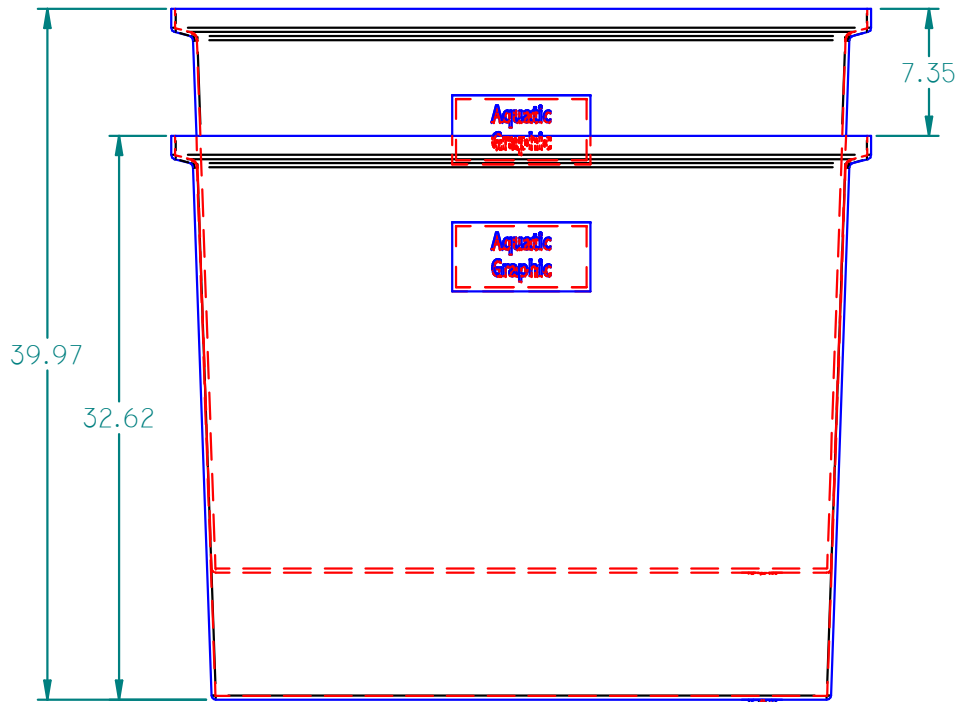


16160 Hwy 27 Lake Wales, FL 33859

TITLE		150 GALLON OTR TANK	
SIZE A	MATERIAL: HDPE 218 AQUAMARINE	REV	02

UNLESS OTHERWISE SPECIFIED DIMENSIONS ARE IN INCHES ANGLES ±0.5° 2 PL ±0.125" 3 PL ±0.060"			
FILE NAME:	OTRI50.DFT	PART#: 502150	WEIGHT: 42.622 LBM
		SHEET 1 OF 2	

Side View Nested



BOTTOM VIEW

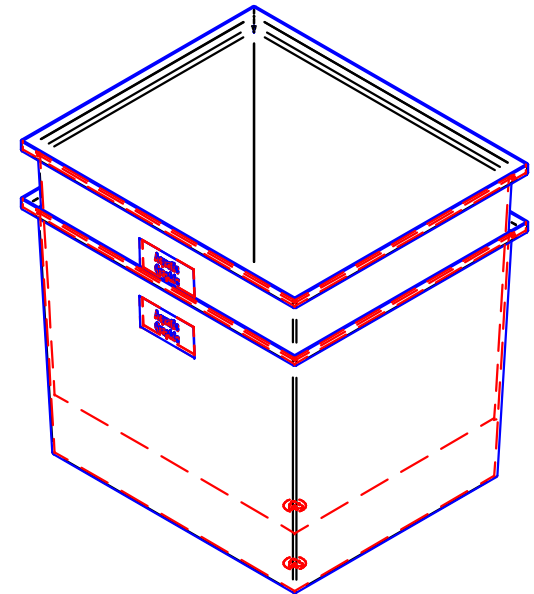
HDPE
RECYCLE LOGO



DETAIL A

REVISION HISTORY

REV	DESCRIPTION	DATE	APPROVED
01	ENLARGED LOGO SIZE FROM 3"x 6" TO 4"x 8" AND CHANGED LOCATION TO 5" DOWN ON SIDE	11/14/03	
02	ADDED 15 DEGREE INWARD SLOPE TO UPPER LIP, RECYCLE LOGO RELEASED FOR PRODUCTION	11/25/03 12/29/03	



ISO VIEW NESTED

NOTE: OPEN TANK WILL NEED SUPPORT IF FILLING UP BEYOND HALF WAY

Tank Capacity: 150 Gallons

	NAME	DATE
DRAWN	MPUTT	6/22/2016
CHECKED		
ENG APPR		
MGR APPR		



16160 Hwy 27 Lake Wales, FL 33859

TITLE 150 GALLON OTR TANK

SIZE A	MATERIAL: HDPE 218 AQUAMARINE	REV 02
--------	-------------------------------	--------

FILE NAME: OTRI50.DFT

UNLESS OTHERWISE SPECIFIED
DIMENSIONS ARE IN INCHES
ANGLES ±0.5°
2 PL ±0.125" 3 PL ±0.060"

PART#: 502150	WEIGHT: 42.622 LBM	SHEET 2 OF 2
---------------	--------------------	--------------