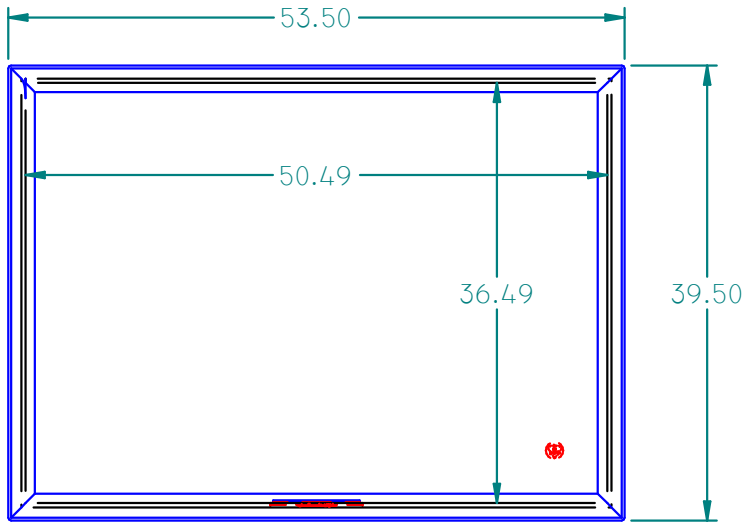
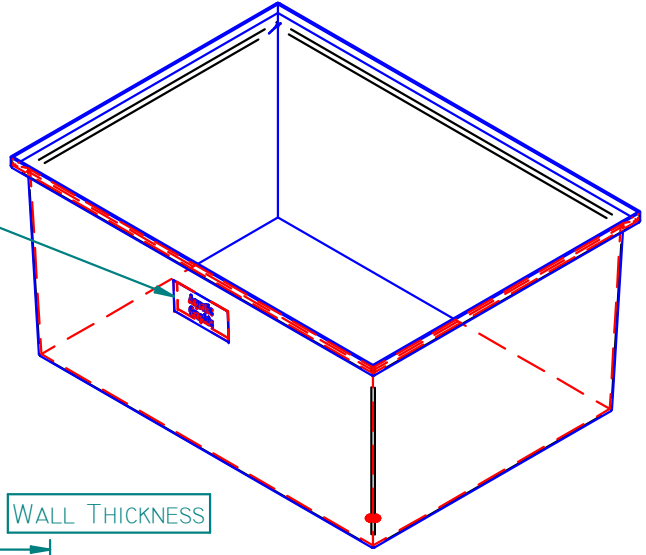


REVISION HISTORY			
REV	DESCRIPTION	DATE	APPROVED
01	OVERALL DIMENSIONAL CHANGES TO MAKE WORKING CAPACITY BELOW LIP	2/11/04	

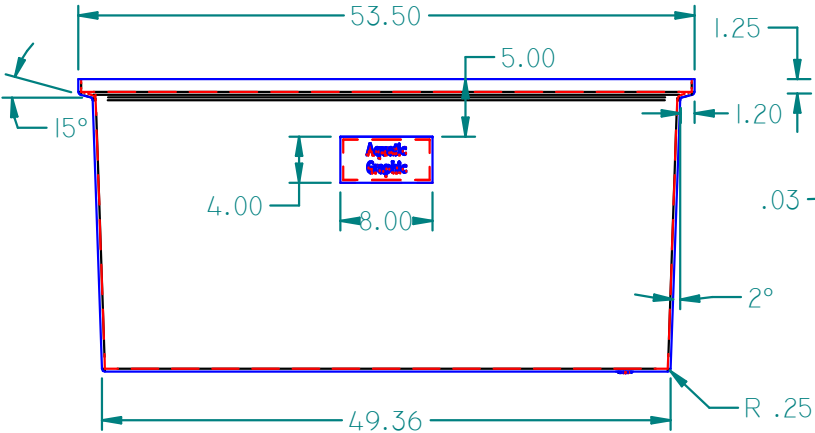


Top View

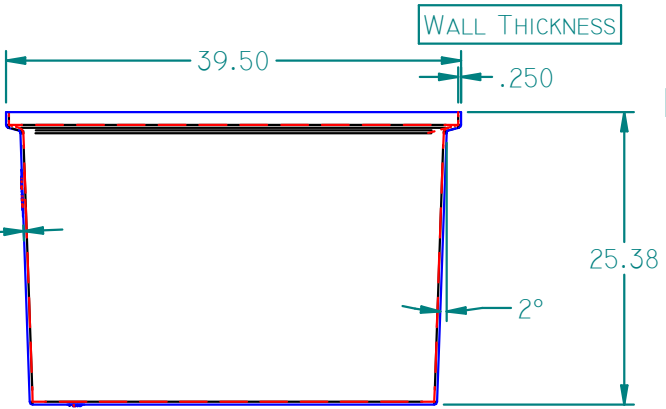
MOLD IN GRAPHIC



ISO View




Front View

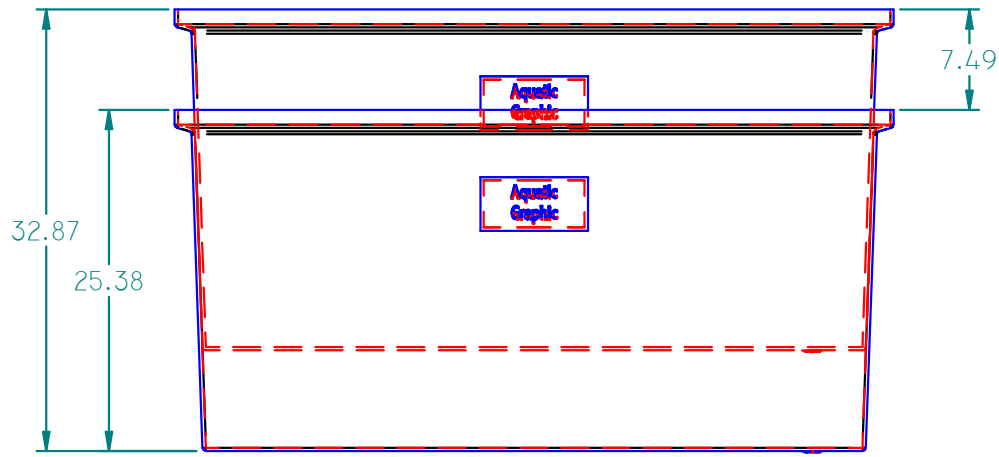


Side View

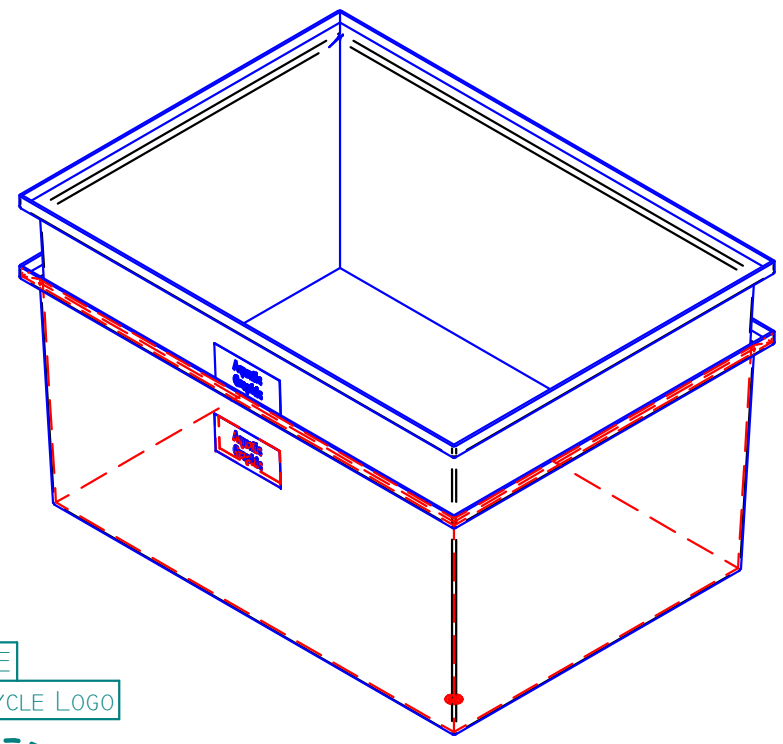
NOTE: OPEN TANK WILL NEED SUPPORT IF FILLING UP BEYOND HALF WAY

Tank Capacity: 180 Gallons			 16160 Hwy 27 Lake Wales, FL 33859	
NAME	DATE	TITLE		
DRAWN	MPUTT	6/22/2016	180 GALLON OTR TANK	REV
CHECKED			SIZE A	MATERIAL: HDPE 218 AQUAMARINE
ENG APPR			FILE NAME: OTRI80.DFT	01
MGR APPR			PART#: 502180	WEIGHT: 52.885 LBM
UNLESS OTHERWISE SPECIFIED DIMENSIONS ARE IN INCHES ANGLES ±0.5° 2 PL ±0.125" 3 PL ±0.060"			SHEET 1 OF 2	

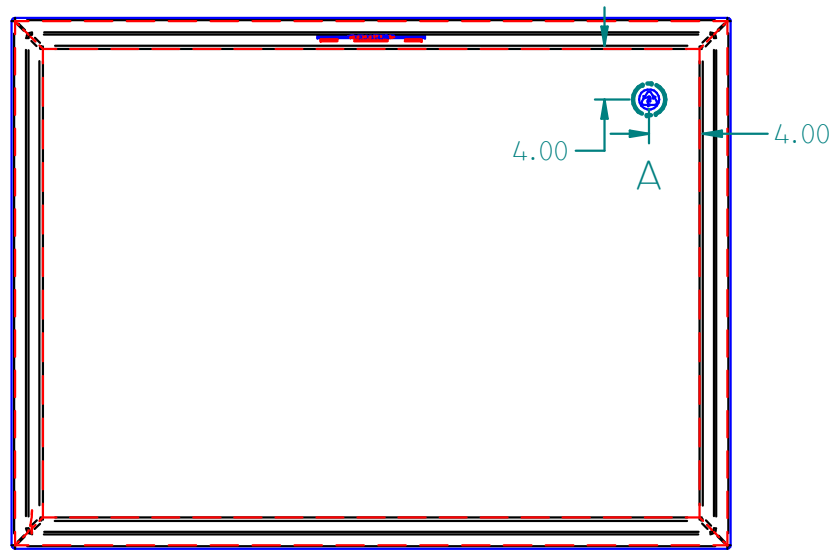
REVISION HISTORY			
REV	DESCRIPTION	DATE	APPROVED
01	OVERALL DIMENSIONAL CHANGES TO MAKE WORKING CAPACITY BELOW LIP	2/11/04	



Side View Nested



ISO VIEW NESTED




BOTTOM VIEW

HDPE
RECYCLE LOGO



DETAIL A

NOTE: OPEN TANK WILL NEED SUPPORT IF FILLING UP BEYOND HALF WAY

Tank Capacity: 180 Gallons			 16160 Hwy 27 Lake Wales, FL 33859		
DRAWN	NAME	DATE			TITLE
CHECKED			SIZE	MATERIAL: HDPE 218 AQUAMARINE	REV
ENG APPR			A		01
MGR APPR			FILE NAME: OTRI80.DFT		
UNLESS OTHERWISE SPECIFIED DIMENSIONS ARE IN INCHES ANGLES ±0.5° 2 PL ±0.125" 3 PL ±0.060"			PART#: 502180	WEIGHT: 52.885 LBM	SHEET 2 OF 2