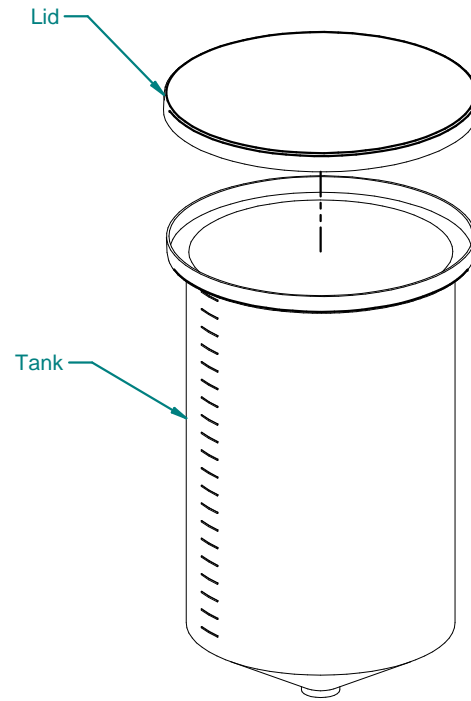
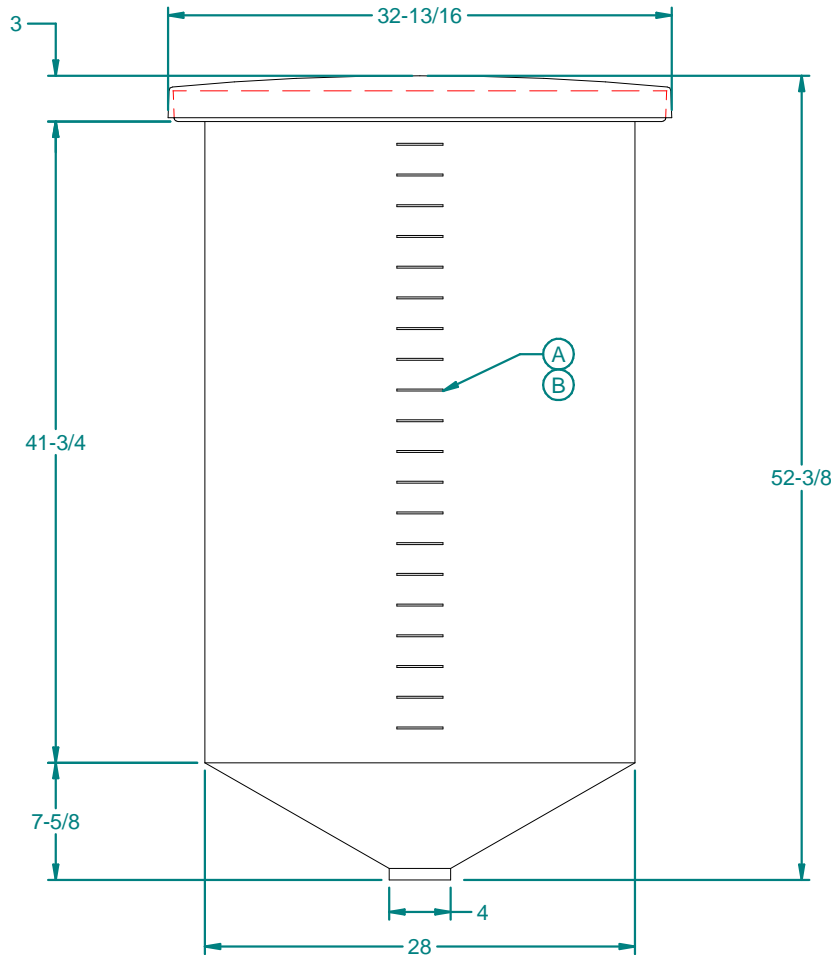


MAIN PRODUCT INFORMATION


REVISION HISTORY

REV	DESCRIPTION	DATE	APPROVED	Revised By
010	Updated Part Drawing	4/3/2014		



A. Mixed Calibration for Flat Bottom and Cone Bottom 100 Gallon Tanks.

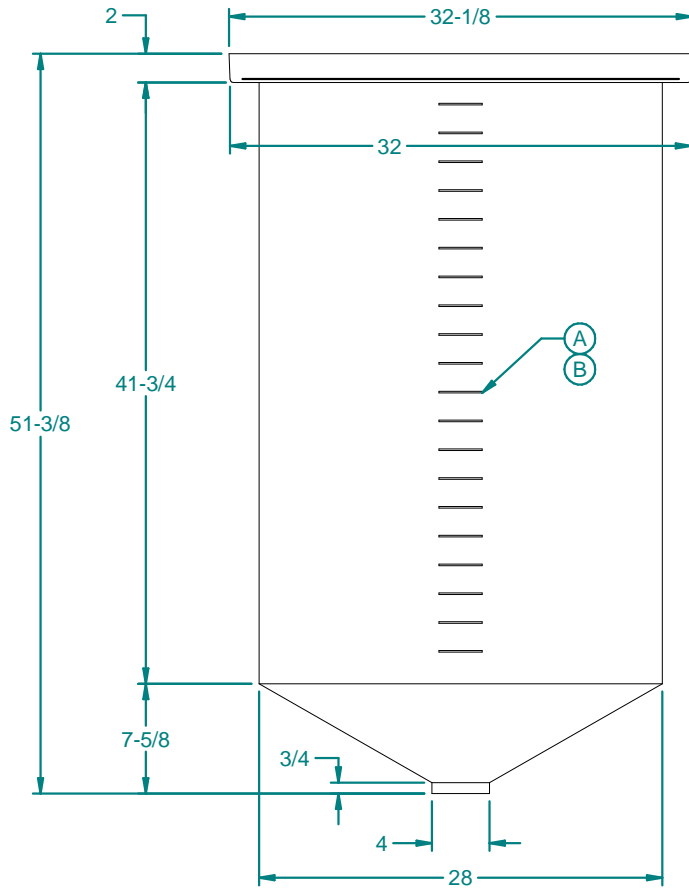
B. Graduations in Gallons and Liters

Weight: 53 lbm	NAME	DATE	 16160 Hwy 27 Lake Wales, FL. 33859			
Wall Thickness: 0.250 in	Drawn By: S. Arant	4/1/2014				
Customer Part No: N/A	Customer APPR		Customer:	Dura-Cast Products, Inc.		
Print Date: 4/3/2014	COPYRIGHT © 2014 DURA-CAST PRODUCTS, INC.		Part Title:	100 Gallon Cone Tank with Lid		
Comments: - UNLESS OTHERWISE SPECIFIED DIMENSIONS ARE IN INCHES - Std Radii 3/16"	UNLESS OTHERWISE SPECIFIED TOLERANCES ARE DIMS > 10" ±1% DIMS < 10" ±0.100 WALL THICKNESS ± 20% FLATNESS ± .030 in/in		File Name:	100 Gal Cone Tank with Lid.dft		
			Size: A	Material: LLDPE 939	Rev:	010
			Part No: 970100	Do Not Scale	Sheet:	1 OF 3

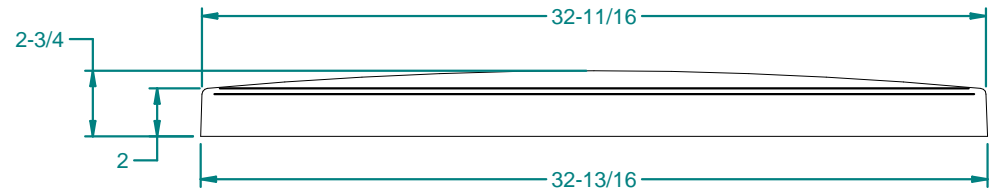
SECONDARY PRODUCT INFORMATION

REVISION HISTORY

REV	DESCRIPTION	DATE	APPROVED	Revised By
010	Updated Part Drawing	4/3/2014		




100 Gallon Cone Tank



100 Gallon Cone Tank Lid

A. Mixed Calibration for Flat Bottom and Cone Bottom 100 Gallon Tanks.

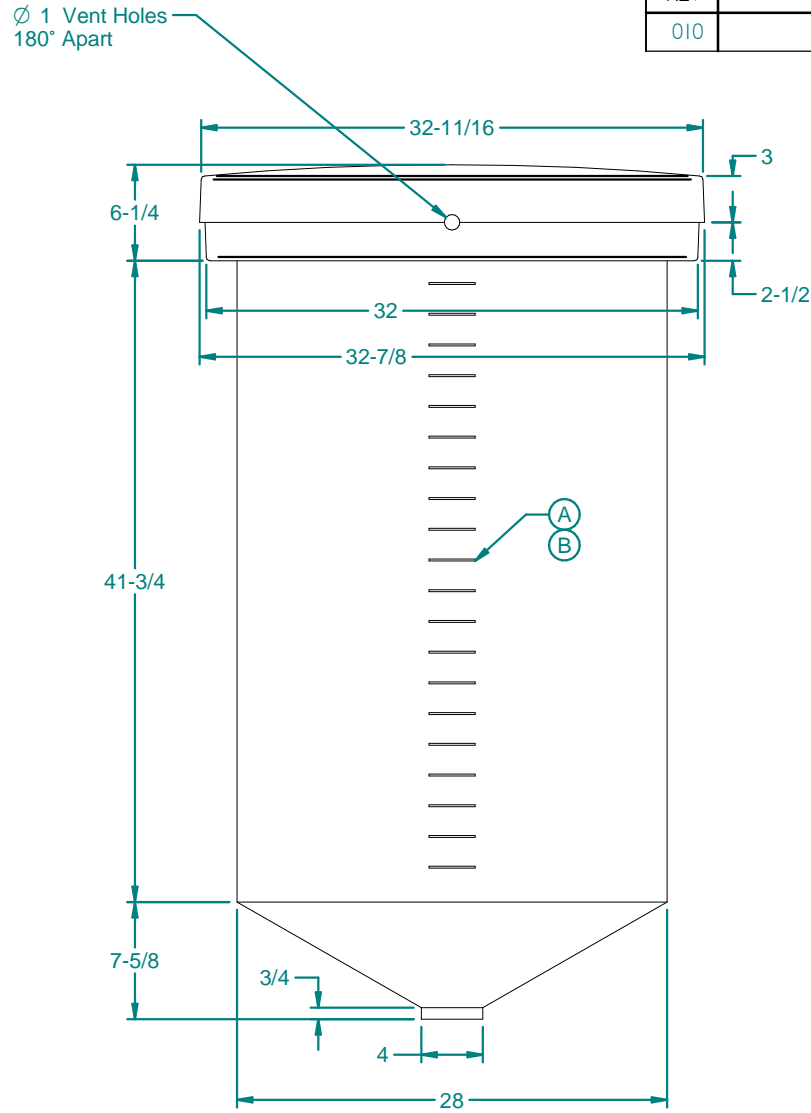
B. Graduations in Gallons and Liters

Weight: 53 lbm	NAME	DATE	 16160 Hwy 27 Lake Wales, FL. 33859	
Wall Thickness: 0.250 in	Drawn By: S. Arant	4/1/2014		
Customer Part No: N/A	Customer APPR		Customer: Dura-Cast Products, Inc.	
Print Date: 4/3/2014	COPYRIGHT © 2014 DURA-CAST PRODUCTS, INC.		Part Title: 100 Gallon Cone Tank with Lid	
Comments: - UNLESS OTHERWISE SPECIFIED DIMENSIONS ARE IN INCHES - Std Radii 3/16"	UNLESS OTHERWISE SPECIFIED TOLERANCES ARE DIMS > 10" ±1% DIMS < 10" ±0.100 WALL THICKNESS ± 20% FLATNESS ± .030 in/in		File Name: 100 Gal Cone Tank with Lid.dft	
	Size: A	Material: LLDPE 939	Rev: 010	
	Part No: 970100	Do Not Scale	Sheet: 2 OF 3	

MOLDED PRODUCT INFORMATION


REVISION HISTORY

REV	DESCRIPTION	DATE	APPROVED	Revised By
010	Updated Part Drawing	4/3/2014		



A. Mixed Calibration for Flat Bottom and Cone Bottom 100 Gallon Tanks.

B. Graduations in Gallons and Liters

Weight: 53 lbm	NAME	DATE	 16160 Hwy 27 Lake Wales, FL. 33859	
Wall Thickness: 0.250 in	Drawn By: S. Arant	4/1/2014		
Customer Part No: N/A	Customer APPR		Customer: Dura-Cast Products, Inc.	
Print Date: 4/3/2014	COPYRIGHT © 2014 DURA-CAST PRODUCTS, INC.		Part Title: 100 Gallon Cone Tank with Lid	
Comments: - UNLESS OTHERWISE SPECIFIED DIMENSIONS ARE IN INCHES - Std Radii 3/16"	UNLESS OTHERWISE SPECIFIED TOLERANCES ARE DIMS > 10" ±1% DIMS < 10" ±0.100 WALL THICKNESS ± 20% FLATNESS ± .030 in/in		File Name: 100 Gal Cone Tank with Lid.dft	
	Size A	Material: LLDPE 939	Rev: 010	
Part No: 970100		Do Not Scale	Sheet: 3 OF 3	