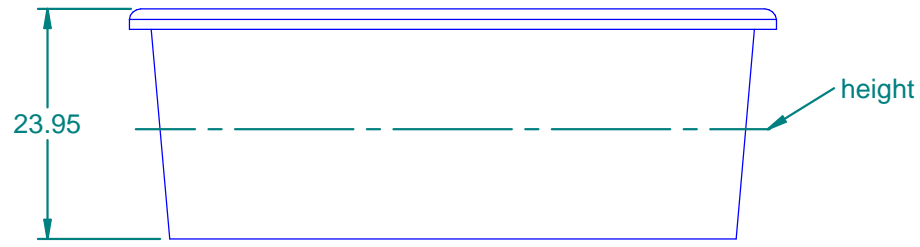
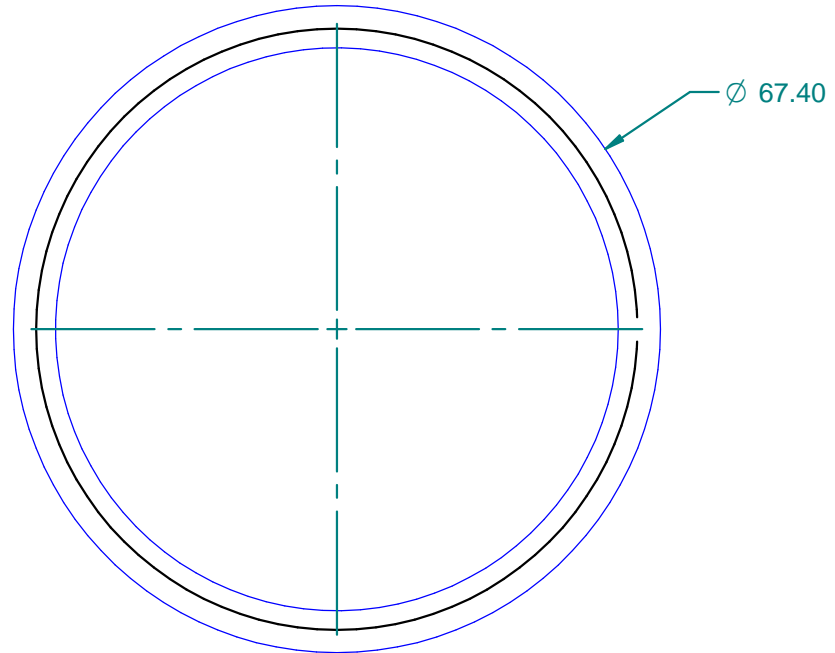



Height (in)	Capacity (gal)
1	8.0
2	20.5
3	33.0
4	45.5
5	58.1
6	70.6
7	83.1
8	95.7
9	108.2
10	120.7
11	133.2
12	145.8
13	158.3
14	170.8
15	183.3
16	195.9
17	208.4
18	220.9
19	233.5
20	246.0
21	258.5
22	271.0
23	283.6
24	296.1

REVISION HISTORY			
REV	DESCRIPTION	DATE	APPROVED
10	Initial Release	1/16/2017	PV



GALLON CHART

Gallon Chart			 <small>Rotomolding Plastic for the Future</small>	
DRAWN	NAME	DATE	16160 Hwy 27 Lake Wales, FL 33859	
CHECKED	pvilla	1/16/2017	TITLE 300 Gal Open Top Round	
ENG APPR			SIZE A	MATERIAL: Polyethylene, LMDPE 8460
MGR APPR			REV	
UNLESS OTHERWISE SPECIFIED DIMENSIONS ARE IN INCHES ANGLES ±0.5° 2 PL ±0.125" 3 PL ±0.060"			FILE NAME: 300 Gal Open Top Round Gallon Chart.dft	
PART#: 501300		WEIGHT: 54.140 lbm	SHEET 1 OF 1	