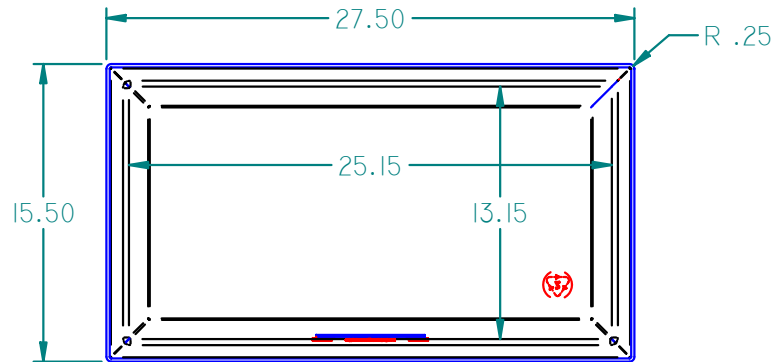
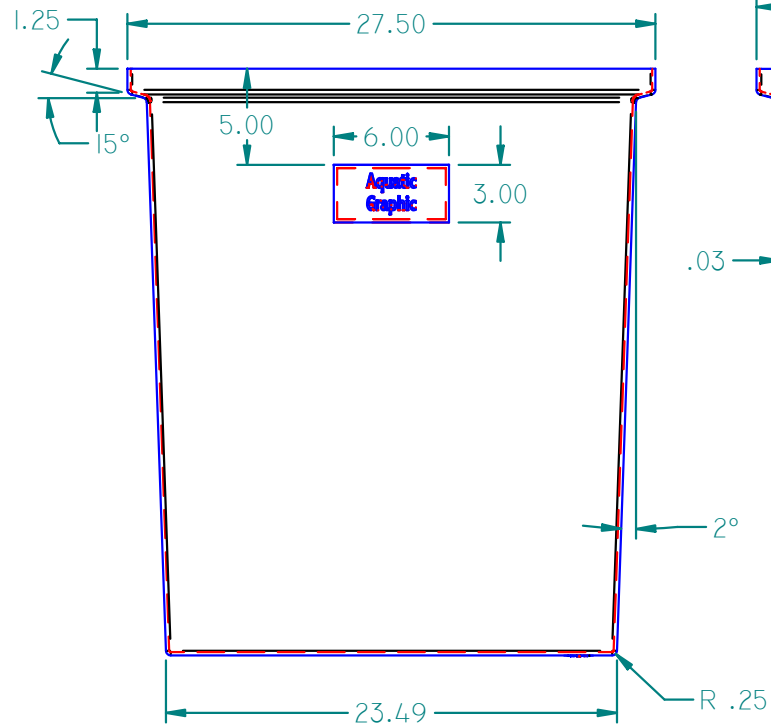


REVISION HISTORY

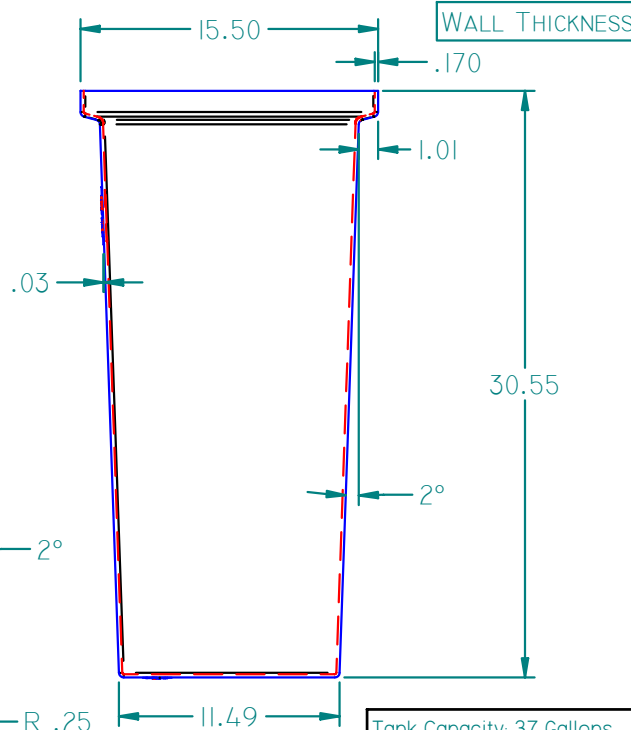
REV	DESCRIPTION	DATE	APPROVED
01	OVERALL DIMENSIONAL CHANGES TO MAKE WORKING CAPACITY BELOW LIP, GRAPHIC WINDOW SIZE CHANGE	2/11/04	



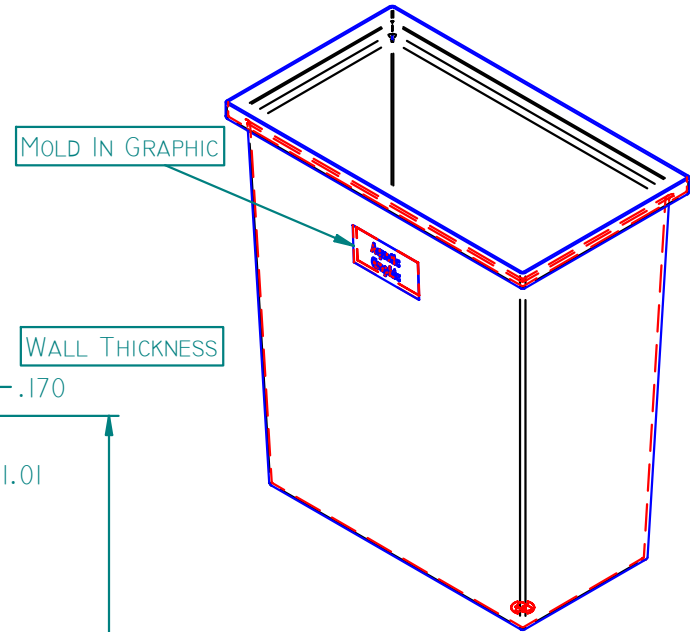
Top View



FRONT VIEW



Side View



ISO View

Tank Capacity: 37 Gallons

	NAME	DATE
DRAWN	MPUTT	1/22/2004
CHECKED		
ENG APPR		
MGR APPR		



16160 Hwy 27 Lake Wales, FL 33859

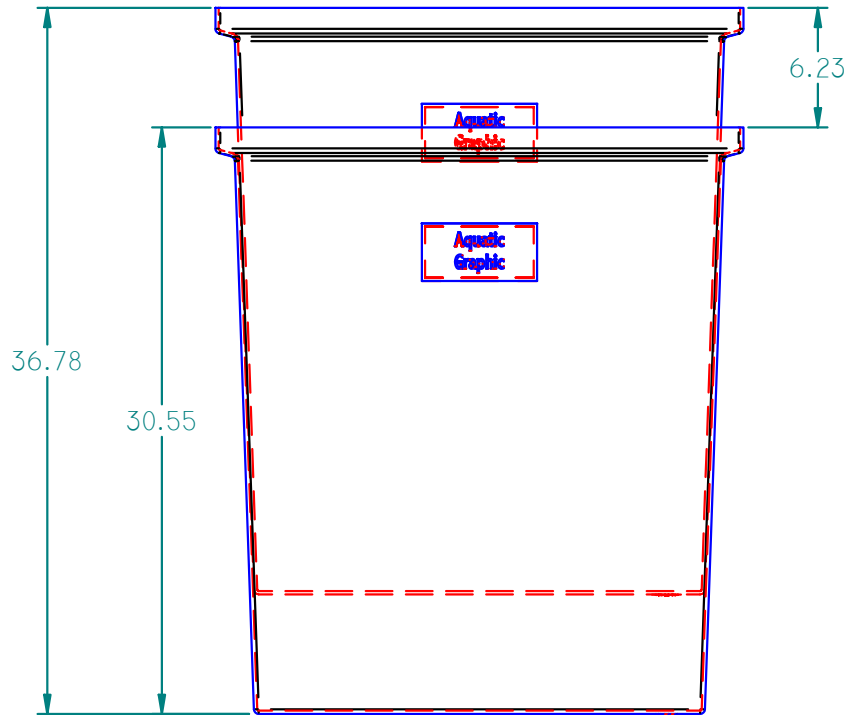
TITLE 37 GALLON OTR TANK		
SIZE A	MATERIAL: HDPE 218 AQUAMARINE	REV 01

UNLESS OTHERWISE SPECIFIED  
DIMENSIONS ARE IN INCHES  
ANGLES ±0.5°  
2 PL ±0.125" 3 PL ±0.060"

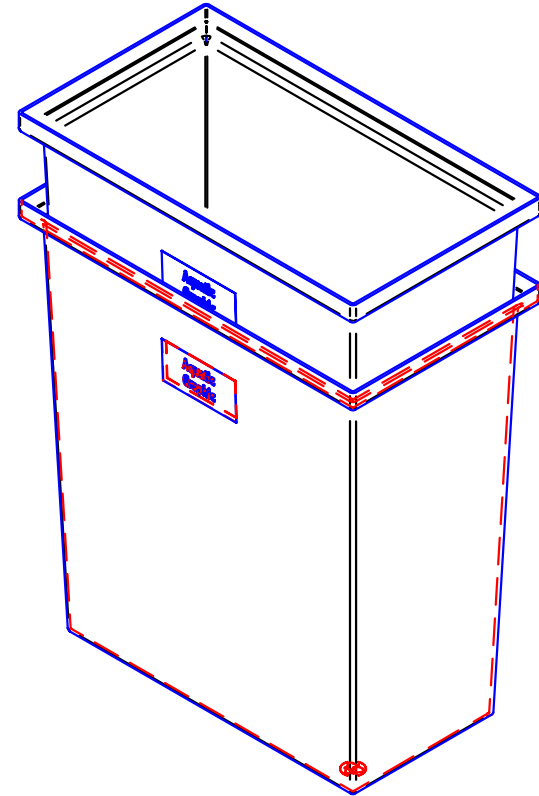
FILE NAME: OTR37.DFT		
PART#: 502037	WEIGHT: 14.789 LBM	SHEET 1 OF 2

REVISION HISTORY

REV	DESCRIPTION	DATE	APPROVED
01	OVERALL DIMENSIONAL CHANGES TO MAKE WORKING CAPACITY BELOW LIP, GRAPHIC WINDOW SIZE CHANGE	2/11/04	



Side View Nested

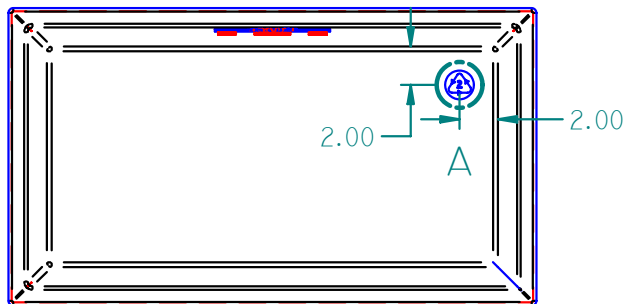


ISO VIEW NESTED

HDPE  
RECYCLE LOGO



DETAIL A



BOTTOM VIEW

Tank Capacity: 37 Gallons

	NAME	DATE
DRAWN	MPUTT	1/22/2004
CHECKED		
ENG APPR		
MGR APPR		



16160 Hwy 27 Lake Wales, FL 33859

TITLE		37 GALLON OTR TANK
SIZE A	MATERIAL: HDPE 218 AQUAMARINE	REV 01

UNLESS OTHERWISE SPECIFIED  
DIMENSIONS ARE IN INCHES  
ANGLES ±0.5°  
2 PL ±0.125" 3 PL ±0.060"

FILE NAME: OTR37.DFT		
PART#: 502037	WEIGHT: 14.789 LBM	SHEET 2 OF 2