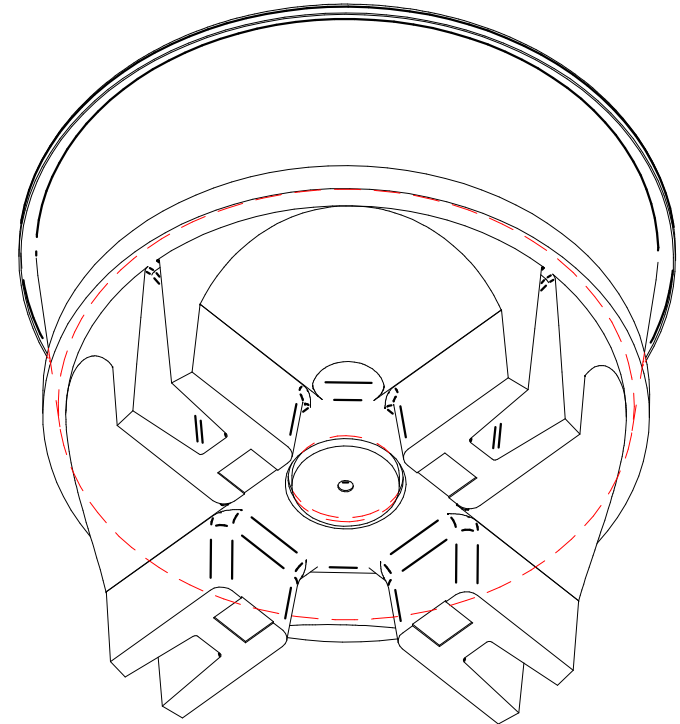
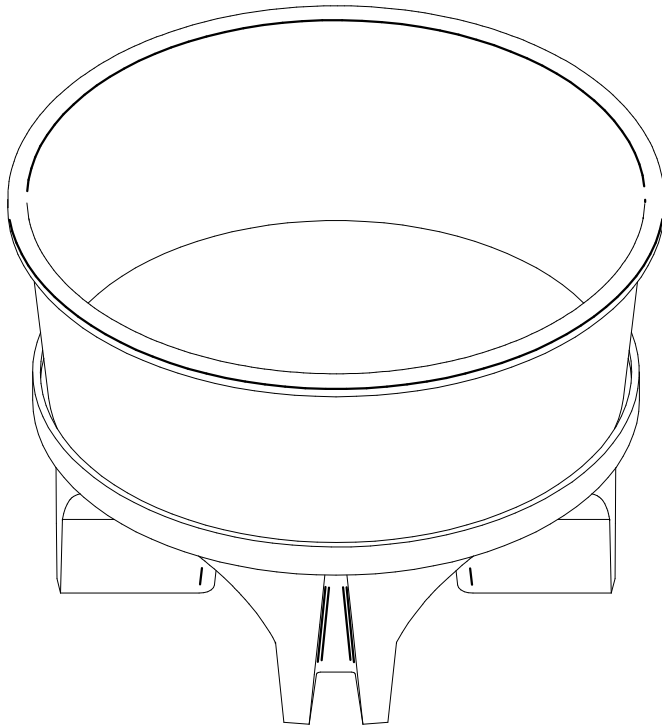

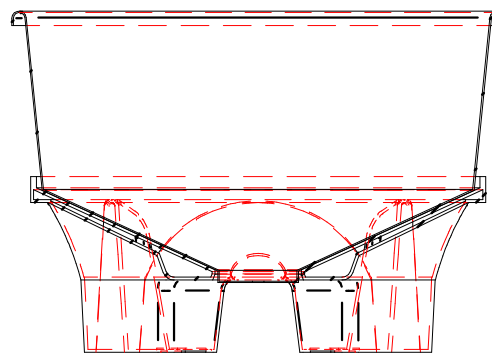
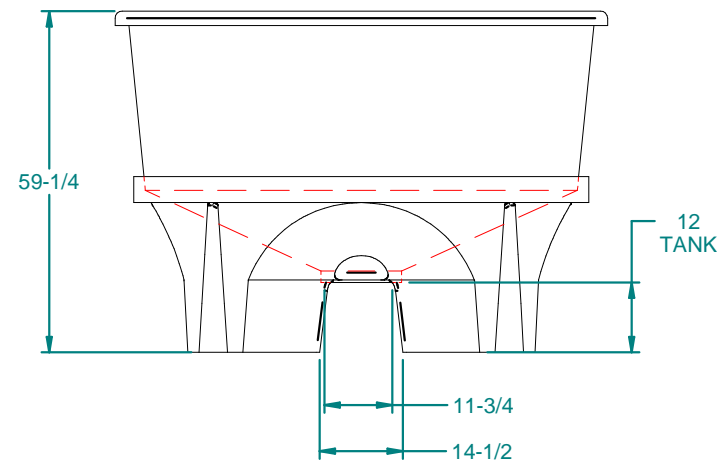
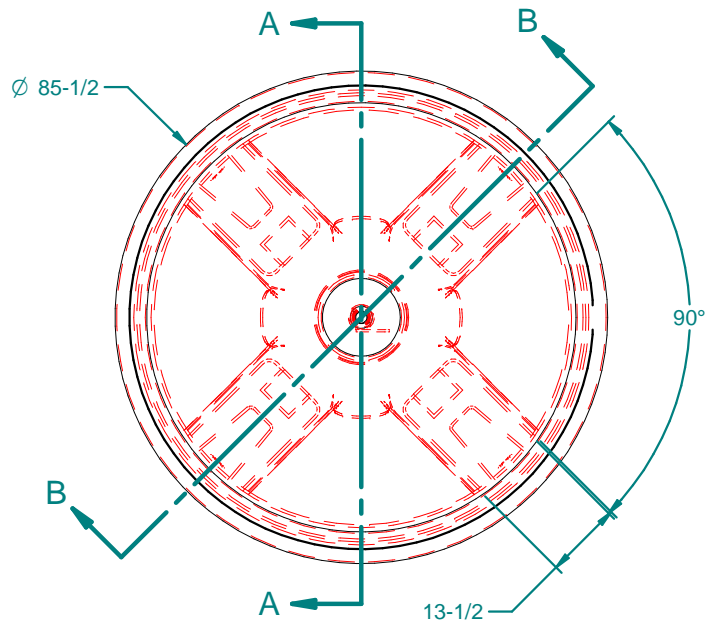


REVISION HISTORY

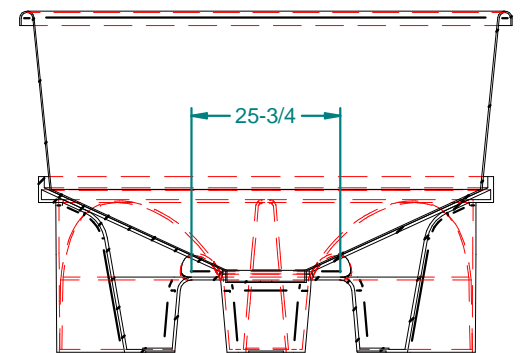
REV	DESCRIPTION	DATE	APPROVED	Revised By
11	RENAMED FOR CAPACITY	02/09/15		



Weight:		NAME	DATE	 16160 Hwy 27 Lake Wales, FL. 33859
Wall Thickness:	Drawn By: mnegron		2/9/2015	
Customer Part No: N/A	Customer APPR			Customer: Dura-Cast Products, Inc.
Print Date: 2/9/2015	Copyright © 2014 Dura-Cast Products, Inc.			Part Title: 700 Gallon Cone Bottom Open Top Tank
Comments: - UNLESS OTHERWISE SPECIFIED DIMENSIONS ARE IN INCHES - Std Radii 3/16"	UNLESS OTHERWISE SPECIFIED TOLERANCES ARE DIMS > 10" ±1% DIMS < 10" ±0.100 WALL THICKNESS ± 20% FLATNESS ± .030 in/in		File Name: 700 Gallon Cone Bottom Open Top Tank 06 - ASSY.dft	
			Size: A	Material: LLDPE
			Part No:	Do Not Scale Sheet: 1 OF 4




SECTION A-A



SECTION B-B

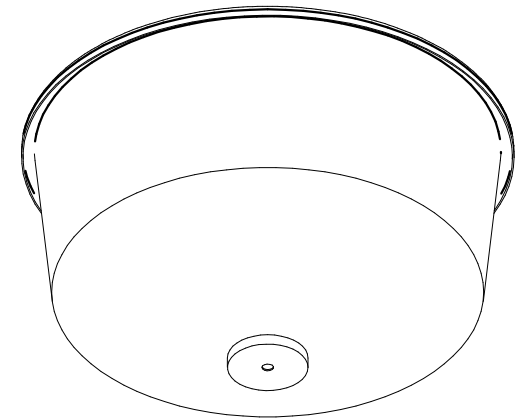
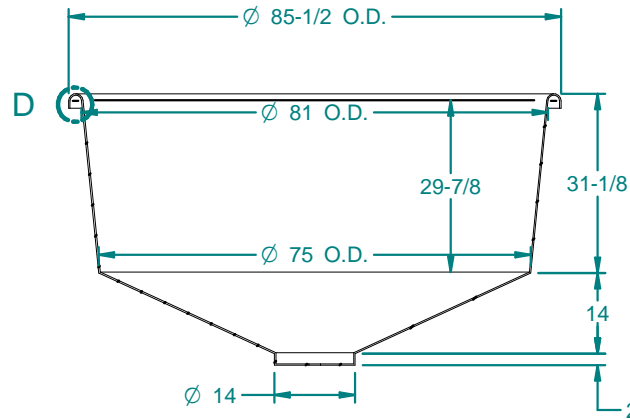
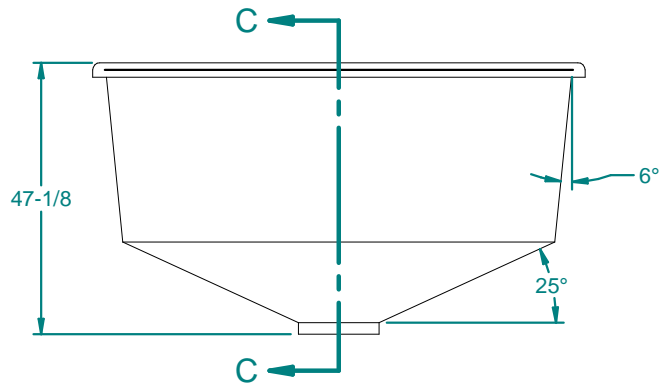
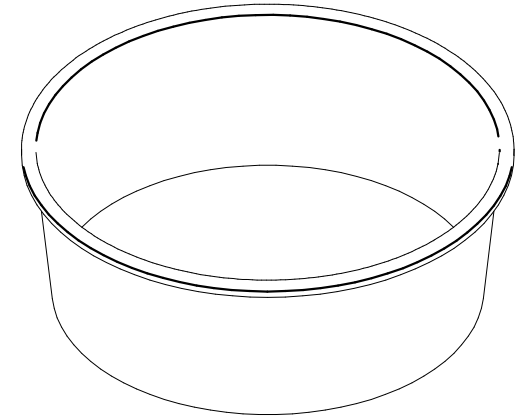
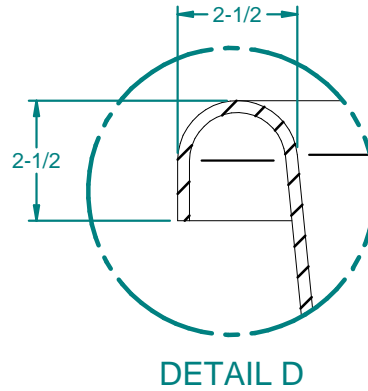
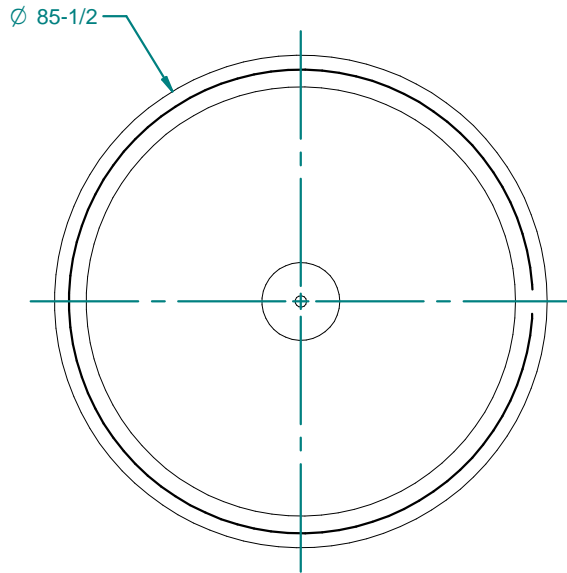
REVISION HISTORY

REV	DESCRIPTION	DATE	APPROVED	Revised By
11	RENAMED FOR CAPACITY	02/09/15		


Weight: 430 lbm	NAME	DATE	 16160 Hwy 27 Lake Wales, FL. 33859	
Wall Thickness:	Drawn By: mnegron	2/9/2015		
Customer Part No: N/A	Customer APPR		Customer: Dura-Cast Products, Inc.	
Print Date: 2/9/2015	Copyright ©2014 Dura-Cast Products, Inc.		Part Title: 700 Gallon Cone Bottom Open Top Tank	
Comments: - UNLESS OTHERWISE SPECIFIED DIMENSIONS ARE IN INCHES - Std Radii 3/16"	UNLESS OTHERWISE SPECIFIED TOLERANCES ARE DIMS > 10" ±1% DIMS < 10" ±0.100 WALL THICKNESS ± 20% FLATNESS ± .030 in/in		File Name: 700 Gallon Cone Bottom Open Top Tank 06 - ASSY.dft	
			Size: A	Material: LLDPE
		Part No:	Do Not Scale	Sheet: 2 OF 4

REVISION HISTORY

REV	DESCRIPTION	DATE	APPROVED	Revised By
11	RENAMED FOR CAPACITY	02/09/15		

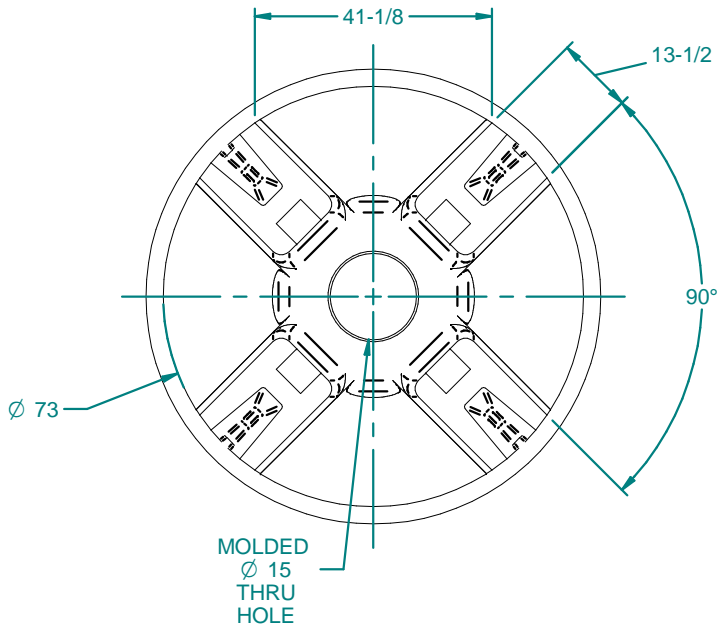
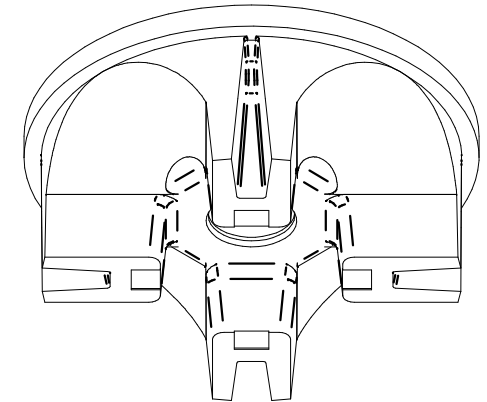
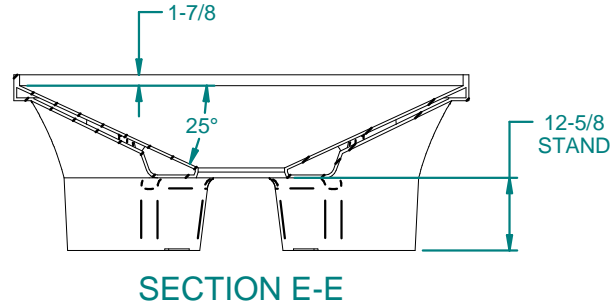
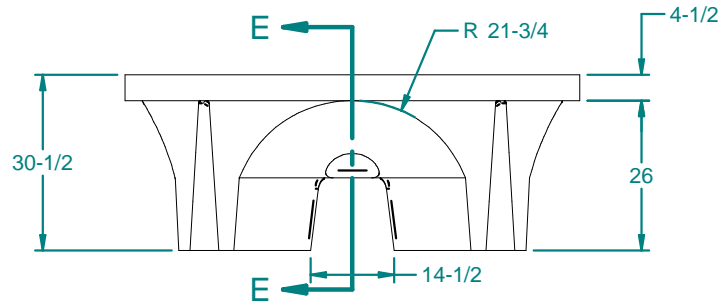
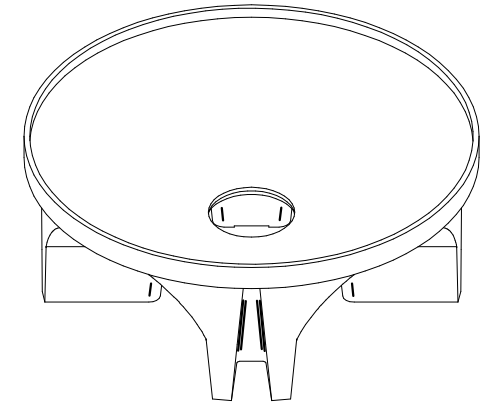
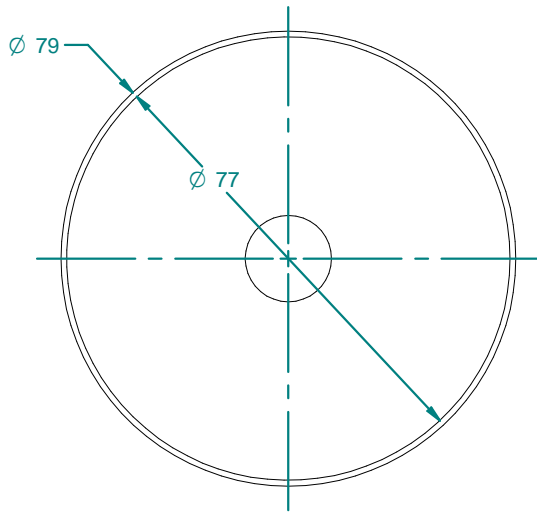



SECTION C-C

Weight: 130 lbm	NAME	DATE	 16160 Hwy 27 Lake Wales, FL. 33859			
Wall Thickness: 0.250 in	Drawn By: mnegron	2/9/2015				
Customer Part No: N/A	Customer APPR		Customer: Dura-Cast Products, Inc.			
Print Date: 2/9/2015	Copyright © 2014 Dura-Cast Products, Inc.		Part Title: 700 Gallon Cone Bottom Open Top Tank			
Comments: - UNLESS OTHERWISE SPECIFIED DIMENSIONS ARE IN INCHES - Std Radii 3/16"	UNLESS OTHERWISE SPECIFIED TOLERANCES ARE: DIMS > 10" ±1% DIMS < 10" ±0.100 WALL THICKNESS ± 20% FLATNESS ± .030 in/in		File Name: 700 Gallon Cone Bottom Open Top Tank 06 - ASSY.dft			
			Size: A	Material: LLDPE	Rev: 11	
			Part No: 940650-A0100XXI	Do Not Scale	Sheet: 3 OF 4	

REVISION HISTORY

REV	DESCRIPTION	DATE	APPROVED	Revised By
11	RENAMED FOR CAPACITY	02/09/15		



Weight: 300 lbm	NAME	DATE	 16160 Hwy 27 Lake Wales, FL. 33859	
Wall Thickness: 0.500 in	Drawn By: mnegron	2/9/2015		
Customer Part No: N/A	Customer APPR		Customer: Dura-Cast Products, Inc.	
Print Date: 2/9/2015	Copyright ©2014 Dura-Cast Products, Inc.		Part Title: 700 Gallon Cone Bottom Open Top Tank	
Comments: - UNLESS OTHERWISE SPECIFIED DIMENSIONS ARE IN INCHES - Std Radii 3/16"	UNLESS OTHERWISE SPECIFIED TOLERANCES ARE DIMS > 10" ±1% DIMS < 10" ±0.100 WALL THICKNESS ± 20% FLATNESS ± .030 in/in		File Name: 700 Gallon Cone Bottom Open Top Tank 06 - ASSY.dft	
	Size: A	Material: LLDPE	Rev: 11	
Part No: 940010-A0101XXI		Do Not Scale	Sheet: 4 OF 4	