

Tank plastic resin is fully FDA compliant based upon manufacturer's specifications

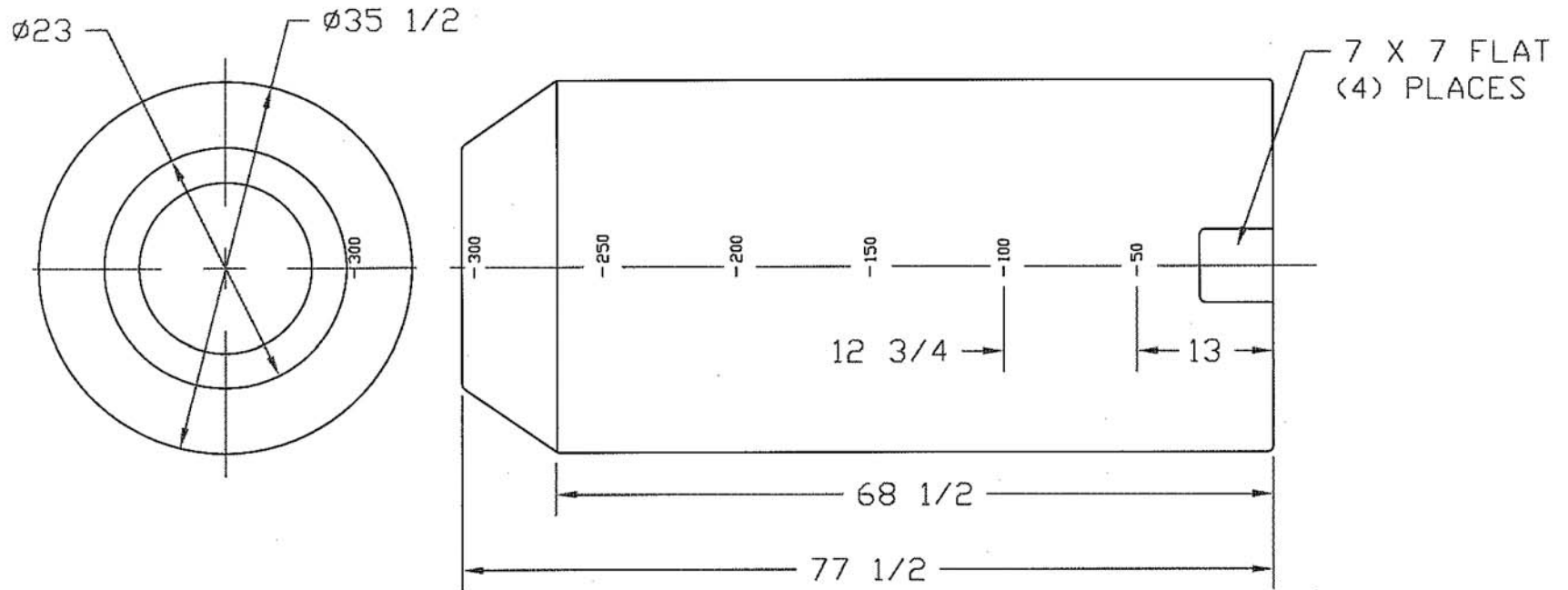
Tank resins are fully UV stabilized

Allow +/- 1% on tank dimensions for overall size variances

Most size tanks are available in standard wall thickness shown, Heavy Duty, or Super Duty

REVISION HISTORY

| REV | DESCRIPTION | DATE | APPROVED |
|-----|-------------|------|----------|
| | | | |



Tank Capacity: 300 Gallons

| | NAME | DATE |
|----------|------|------|
| DRAWN | | |
| CHECKED | | |
| ENG APPR | | |
| MGR APPR | | |

Dura-Cast Products INC.
Rotomolding Plastic for the Future
 16160 Hwy 27 Lake Wales, FL 33859
 800.683.4116 863.638.3200 F 863.638.2443
 www.duracast.com

| | | |
|-----------------------------|-------------------------|-----|
| TITLE Vertical Storage Tank | | REV |
| SIZE A | MATERIAL: LMDPE Natural | |

| | | | |
|----------------|--|---------|--------------|
| Part #: 910300 | | WEIGHT: | SHEET 1 OF 1 |
|----------------|--|---------|--------------|

Wall Thickness:

UNLESS OTHERWISE SPECIFIED
 DIMENSIONS ARE IN INCHES
 ANGLES ±0.5°
 2 PL ±0.125° 3 PL ±0.060°