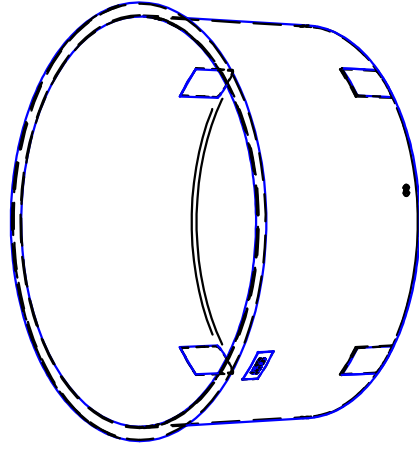


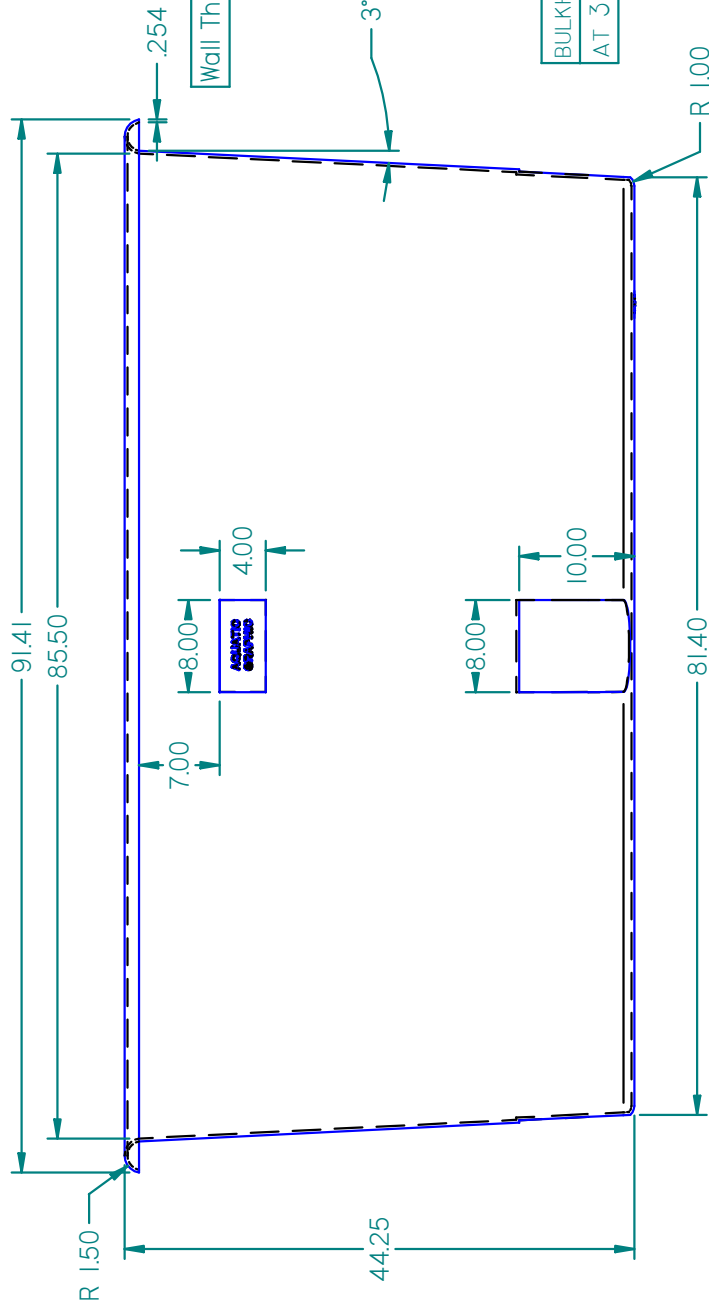
REVISION HISTORY

REV	DESCRIPTION	DATE	APPROVED
1	INCREASED DRAFT ANGLE FROM 2 TO 3 DEGREES	2/11/04	

RELEASED FOR PRODUCTION 2/11/04



ISO View



Front View

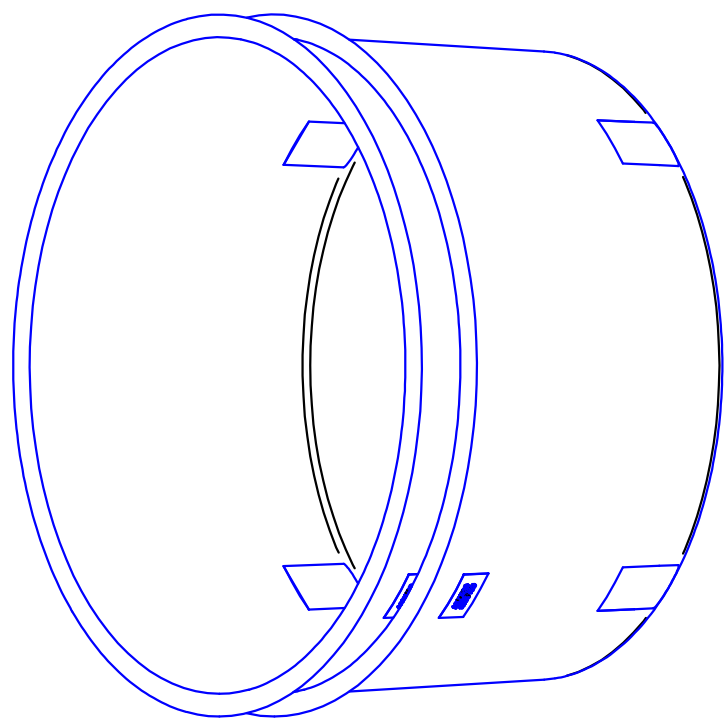
Tank Capacity: 1000 Gallons	
NAME	DATE
DRAWN Michael	2/19/2004
CHECKED	
ENG APPR	
MGR APPR	

UNLESS OTHERWISE SPECIFIED
DIMENSIONS ARE IN INCHES
ANGLES ±0.5°
2 PL ±0.125" 3 PL ±0.060"

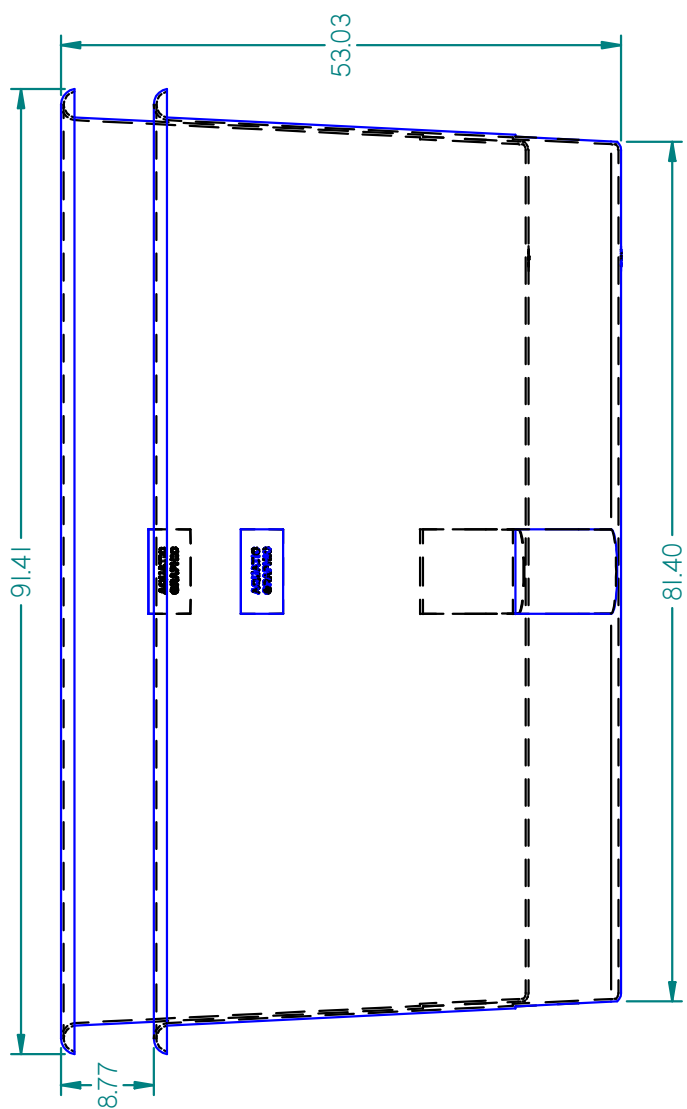
16160 Hwy 27 Lake Wales, FL 33859	
TITLE: 1000 Gallon Open Top	
SIZE: A	MATERIAL: LMDPE (114) Blue
REV: 1	FILE NAME: WT1000.dft
PART #: 501000	WEIGHT: 148.587 lbm
SHEET 1 OF 3	

REVISION HISTORY

REV	DESCRIPTION	DATE	APPROVED
1	INCREASED DRAFT ANGLE FROM 2 TO 3 DEGREES RELEASED FOR PRODUCTION	2/11/04 2/11/04	



ISO View Nested



Nested View



16160 Hwy 27 Lake Wales, FL 33859

TITLE: 1000 Gallon Open Top

SIZE	A	MATERIAL: LMDPE (114) Blue	REV	1
------	---	----------------------------	-----	---

FILE NAME: WT1000.dft

PART #	501000	WEIGHT	148.587 lbm	SHEET	2 OF 3
--------	--------	--------	-------------	-------	--------

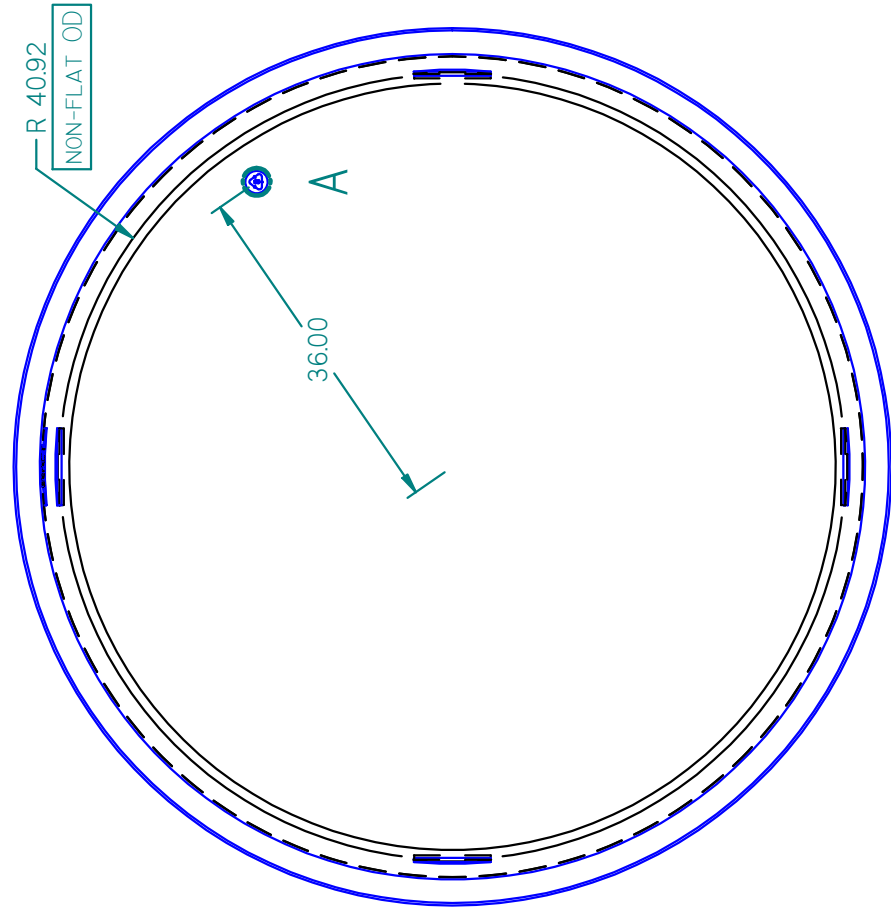
Tank Capacity: 1000 Gallons	
NAME	DATE
DRAWN: Michael	2/19/2004
CHECKED	
ENG APPR	
MGR APPR	
UNLESS OTHERWISE SPECIFIED DIMENSIONS ARE IN INCHES ANGLES ±0.5° 2 PL ±0.125" 3 PL ±0.060"	

REVISION HISTORY

REV	DESCRIPTION	DATE	APPROVED
I	INCREASED DRAFT ANGLE FROM 2 TO 3 DEGREES	2/11/04	

2/11/04

RELEASED FOR PRODUCTION



Recycle Logo
#2, HDPE



DETAIL A

NOTE: LOGO LOCATION NOT CRITICAL, CANNOT BE ON CENTER.

Bottom View

Tank Capacity: 1000 Gallons		Dura-Cast Products INC. <i>Advancing Plastics for the Future</i>	
NAME	DATE	16160 Hwy 27 Lake Wales, FL 33859	
DRAWN Michael	2/19/2004	TITLE: 1000 Gallon Open Top	
CHECKED		SIZE A	REV I
ENG APPR		MATERIAL: LMDPE (114) Blue	
MGR APPR		FILE NAME: WT1000.dft	
UNLESS OTHERWISE SPECIFIED DIMENSIONS ARE IN INCHES ANGLES ±0.5°		PART #: 501000	WEIGHT: 148.587 lbm
2 PL ±0.125" 3 PL ±0.060"		SHEET 3 OF 3	