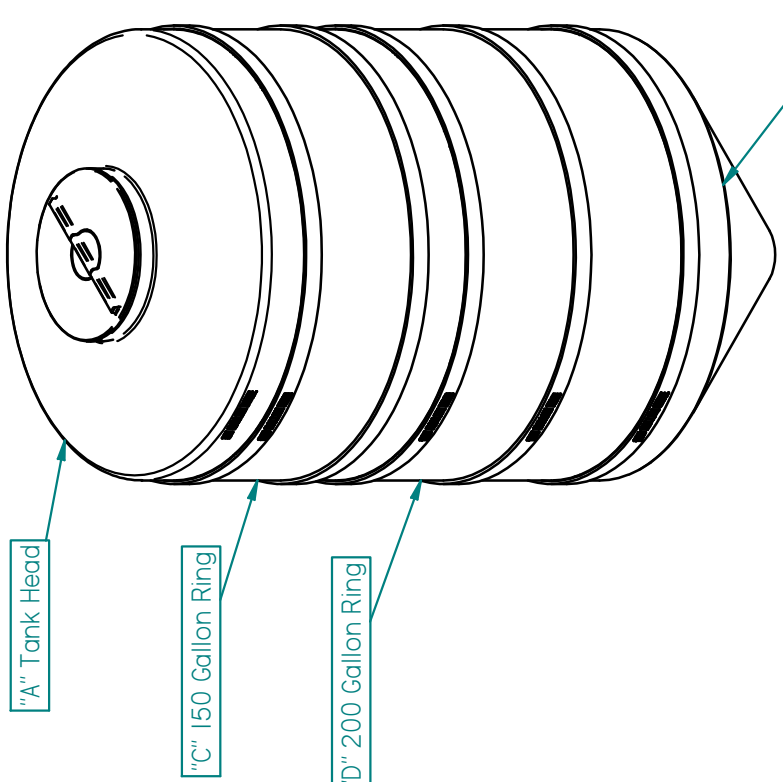
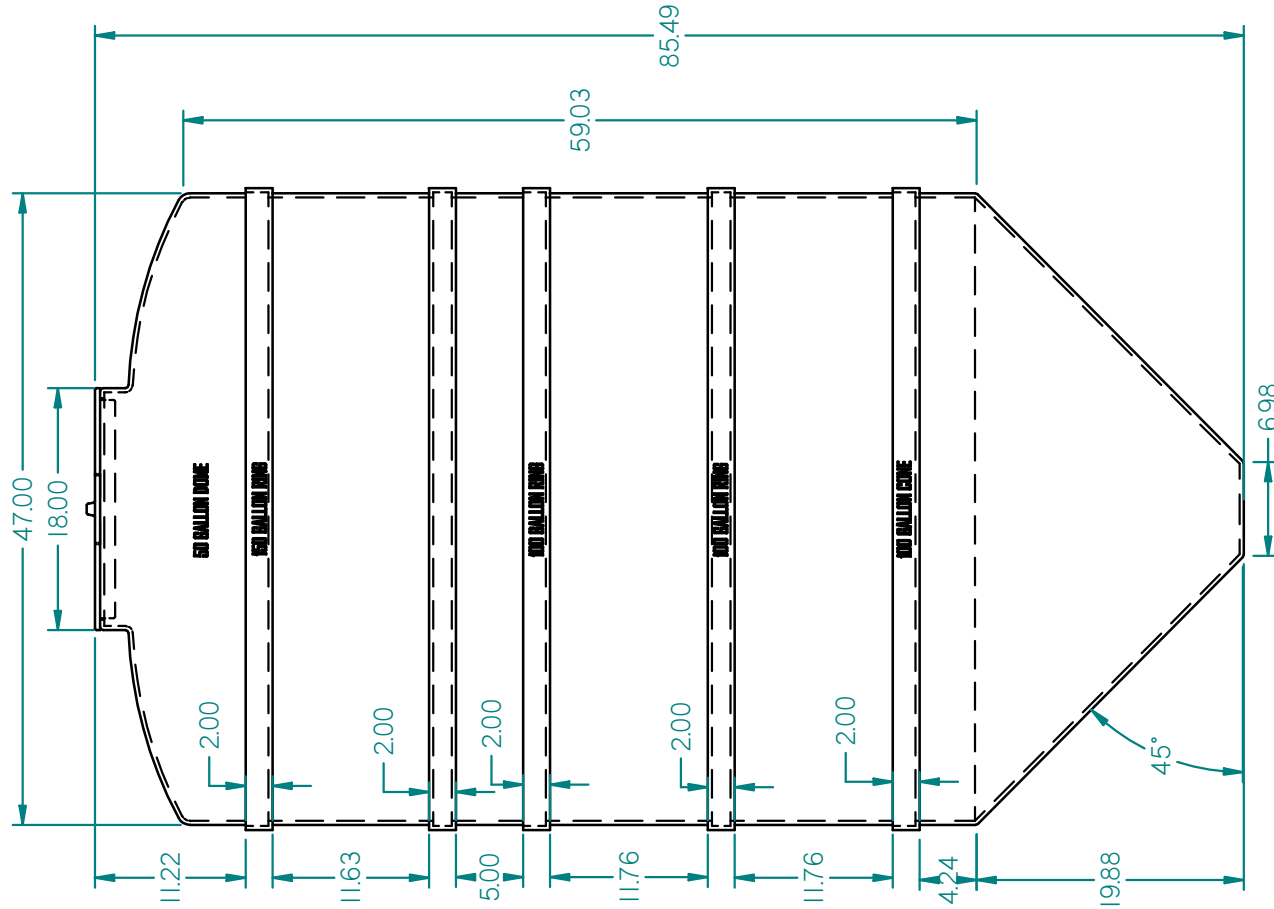


REVISION HISTORY

REV	DESCRIPTION	DATE	APPROVED
	APPROVED FOR PRODUCTION	10/1/2003	



Tank Mold Assembly Requires "A" Tank Head, "C" 150 Gallon Ring, "D" 200 Gallon Ring, and "E" Tank Cone Sections.

**DURA-CAST**  
 PRODUCTS, INC. 800-683-4116  
 16160 Hwy 27 Lake Wales, FL 33859

NAME	DATE
Michael	11/7/2005
ENG APPR	
MGR APPR	

TITLE	500 Gallon Cone Tank
SIZE	A
MATERIAL	LMDPE Natural
REV	

FILE NAME	500GalCone.dft
PART #	930501HD
WEIGHT	
SHEET	1 OF 1

UNLESS OTHERWISE SPECIFIED  
 DIMENSIONS ARE IN INCHES  
 ANGLES ±0.5°  
 2 PL ±0.125" 3 PL ±0.060"