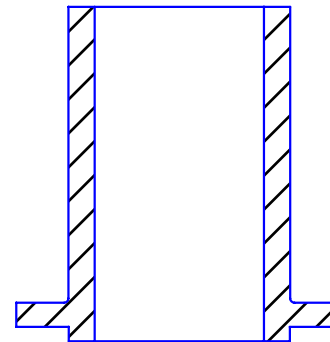
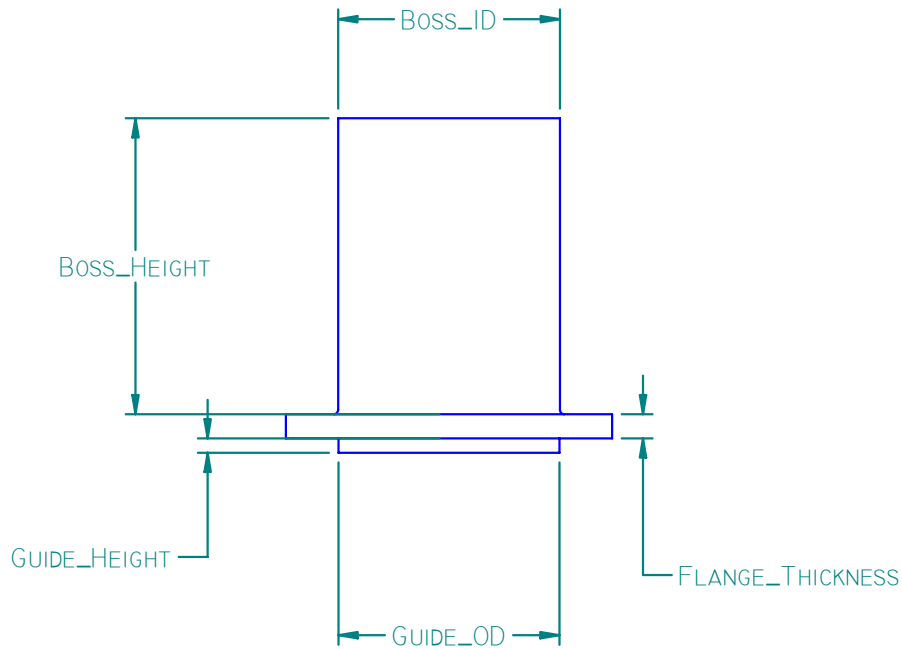
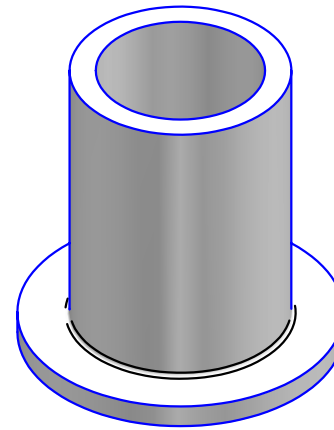
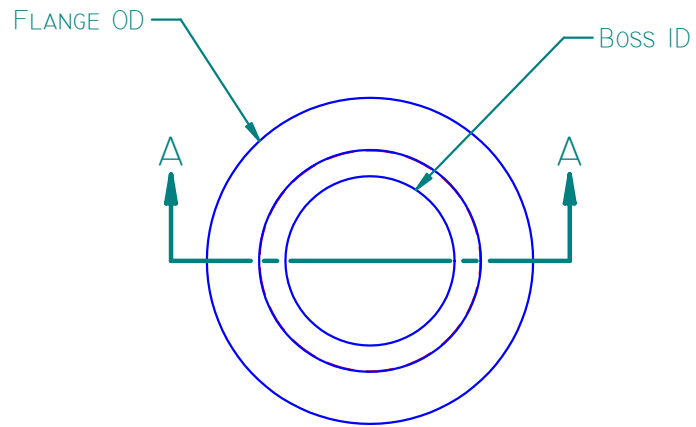



REVISION HISTORY

REV	DESCRIPTION	DATE	APPROVED



SECTION A-A

WALL THICKNESS:

			16160 Hwy 27 Lake Wales, FL 33859																
<table border="1"> <thead> <tr> <th> </th> <th>NAME</th> <th>DATE</th> </tr> </thead> <tbody> <tr> <td>DRAWN</td> <td>MPUTT</td> <td>10/6/2004</td> </tr> <tr> <td>CHECKED</td> <td> </td> <td> </td> </tr> <tr> <td>ENG APPR</td> <td> </td> <td> </td> </tr> <tr> <td>MGR APPR</td> <td> </td> <td> </td> </tr> </tbody> </table>		NAME	DATE	DRAWN	MPUTT	10/6/2004	CHECKED			ENG APPR			MGR APPR			TITLE 1-1/2" Boss SWF			REV
	NAME	DATE																	
DRAWN	MPUTT	10/6/2004																	
CHECKED																			
ENG APPR																			
MGR APPR																			
UNLESS OTHERWISE SPECIFIED DIMENSIONS ARE IN INCHES ANGLES ±0.5° 2 PL ±0.125" 3 PL ±0.060"			SIZE A	MATERIAL: LDPE															
FILE NAME: Boss SWF GENERIC.DFT			PART#: 705004	WEIGHT: 0.074 LBM															
SHEET 1 OF 1			SHEET 1 OF 1																