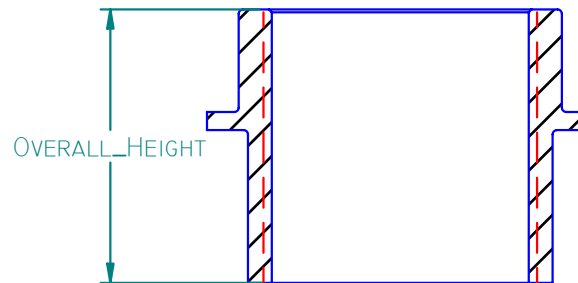
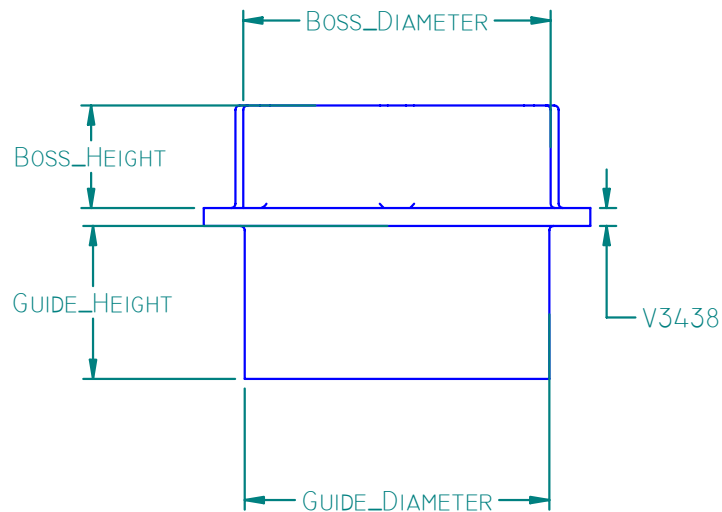
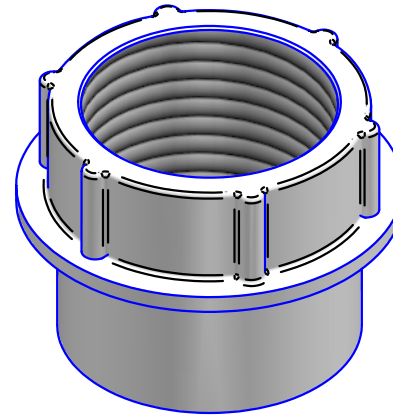
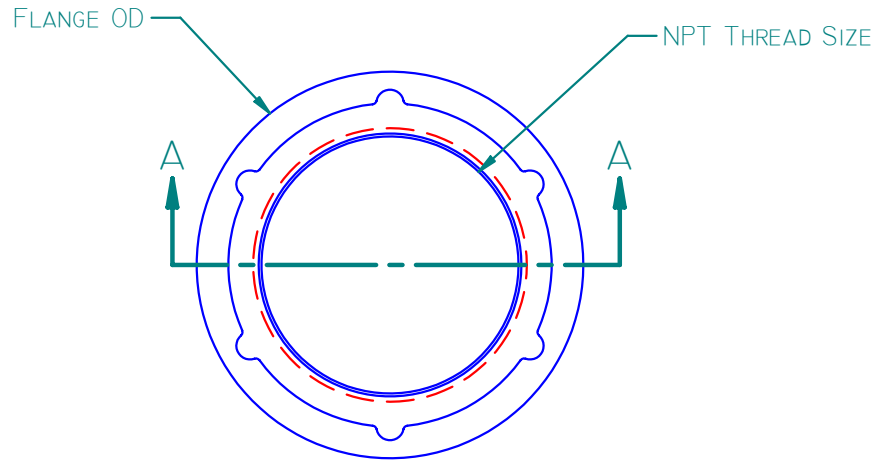



REVISION HISTORY

REV	DESCRIPTION	DATE	APPROVED



SECTION A-A

WALL THICKNESS:

DRAWN		NAME		DATE		 16160 Hwy 27 Lake Wales, FL 33859	
CHECKED		ENG APPR		MGR APPR			
TITLE		SIZE		MATERIAL		REV	
1-1/2" DOUBLE END SWF		A		LDPE			
FILE NAME: DOUBLE END SWF GENERIC.DFT							
PART#		WEIGHT		SHEET			
705027		0.087 LBM		1 OF 1			

UNLESS OTHERWISE SPECIFIED
 DIMENSIONS ARE IN INCHES
 ANGLES ±0.5°
 2 PL ±0.125" 3 PL ±0.060"