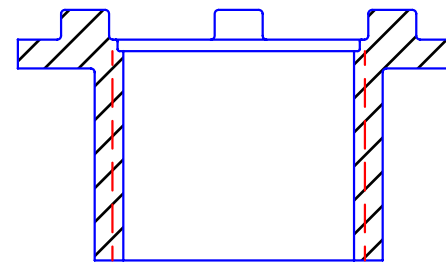
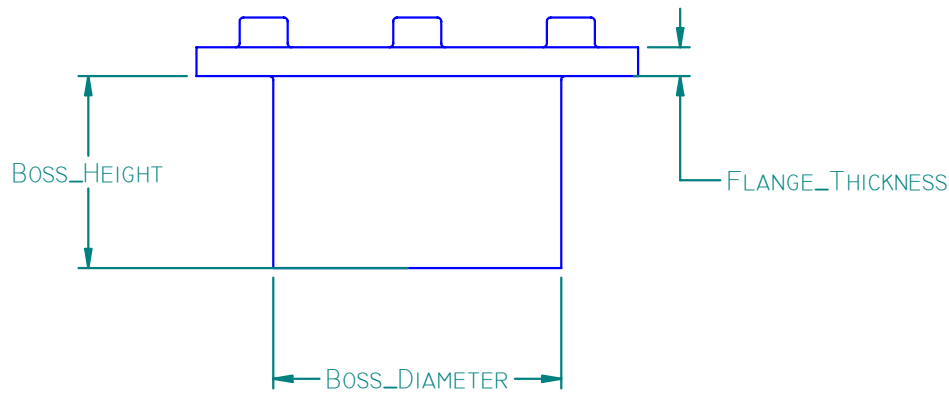
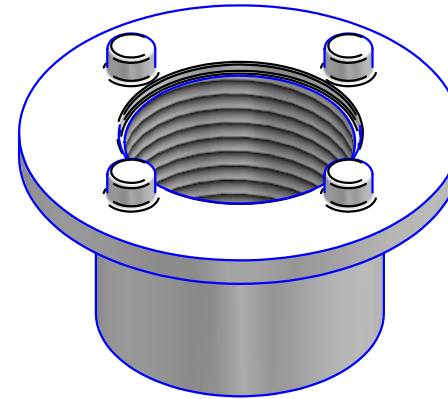
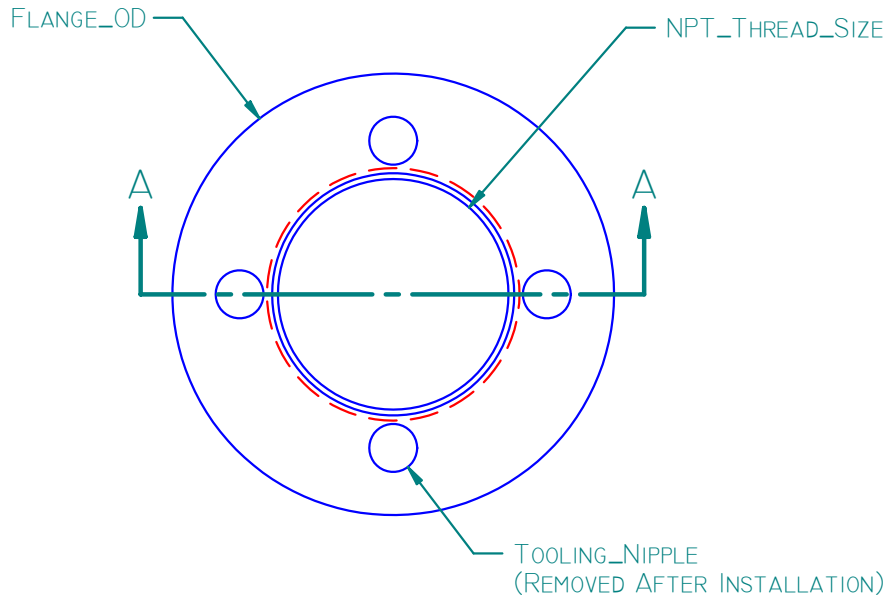



REVISION HISTORY

REV	DESCRIPTION	DATE	APPROVED



SECTION A-A

WALL THICKNESS:

			16160 Hwy 27 Lake Wales, FL 33859	
DRAWN MPUTT 4/30/2004		TITLE 1" NPT FLUSH SWF		
CHECKED		SIZE A	MATERIAL: LDPE	REV
ENG APPR		FILE NAME: FLUSH SWF GENERIC.DFT		
MGR APPR		PART#: 705007A	WEIGHT: 0.038 LBM	SHEET 1 OF 1
UNLESS OTHERWISE SPECIFIED DIMENSIONS ARE IN INCHES ANGLES ±0.5° 2 PL ±0.125" 3 PL ±0.060"				