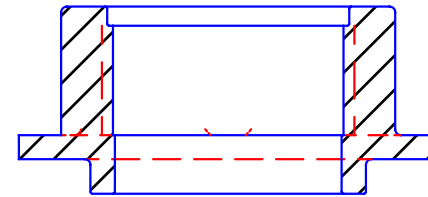
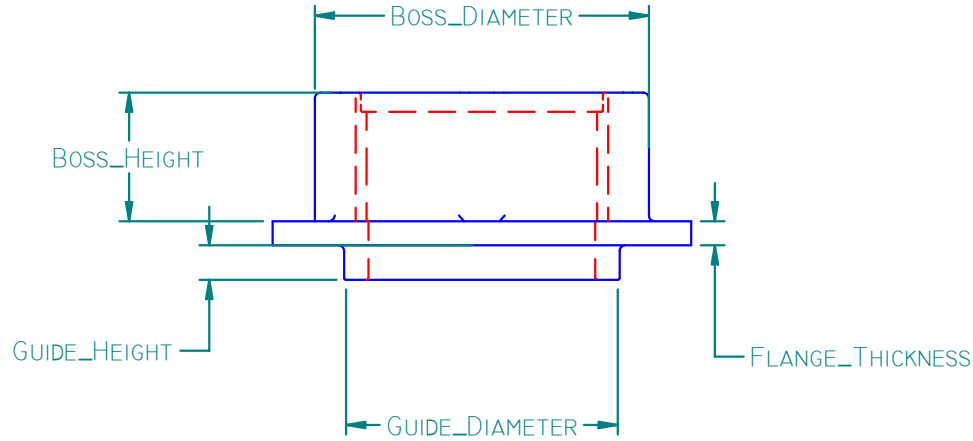
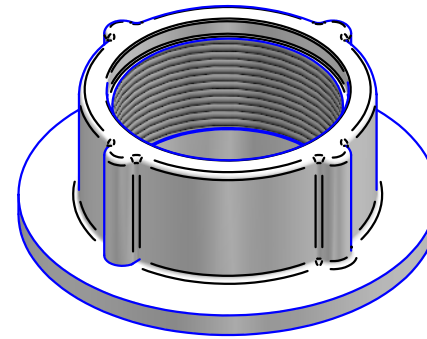
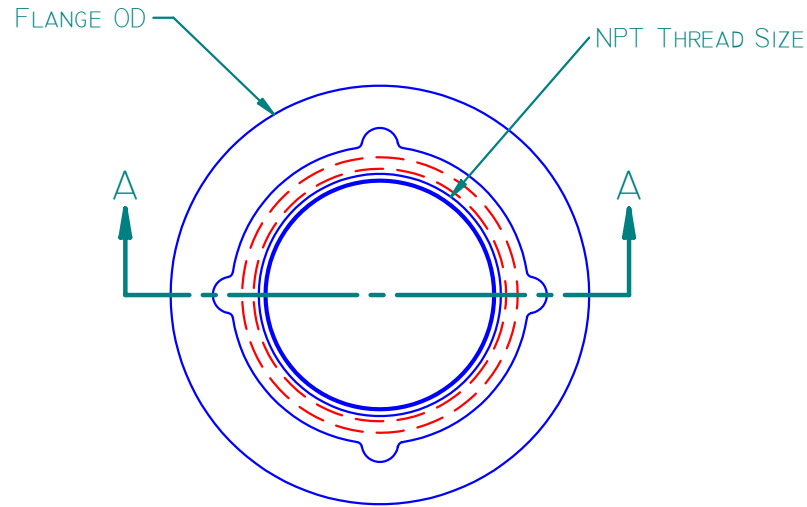



REVISION HISTORY

REV	DESCRIPTION	DATE	APPROVED



SECTION A-A

WALL THICKNESS:

 16160 Hwy 27 Lake Wales, FL 33859																	
<table border="1"> <thead> <tr> <th> </th> <th>NAME</th> <th>DATE</th> </tr> </thead> <tbody> <tr> <td>DRAWN</td> <td>MPUTT</td> <td>10/6/2004</td> </tr> <tr> <td>CHECKED</td> <td> </td> <td> </td> </tr> <tr> <td>ENG APPR</td> <td> </td> <td> </td> </tr> <tr> <td>MGR APPR</td> <td> </td> <td> </td> </tr> </tbody> </table>		NAME	DATE	DRAWN	MPUTT	10/6/2004	CHECKED			ENG APPR			MGR APPR			TITLE 1" RAISED FPT SWF	
	NAME	DATE															
DRAWN	MPUTT	10/6/2004															
CHECKED																	
ENG APPR																	
MGR APPR																	
UNLESS OTHERWISE SPECIFIED DIMENSIONS ARE IN INCHES ANGLES ±0.5° 2 PL ±0.125" 3 PL ±0.060"	SIZE A	MATERIAL: LDPE	REV														
FILE NAME: RAISED SWF GENERIC.DFT																	
PART#: 705015	WEIGHT: 0.033 LBM	SHEET 1 OF 1															