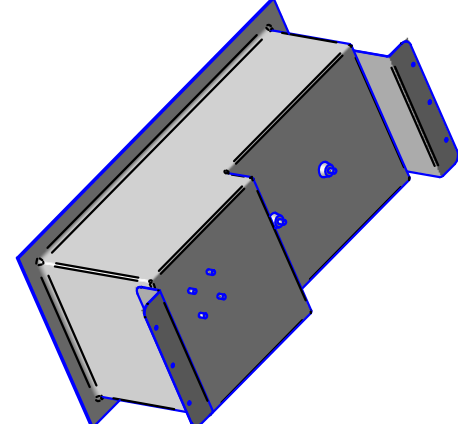
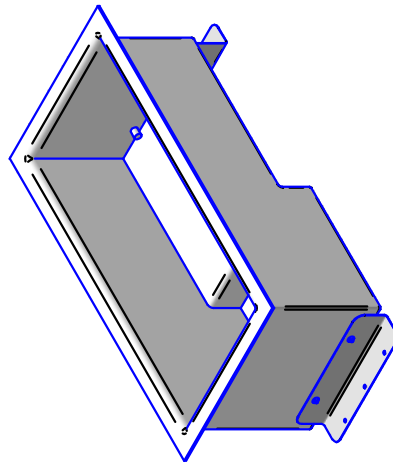
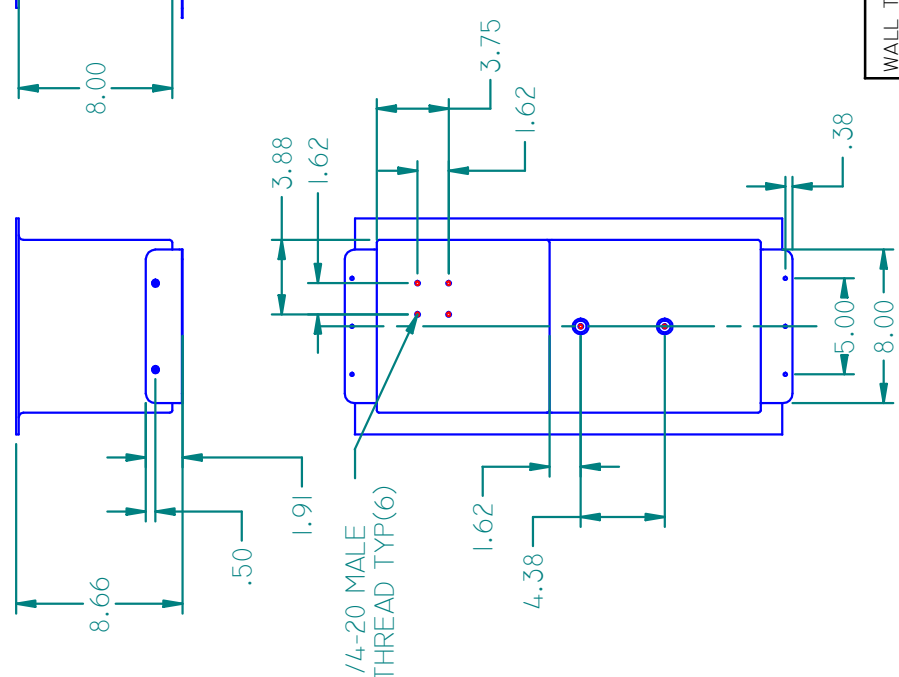
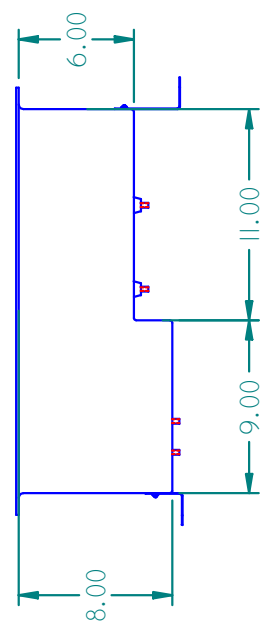
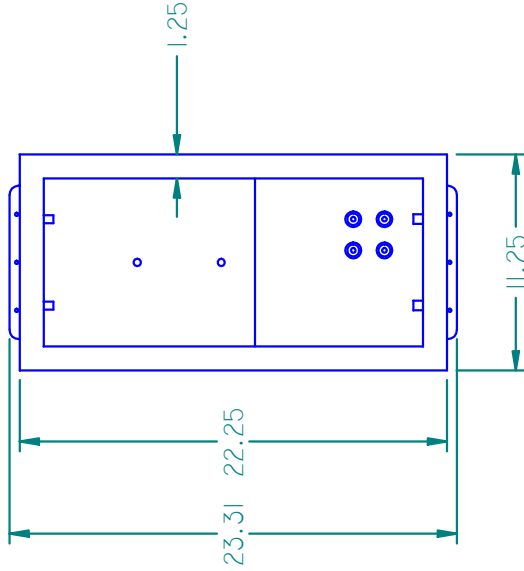


REVISION HISTORY

| REV | DESCRIPTION | DATE | APPROVED |
|-----|-------------|------|----------|
| | | | |



16160 Hwy 27 Lake Wales, FL 33859

TITLE: 5 GAL SUMP WITH MOUNTS

| SIZE | MATERIAL | REV |
|------|----------|-----|
| A | PE | |

FILE NAME: SHOWER SUMP 100006.DFT

| PART# | WEIGHT | SHEET | OF |
|--------|--------|-------|----|
| 100006 | | 1 | 1 |

| NAME | DATE |
|----------|-----------|
| MNEGRON | 1/27/2005 |
| CHECKED | |
| ENG APPR | |
| MGR APPR | |

UNLESS OTHERWISE SPECIFIED
DIMENSIONS ARE IN INCHES
ANGLES ±0.5°
2 PL ±0.125" 3 PL ±0.060"

WALL THICKNESS: 0.125 IN

1/4-20 MALE
THREAD TYP(6)