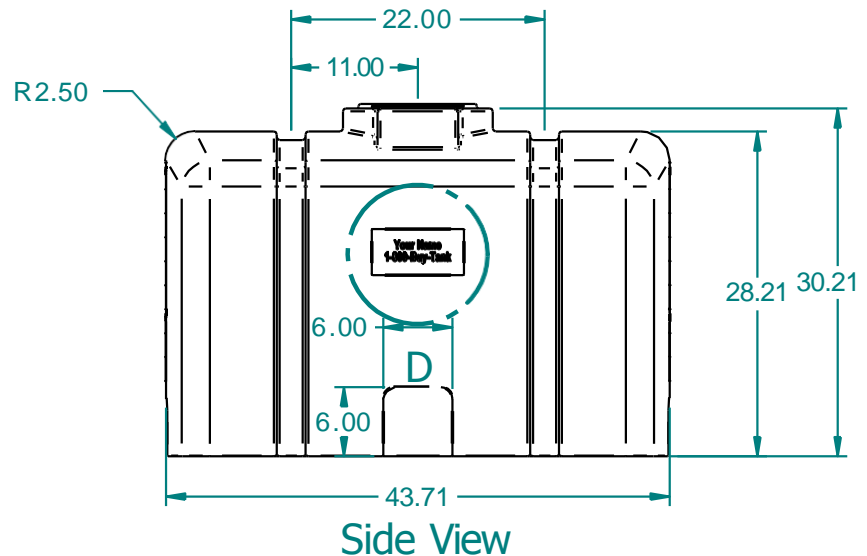
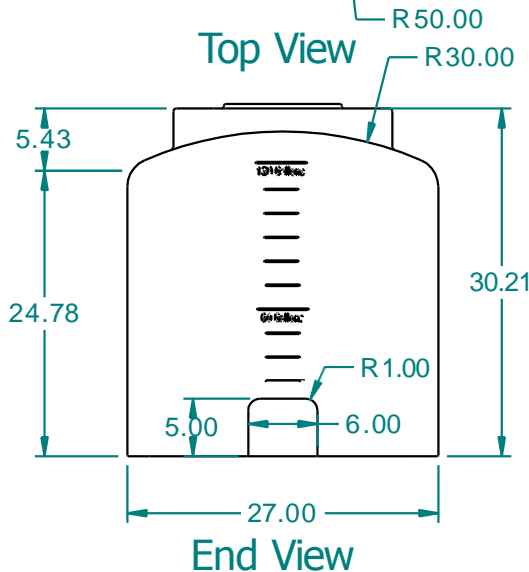


label or graphic area
2 plcs

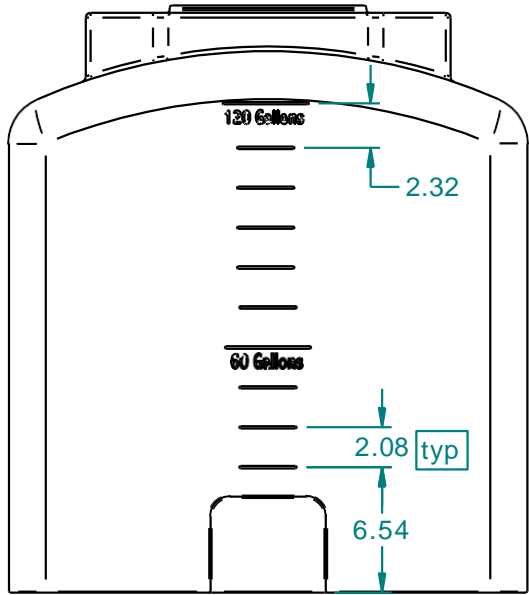
flats for bulkhead
4 plcs



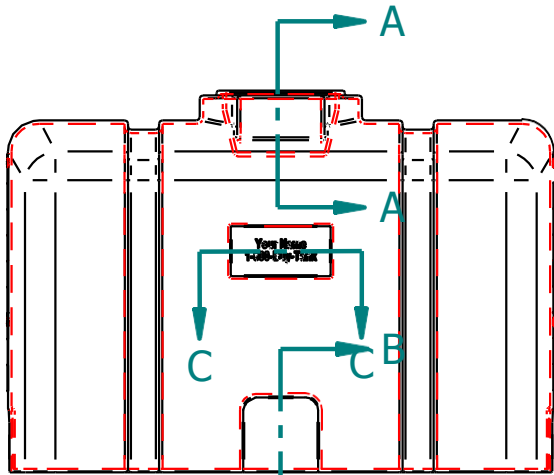
Side View

| REVISION HISTORY | | | |
|------------------|---------------------|----------|----------|
| REV | DESCRIPTION | DATE | APPROVED |
| 11 | CHANGED PART NUMBER | 12/10/12 | |

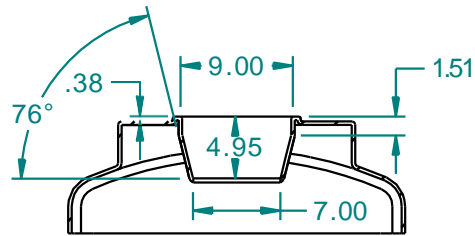
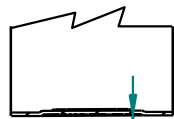
| | | | | |
|---|------------|--|--|------------------------------|
| Tank Capacity: 125 Gallons | | | 16160 Hwy 27 Lake Wales, FL 33859 | |
| DRAWN | NAME: Dave | | DATE: 5/8/2006 | TITLE: 125 Gallon Horz Tank |
| CHECKED | | | SIZE: A | MATERIAL: HDPE (200) Natural |
| ENG APPR | | | FILE NAME: 125 Gallon Hoaf Tank -x.dft | REV: 1 |
| MGR APPR | | | PART#: 920124 | WEIGHT: 56.644 lbm |
| UNLESS OTHERWISE SPECIFIED DIMENSIONS ARE IN INCHES ANGLES ±0.5° 2 PL ±0.125" 3 PL ±0.060" | | | SHEET 1 OF 3 | |



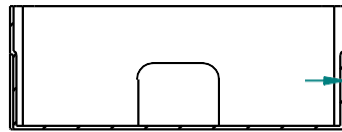
End View



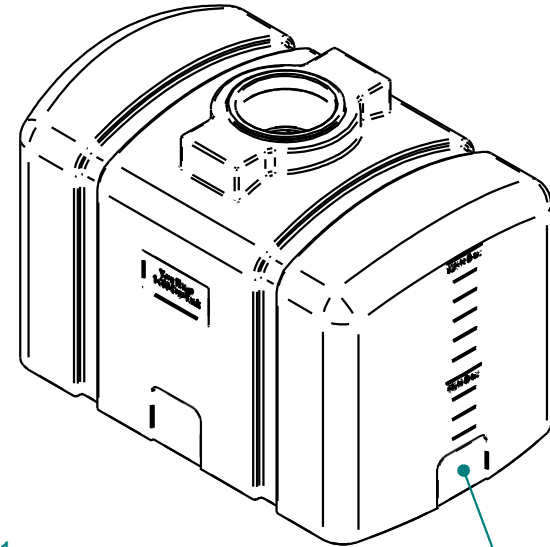
SECTION C-C



SECTION A-A



SECTION B-B



| REVISION HISTORY | | | |
|------------------|---------------------|----------|----------|
| REV | DESCRIPTION | DATE | APPROVED |
| 11 | CHANGED PART NUMBER | 12/10/12 | |



| | NAME | DATE |
|----------|------|----------|
| DRAWN | Dave | 5/8/2006 |
| CHECKED | | |
| ENG'G PR | | |
| MGR'G PR | | |

16160 Hwy 27 Lake Wales, FL 33859

TITLE 125 Gallon Hoaf Tank

| | | |
|-----------|------------------------------|----------|
| SIZE A | MATERIAL: HDPE (200) Natural | REV 1 |
|-----------|------------------------------|----------|

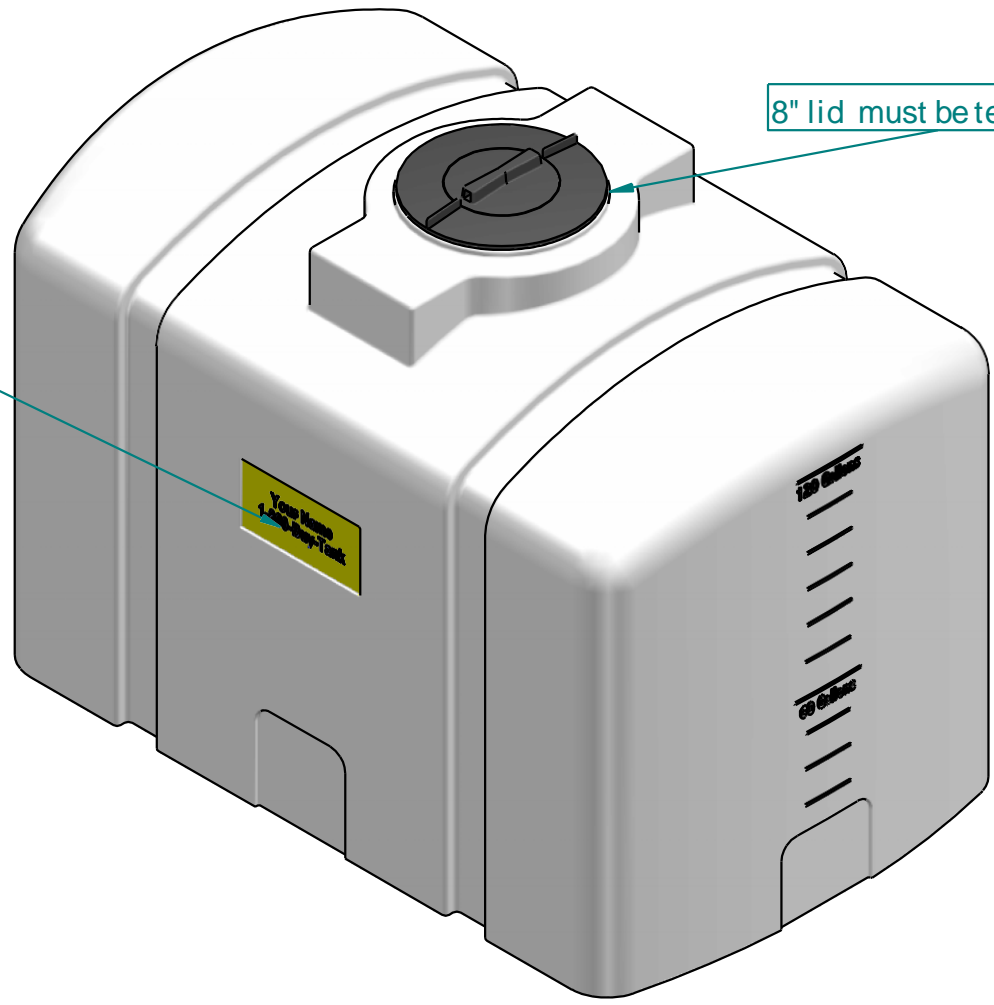
UNLESS OTHERWISE SPECIFIED
DIMENSIONS ARE IN INCHES
ANGLES ± 0.5°
2 PL ± 0.125" 3 PL ± 0.060"

FILE NAME: 125 Gallon Hoaf Tank -x.dft

| | | |
|---------------|--------------------|--------------|
| PART#: 920124 | WEIGHT: 56.644 lbm | SHEET 2 OF 3 |
|---------------|--------------------|--------------|

REVISION HISTORY

| REV | DESCRIPTION | DATE | APPROVED |
|-----|---------------------|----------|----------|
| 11 | CHANGED PART NUMBER | 12/10/12 | |



8" lid must be tethered to inside cone

customer label or graphic
2 plcs

tank shown assembled
with 8" manway



| | | | | |
|---|------|----------|--|----------------------------------|
| | NAME | DATE | 16160 Hwy 27 Lake Wales, FL 33859 | |
| DRAWN | Dave | 5/8/2006 | TITLE 125 Gallon Horz Tank | |
| CHECKED | | | SIZE A | MATERIAL HDPE (200) Natural |
| ENG APPR | | | REV | 1 |
| MGR APPR | | | FILE NAME: 125 Gallon Hoaf Tank -x.dft | |
| UNLESS OTHERWISE SPECIFIED DIMENSIONS ARE IN INCHES ANGLES ±0.5° 2 PL ±0.125" 3 PL ±0.060" | | | PART#: 920124 | WEIGHT: 56.644 lb m SHEET 3 OF 3 |