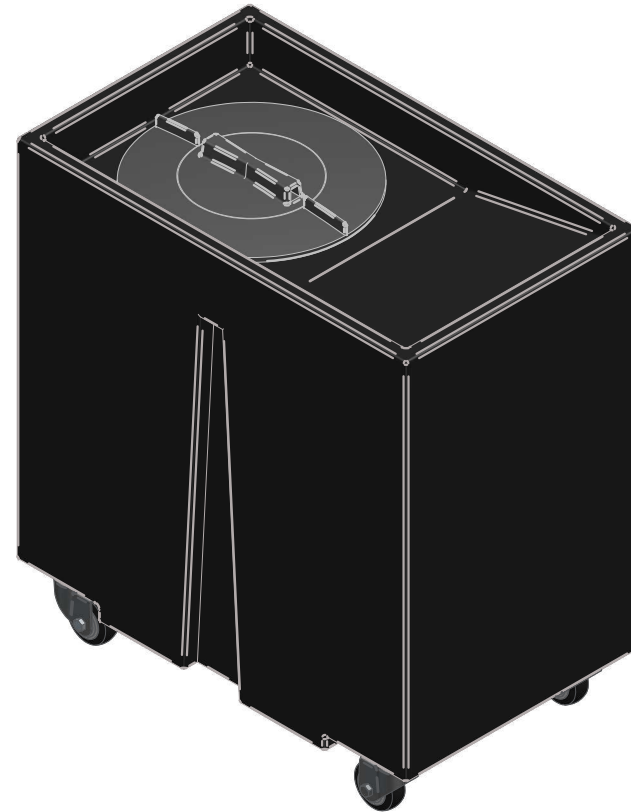
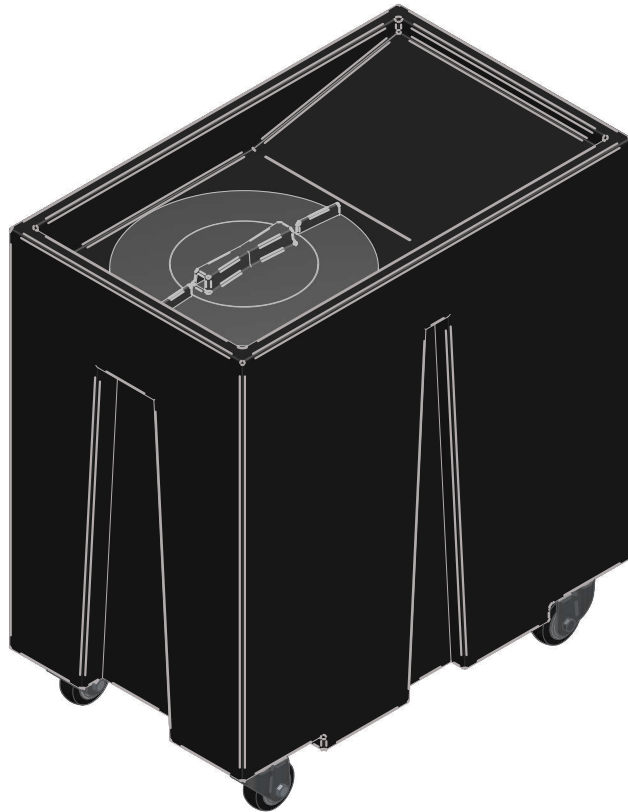



REVISION HISTORY

REV	DESCRIPTION	DATE	APPROVED	Revised By
00	Initial Design Release	4/12/2017		

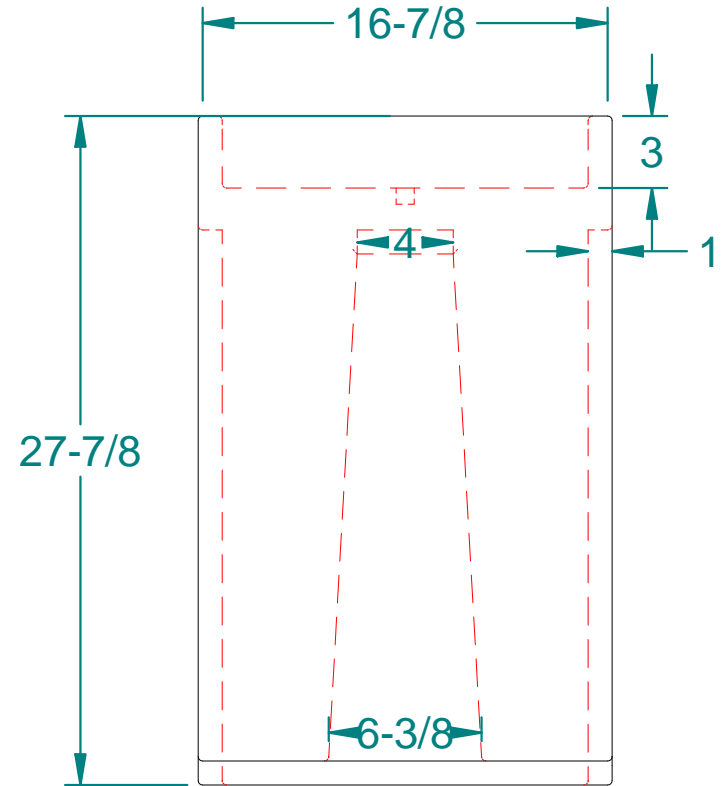
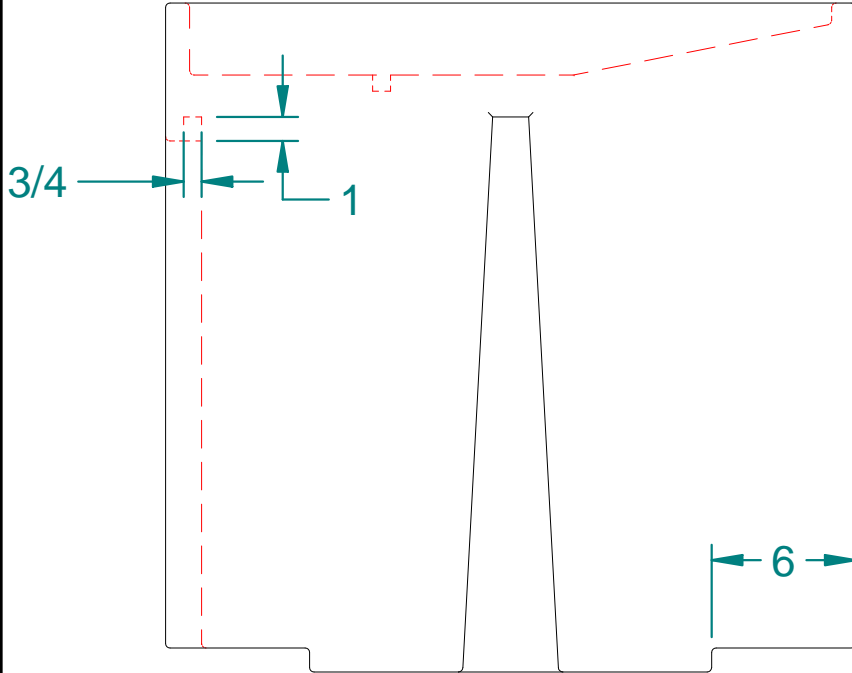
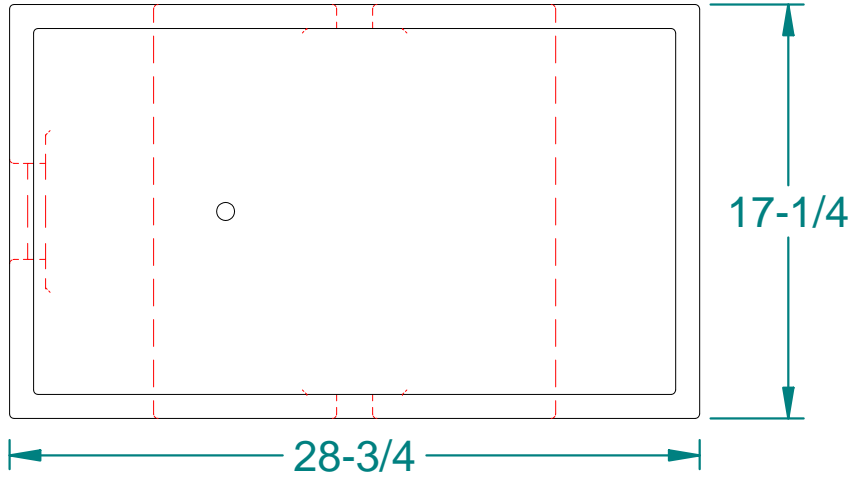



Weight: 46.205 lbm		NAME	DATE	 <p>16160 Hwy 27 Lake Wales, FL. 33859</p>		
Wall Thickness: 1/4" NOMINAL	Drawn By: pvilla		4/12/2017			
Customer Part No: TBD	Customer APPR			Customer: DuraCast Products, Inc.		
Print Date: 5/5/2017	Copyright ©2017 Dura-Cast Products, Inc.			Part Title: 50 Gallon Grease Caddy		
Comments: - UNLESS OTHERWISE SPECIFIED DIMENSIONS ARE IN INCHES - Std Radii 3/16"	UNLESS OTHERWISE SPECIFIED TOLERANCES ARE DIMS > 10" ±1% DIMS < 10" ±0.100 WALL THICKNESS ± 20% FLATNESS ± .030 in/in		File Name: 50 Gall Grease Caddy 01.dft			
			Size: A	Material: LMDPE	Rev: 00	
			Part No: TBD	Do Not Scale	Sheet: 1 OF 4	

Molded Part

REVISION HISTORY

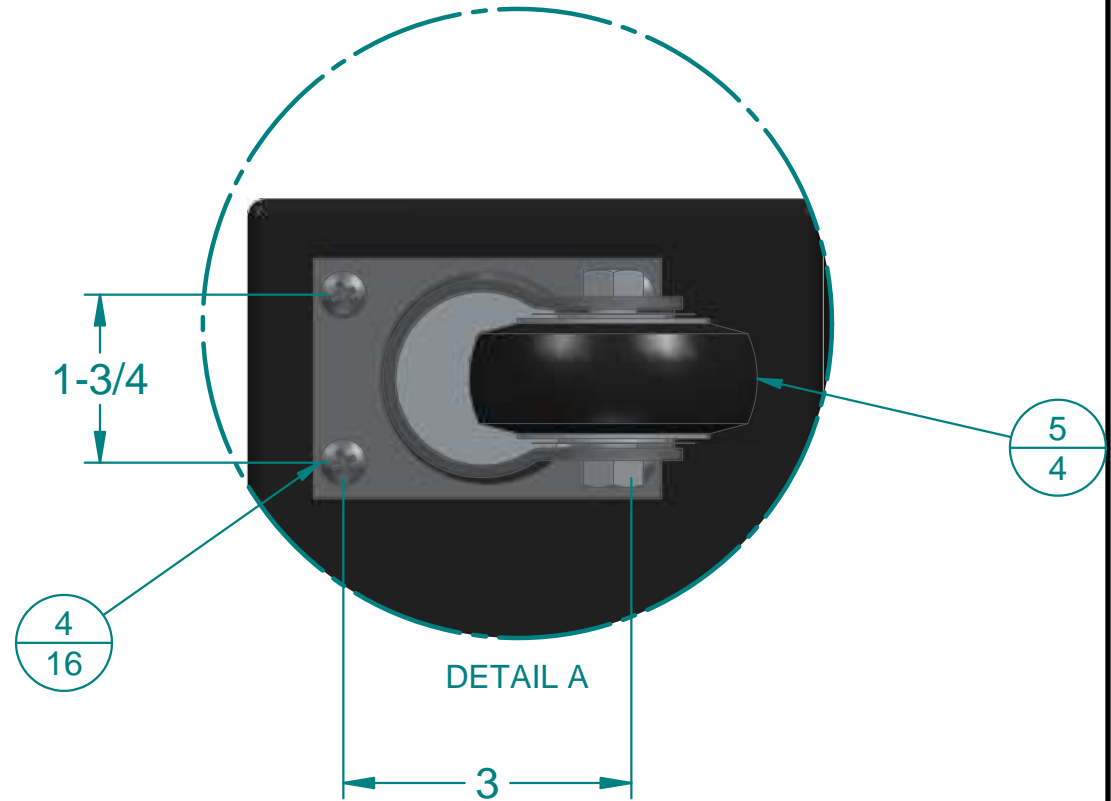
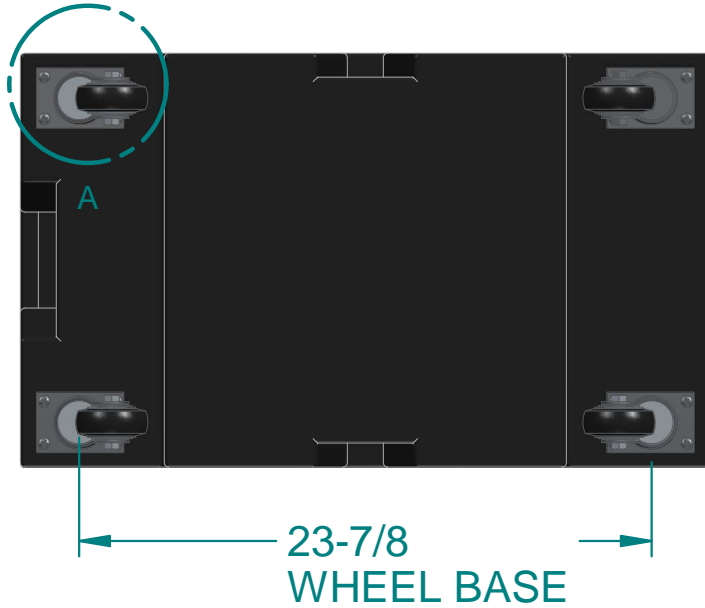
REV	DESCRIPTION	DATE	APPROVED	Revised By
00	Initial Design Release	4/12/2017		




Weight: 46.205 lbm	NAME	DATE	 16160 Hwy 27 Lake Wales, FL. 33859	
Wall Thickness: 1/4" NOMINAL	Drawn By: pvilla	4/12/2017		
Customer Part No: TBD	Customer APPR		Customer: DuraCast Products, Inc.	
Print Date: 5/5/2017	Copyright © 2017 Dura-Cast Products, Inc.		Part Title: 50 Gallon Grease Caddy	
Comments: - UNLESS OTHERWISE SPECIFIED DIMENSIONS ARE IN INCHES - Std Radii 3/16"	UNLESS OTHERWISE SPECIFIED TOLERANCES ARE DIMS > 10" ±1% DIMS < 10" ±0.100 WALL THICKNESS ± 20% FLATNESS ± .030 in/in		File Name: 50 Gall Grease Caddy 01.dft	
	Size: A	Material: LMDPE	Rev: 00	
	Part No: TBD	Do Not Scale	Sheet:	2 OF 4

REVISION HISTORY

REV	DESCRIPTION	DATE	APPROVED	Revised By
00	Initial Design Release	4/12/2017		

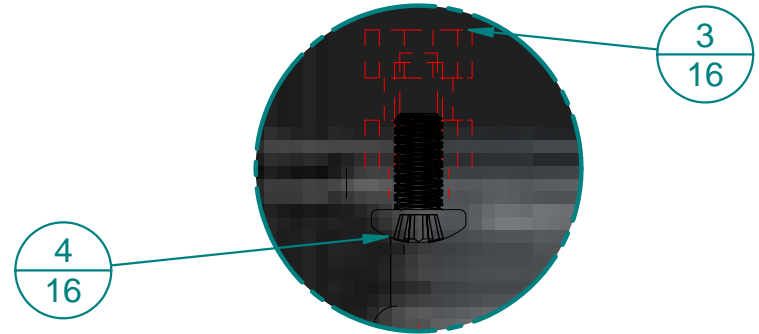
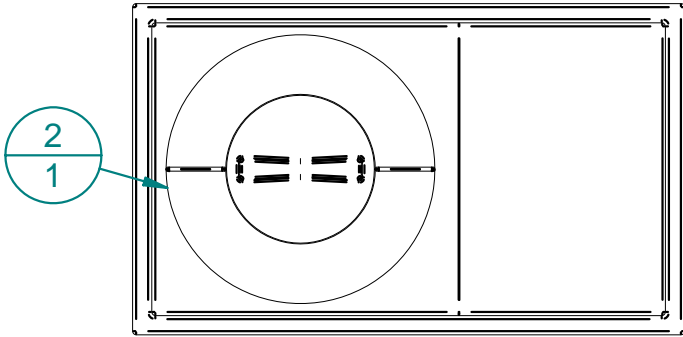


Item Number	Title	Quantity
1	50 Gal Grease Caddy	1
2	12" Manway	1
3	Aluminum Insert	16
4	Panhead Screw	16
5	3"/4" Elastomer Caster	4

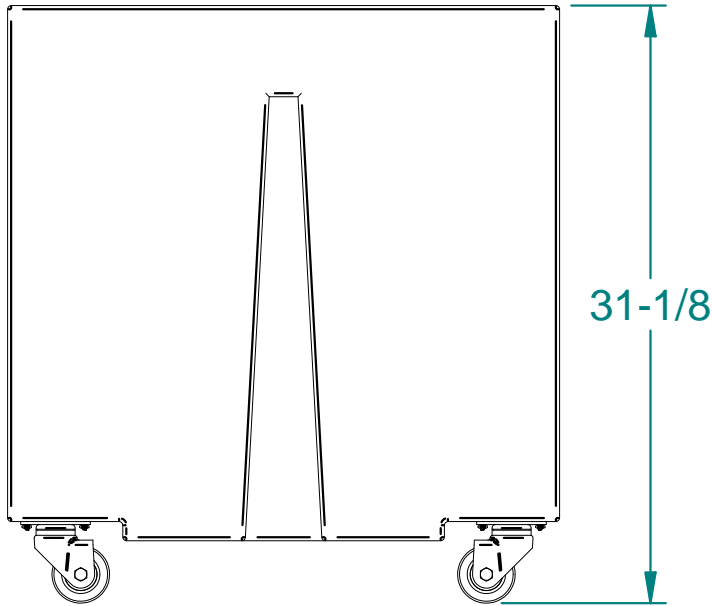
Weight: 46.205 lbm	NAME	DATE	 <p>16160 Hwy 27 Lake Wales, FL. 33859</p>
Wall Thickness: 1/4" NOMINAL	Drawn By: pvilla	4/12/2017	
Customer Part No: TBD	Customer APPR		Customer: DuraCast Products, Inc.
Print Date: 5/5/2017	Copyright ©2017 Dura-Cast Products, Inc.		Part Title: 50 Gallon Grease Caddy
Comments: - UNLESS OTHERWISE SPECIFIED DIMENSIONS ARE IN INCHES - Std Radii 3/16"	UNLESS OTHERWISE SPECIFIED TOLERANCES ARE DIMS > 10" ±1% DIMS < 10" ±0.100 WALL THICKNESS ± 20% FLATNESS ± .030 in/in		File Name: 50 Gall Grease Caddy 01.dft
	Size: A	Material: LMDPE	Rev: 00
	Part No: TBD	Do Not Scale	Sheet: 3 OF 4


Assembled

REVISION HISTORY				
REV	DESCRIPTION	DATE	APPROVED	Revised By
00	Initial Design Release	4/12/2017		



DETAIL B



Weight: 46.205 lbm	NAME	DATE		
Wall Thickness: 1/4" NOMINAL	Drawn By: pvilla	4/12/2017		
Customer Part No: TBD	Customer APPR		16160 Hwy 27 Lake Wales, FL. 33859	
Print Date: 5/5/2017	Copyright ©2017 Dura-Cast Products, Inc.		Customer: DuraCast Products, Inc.	
Comments: - UNLESS OTHERWISE SPECIFIED DIMENSIONS ARE IN INCHES - Std Radii 3/16"	UNLESS OTHERWISE SPECIFIED TOLERANCES ARE DIMS > 10" ±1% DIMS < 10" ±0.100 WALL THICKNESS ± 20% FLATNESS ± .030 in/in		Part Title: 50 Gallon Grease Caddy	
			File Name: 50 Gall Grease Caddy 01.dft	
	Size: A	Material: LMDPE		Rev: 00
Part No: TBD		Do Not Scale		Sheet: 4 OF 4