

REVISION HISTORY

REV	DESCRIPTION	DATE	APPROVED	Revised By
10	PRODUCT RELEASE	06/06/11		

LOCKABLE

8 in MANWAY LID

OPTIONAL BULK HEAD FITTING

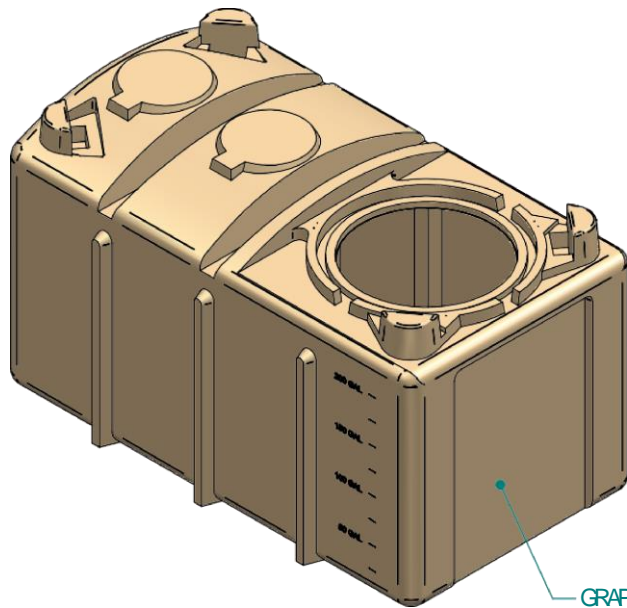
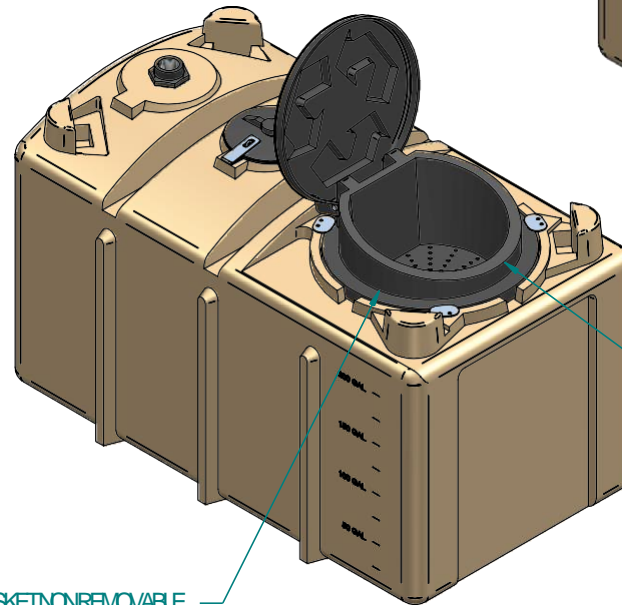
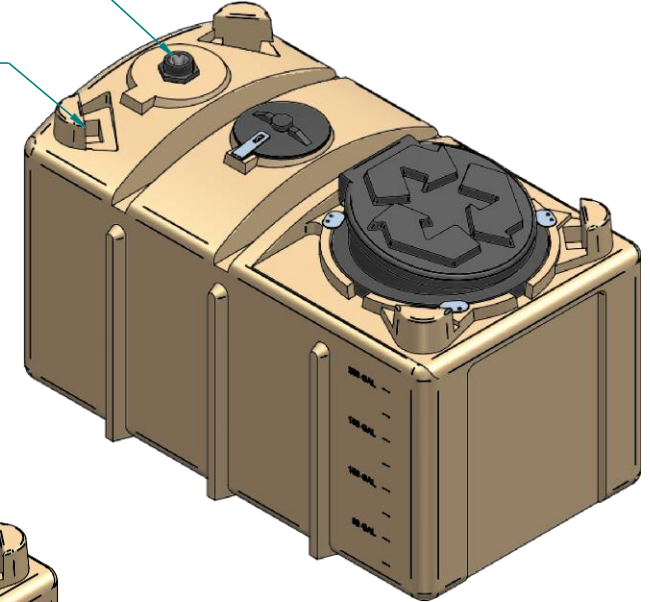
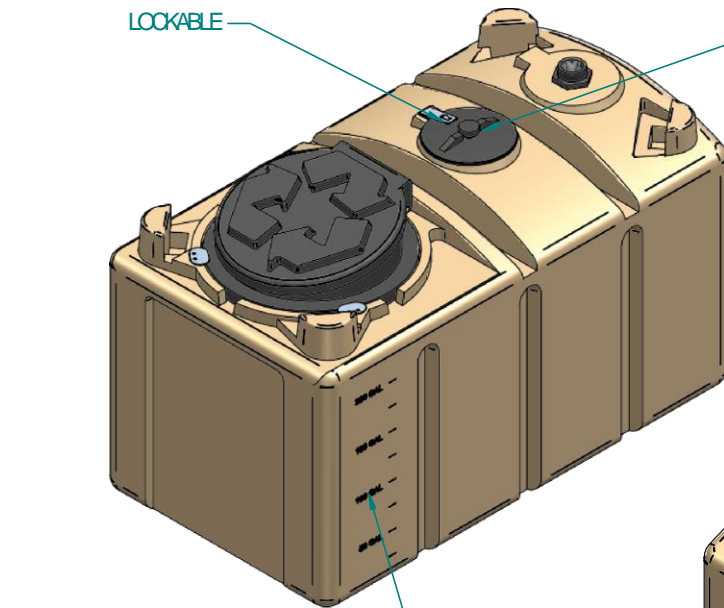
STACKING/TIE DOWN

GALLON SCALBRATION

COLLECTION BASKET ROTATE 360 DEGREES

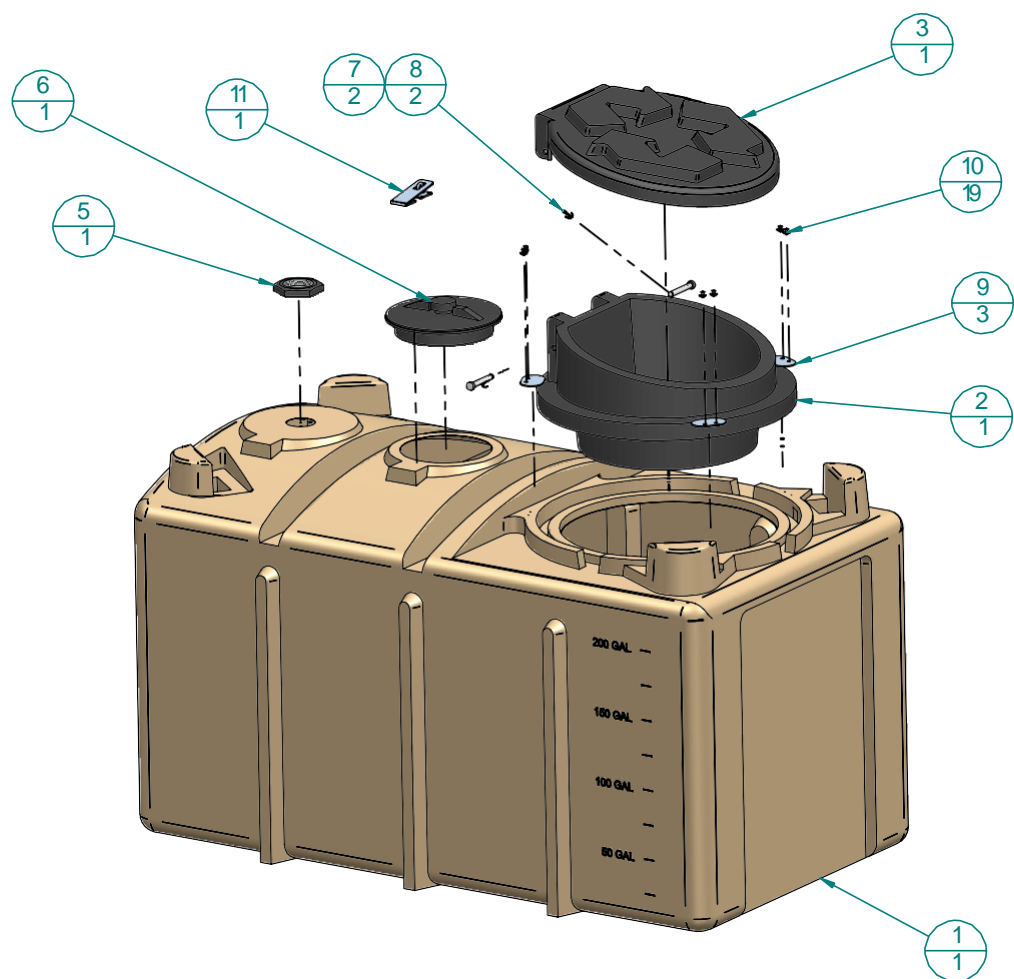
BASKET NONREMOVABLE

GRAPHICS AREA



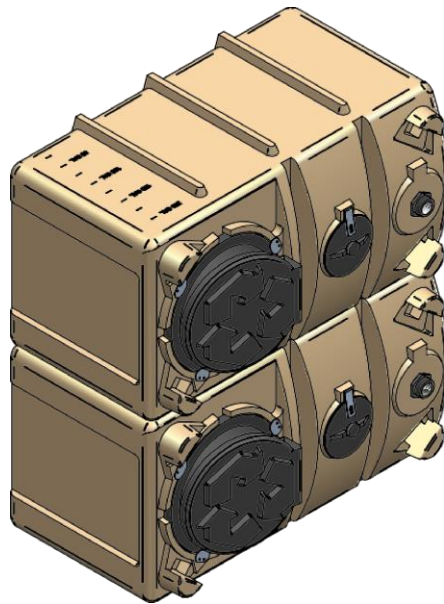
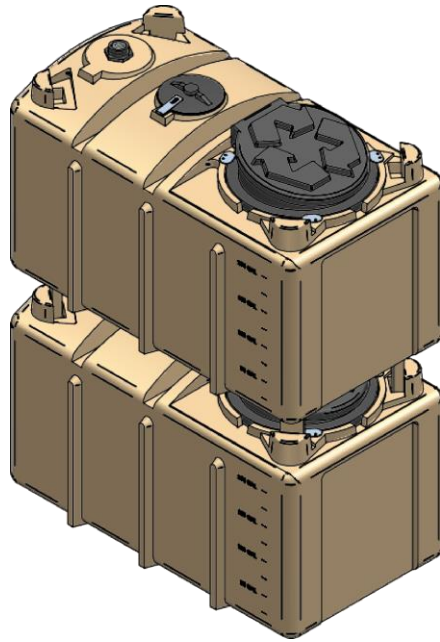
Weight: 125 lbm	NAME	DATE		
Wall Thickness: 0.280 in	Drawn By: mnegron	6/6/2011	16160 Hwy 27 Lake Wales, FL 33859	
Customer Part No: NA	Customer AFR		Customer: Dura-Cast Products, Inc	
Print Date: 6/6/2011	Copyright ©2011 Dura-Cast Products, Inc.		Part Title: 200 Gal Grease Collection Tank	
Comments: - UNLESS OTHERWISE SPECIFIED DIMENSIONS ARE IN INCHES - Std Radii 3/16"	UNLESS OTHERWISE SPECIFIED TOLERANCES ARE: DIMS > 10" ±1% DIMS < 10" ±0.100 WALL THICKNESS ±20% FLATNESS ±.030 in/in		File Name: 200 Grease Collection Horizontal Tank 03.1.dft	
	Size: A	Material: Polyethylene, low density	Rev: 10	
	Part No: 922205-AXXXXXXU	Do Not Scale	Sheet: 1	CF4

REVISION HISTORY				
REV	DESCRIPTION	DATE	APPROVED	Revised By
10	PRODUCT RELEASE	06/06/11		

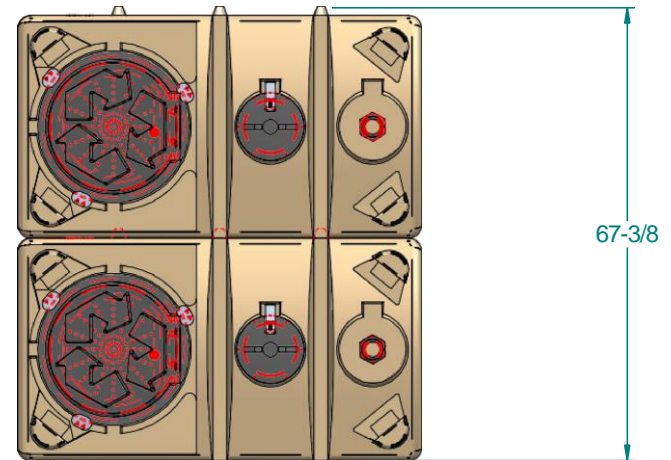
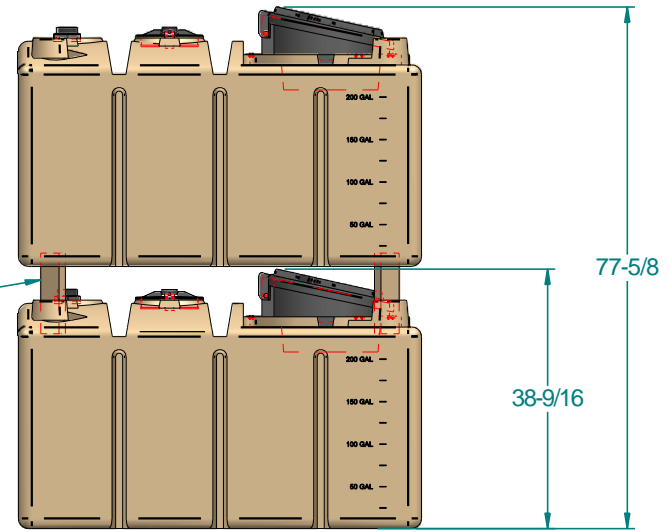



Item Number	Document Number	Title	Material	Quantity
1	920205-M0126XX1	MOLDED 200 Gal Grease Collection Tank	Polyethylene, low density	1
2	920206-S0101XX1	Grease Collection Basket	Polyethylene, low density	1
3	920206-S0101XX2	Grease Collection Basket - Lid	Polyethylene, low density	1
4*	710200	2" Bulkhead Fitting	PolyPro	1
5	710200	2" Bulkhead Nut	PolyPro	1
6	751010	8 in. HDPE BLK Vented Manway Cover & Rim, nonremovable breather		1
7	800291	Delrin Axle - 3.25	Polyethylene, low density	2
8	800292	OB-285 Wheel PolyAxle Clip	Stainless steel	2
9	920205-F0SXXXX2	Basket Locking Plate - Small	Stainless Steel, 304	3
10	410047	3/16 X 1.070 CAL TRIFLX RIVET	Stainless steel	19
11	406054	4-1/2" Steel Hasp		1

Weight: 125 lbm	NAME	DATE	 DURACAST 16160 Hwy 27 Lake Wales, FL 33859
Wall Thickness: 0.280 in	Drawn By: mnegron	6/6/2011	
Customer Part No: NA	Customer APPR		Customer: Dura-Cast Products, Inc
Print Date: 6/6/2011	Copyright ©2011 Dura-Cast Products, Inc.		Part Title: 200 Gal Grease Collection Tank
Comments: - UNLESS OTHERWISE SPECIFIED DIMENSIONS ARE IN INCHES - Std Radii 3/16"	UNLESS OTHERWISE SPECIFIED TOLERANCES ARE: DIMS > 10" ±1% DIMS < 10" ±0.100 WALL THICKNESS ±20% FLATNESS ±.030 in/in		File Name: 200 Grease Collection Horizontal Tank 03.1.dft
	Size: A	Material: Polyethylene, low density	Rev: 10
	Part No: 920205-AXXXXXU	Do Not Scale	Sheet: 2 OF 4



REVISION HISTORY				
REV	DESCRIPTION	DATE	APPROVED	Revised By
10	PRODUCT RELEASE	06/06/11		



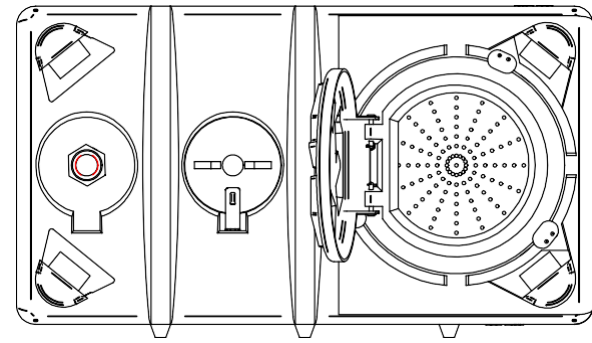
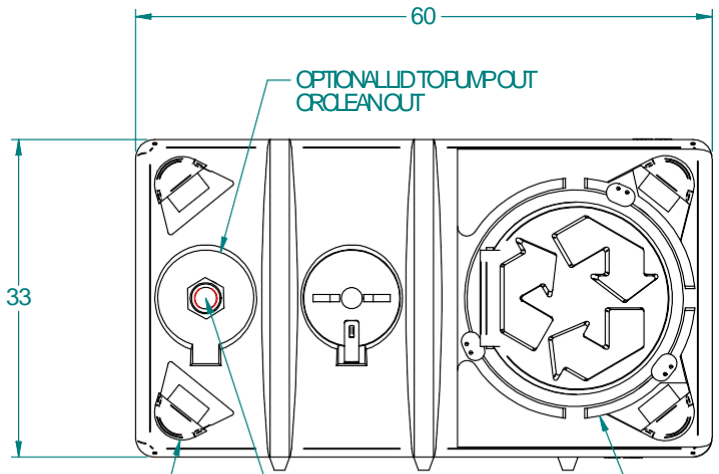
Weight: 125lbm	Drawn By: mnegron	NAME	DATE	 16160 Hwy 27 Lake Wales, FL 33859
Wall Thickness: 0.280 in	Customer Part No: NA	Customer APPR	6/6/2011	
Print Date: 6/6/2011	Copyright © 2011 Dura-Cast Products, Inc.		Part Title: 200 Gal Grease Collection Tank	Customer: Dura-Cast Products, Inc
Comments: - UNLESS OTHERWISE SPECIFIED DIMENSIONS ARE IN INCHES - Std Radii 3/16"	UNLESS OTHERWISE SPECIFIED TOLERANCES ARE: DIMS > 10" ±1% DIMS < 10" ±0.100 WALL THICKNESS ±20% FLATNESS ±.030 in/in		File Name: 200 Grease Collection Horizontal Tank 03.1.dft	Part Title: 200 Gal Grease Collection Tank
	Size: A	Material: Polyethylene, low density	Rev: 10	
	Part No: 92205-AXXXXXU	Do Not Scale	Sheet: 3 OF 4	

*STACKING FOR SHIPPING PURPOSES ONLY

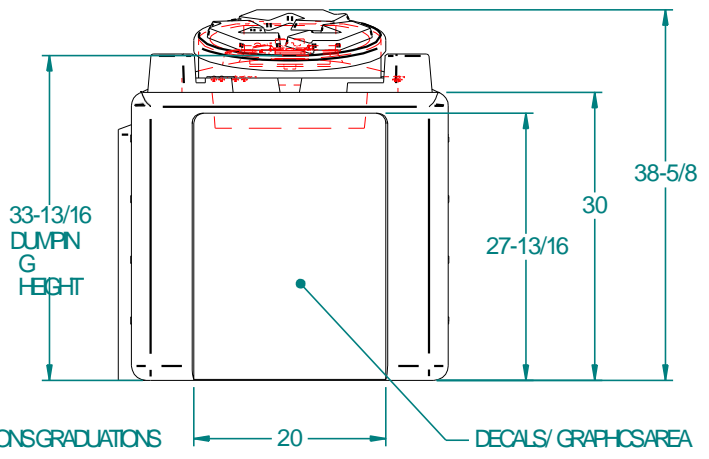
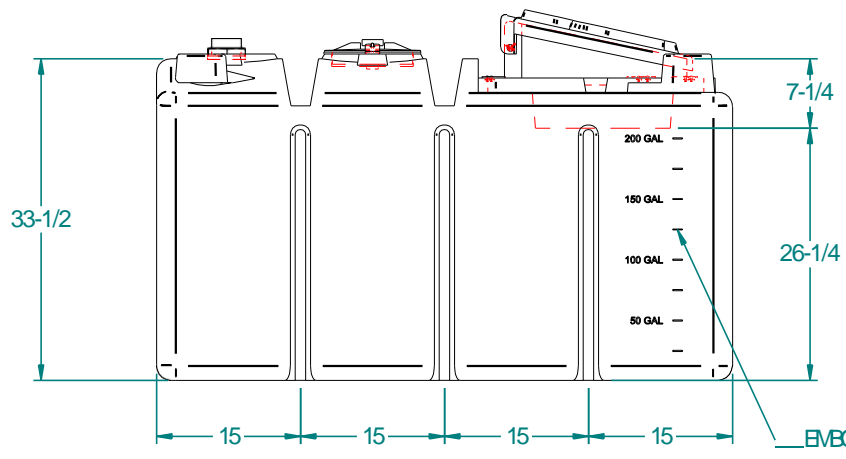
MANUFACTURE INFORMATION

REVISION HISTORY

REV	DESCRIPTION	DATE	APPROVED	Revised By
10	PRODUCT RELEASE	06/06/11		



OPTIONAL B/H FITTING FOR PICKUP LINE



Weight: 125 lbm	NAME: mnegron	DATE: 6/6/2011	<p>16160 Hwy 27 Lake Wales, FL 33859</p>
Wall Thickness: 0.280 in	Drawn By: mnegron	Customer: Dura-Cast Products, Inc	
Customer Part No: NA	Customer: AFR	Part Title: 200 Gal Grease Collection Tank	File Name: 200 Grease Collection Horizontal Tank 03.1.dft
Print Date: 6/6/2011	Copyright © 2011 Dura-Cast Products, Inc.		Size: A
Comments: - UNLESS OTHERWISE SPECIFIED DIMENSIONS ARE IN INCHES - Std Radii 3/16"	UNLESS OTHERWISE SPECIFIED TOLERANCES ARE: DIMS > 10" ±1% DIMS < 10" ±0.100 WALL THICKNESS ±20% FLATNESS ±.030 in/in		Material: Polyethylene, low density
	Part No: 92205-AXXXXXU	Do Not Scale	Sheet: 4 OF 4