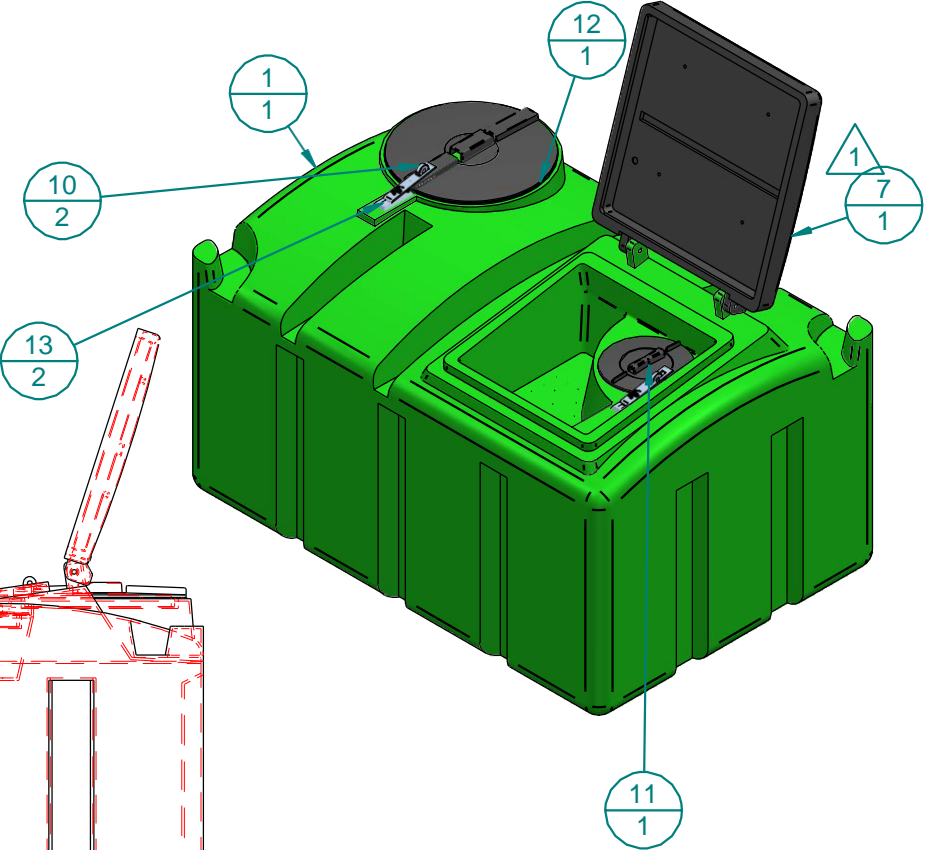
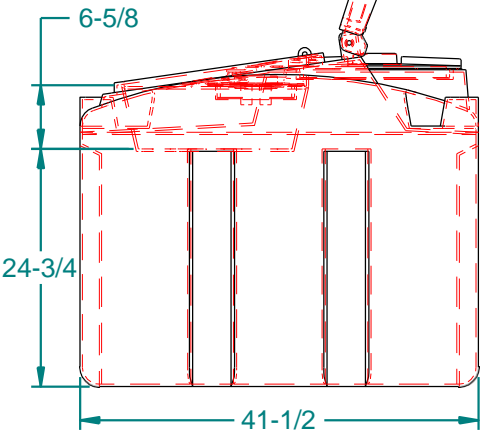
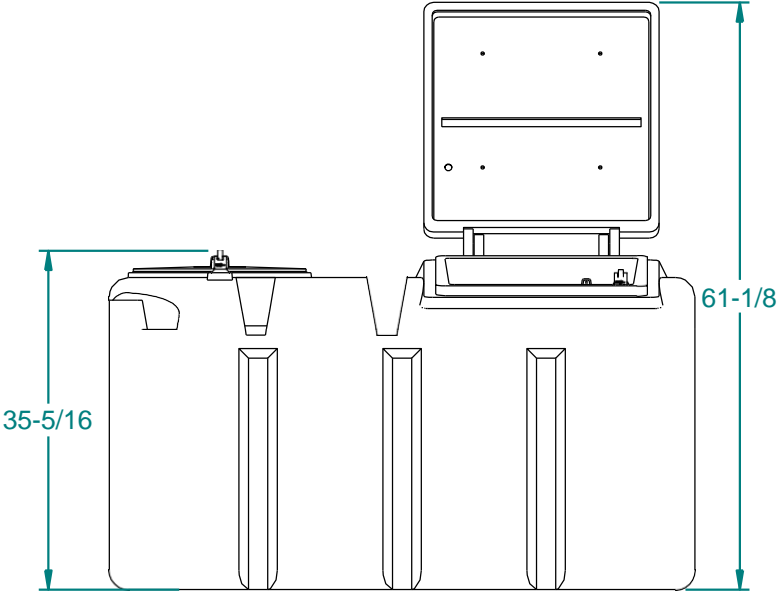
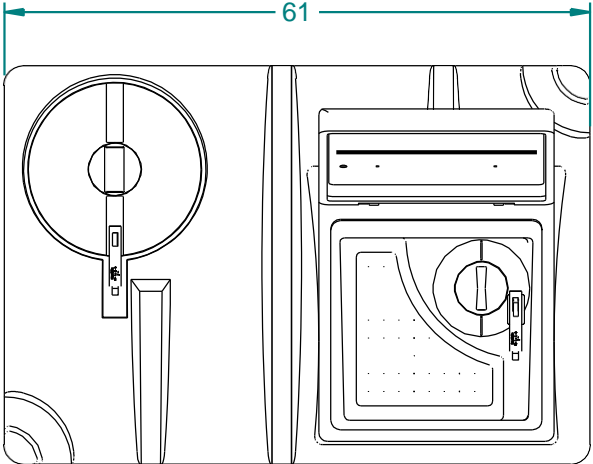


REVISION HISTORY

REV	DESCRIPTION	DATE	APPROVED	Revised By
11	UPDATED PART NUMBERS	02/11/15		

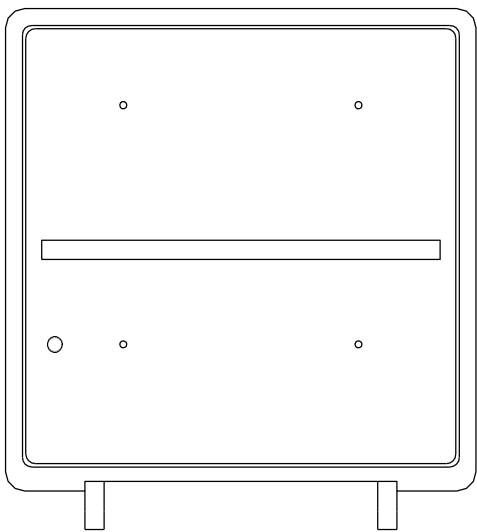
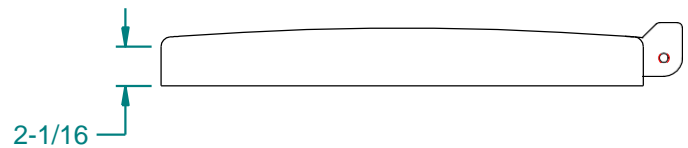
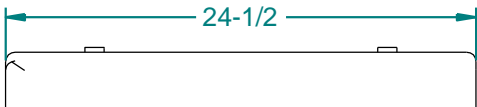
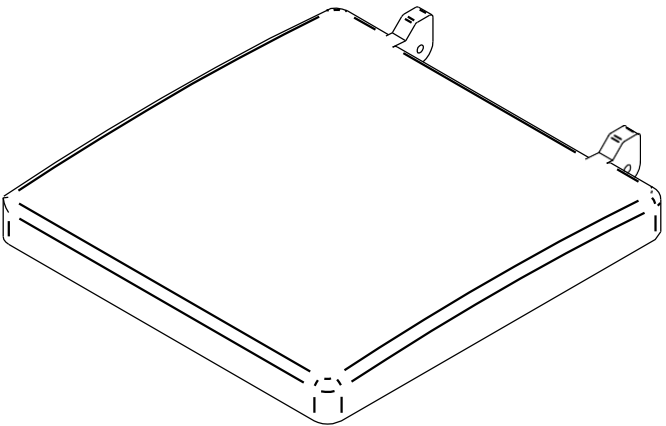
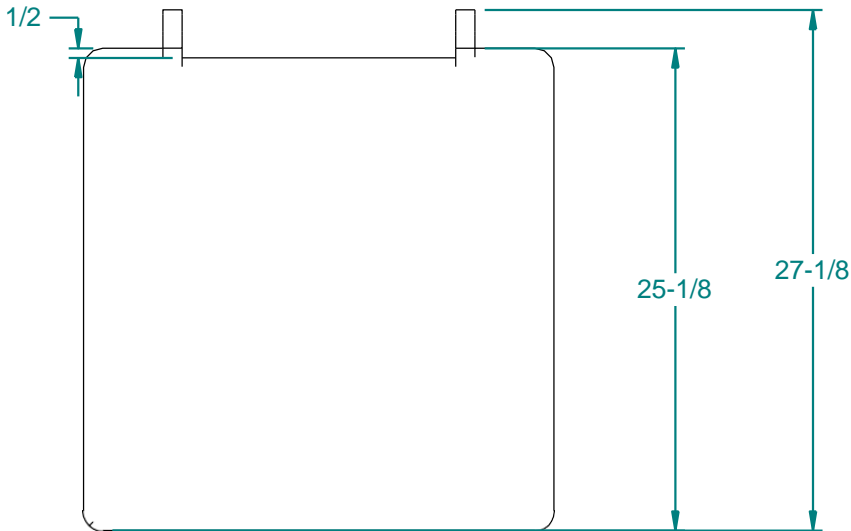



Item Number	Document Number	Title	Quantity
1	920301-M01 00XX1	275 Gal Bio Diesel	1
7	920302-M01 01XX1	Bio Diesel Lid	1
10		7-1/4" Hardened Steel Hasp- Tie Down	2
11	751008T	8" Vented Manway, Tethered	1
12	751016	16in Vented Manway	1
13	406054	7-1/4" Hardened Steel Hasp- Sub Assy	2

Weight: 124,900 lbm	NAME: McConomy	DATE: 1/12/2015	<p>16160 Hwy 27 Lake Wales, FL 33859</p>
Wall Thickness: See Part Details	DRAWN By: Customer APPR	Customer Part No: NA	
Print Date: 2/11/2015	Copyright © 2007 Dura-Cast Products, Inc.		Part Title: 275 Gal Bio Diesel Tank Assy
Comments: UNLESS OTHERWISE SPECIFIED DIMENSIONS ARE IN INCHES - Std Radii 3/16"	Tolerance: UNLESS OTHERWISE SPECIFIED TOLERANCES ARE ±1%		File Name: 275 Gal Bio Diesel Tank Rev2.dft
			Size: A Material: Rev: 11
			Part No: 920301-A0100XX1 Do Not Scale Sheet: 10F3

REVISION HISTORY

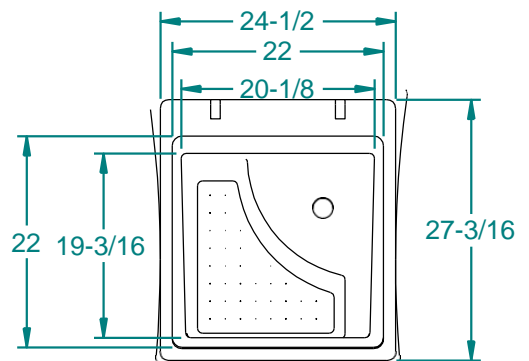
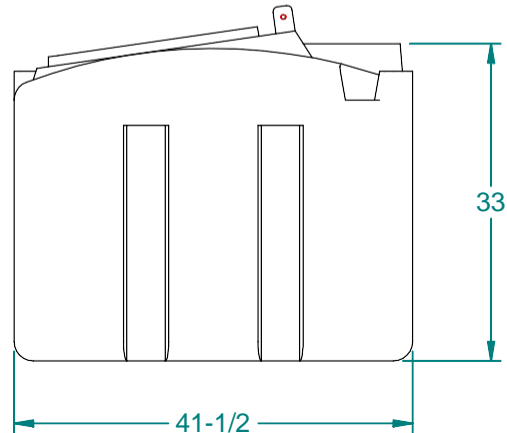
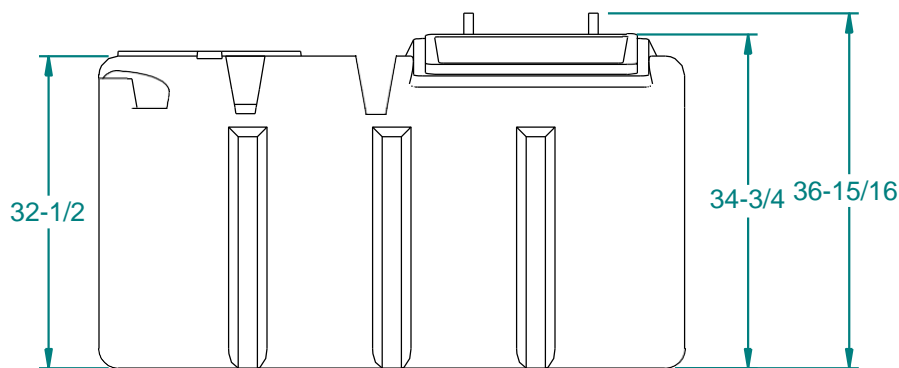
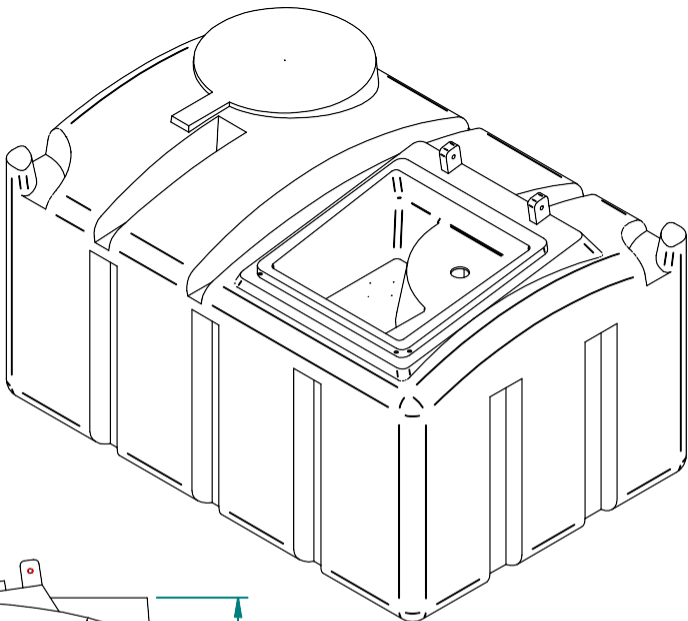
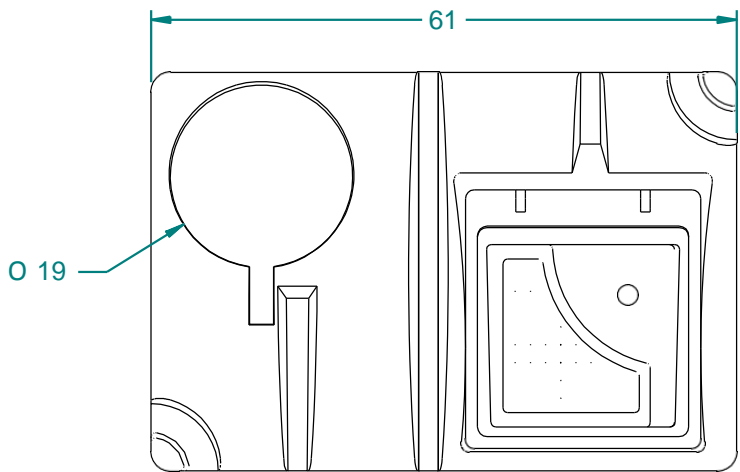
REV	DESCRIPTION	DATE	APPROVED	Revised By
11	UPDATED PART NUMBERS	02/11/15		




Weight: 7.501 lbm	NAME: McConomy	DATE: 1/12/2015	 <p>16160 Hwy 27 Lake Wales, FL 33859</p>
Wall Thickness: 0.125 in	DRAWN By: McConomy	Customer Part No: NA	
Customer Part No: NA	Customer APPR:	Copyright © 2007 Dura-Cast Products, Inc.	Part Title: Bio Diesel Lid
Print Date: 2/11/2015	Tolerance: UNLESS OTHERWISE SPECIFIED TOLERANCES ARE ±1%		File Name: 275 Gal Bio Diesel Tank Rev2.dft
Comments: UNLESS OTHERWISE SPECIFIED DIMENSIONS ARE IN INCHES - Std Radii 3/16"	Size: A		Material: <span style="float: right;">Rev: 11</span>
Part No: g20302-M0101XX1		Do Not Scale	Sheet: 2 OF 3

**REVISION HISTORY**

REV	DESCRIPTION	DATE	APPROVED	Revised By
11	UPDATED PART NUMBERS	02/11/15		



Weight: 101.643 lbm	NAME: McConomy	DATE: 1/12/2015	 <p>16160 Hwy 27 Lake Wales, FL 33859</p>	
Wall Thickness: 0.250 in	DRAWN By: Customer APPR	Customer Part No: NA		Customer: Dura-Cast Products, Inc
Print Date: 2/11/2015	Copyright © 2007 Dura-Cast Products, Inc.		Part Title: 275 Gal Bio Diesel	
Comments: - UNLESS OTHERWISE SPECIFIED DIMENSIONS ARE IN INCHES - Std Radii 3/16"	Tolerance: UNLESS OTHERWISE SPECIFIED TOLERANCES ARE ±1%		File Name: 275 Gal Bio Diesel Tank Rev2.dft	
			Size: A Material: Part No: 920301-M0100XX1	Rev: 11
			Do Not Scale	Sheet: 3 OF 3