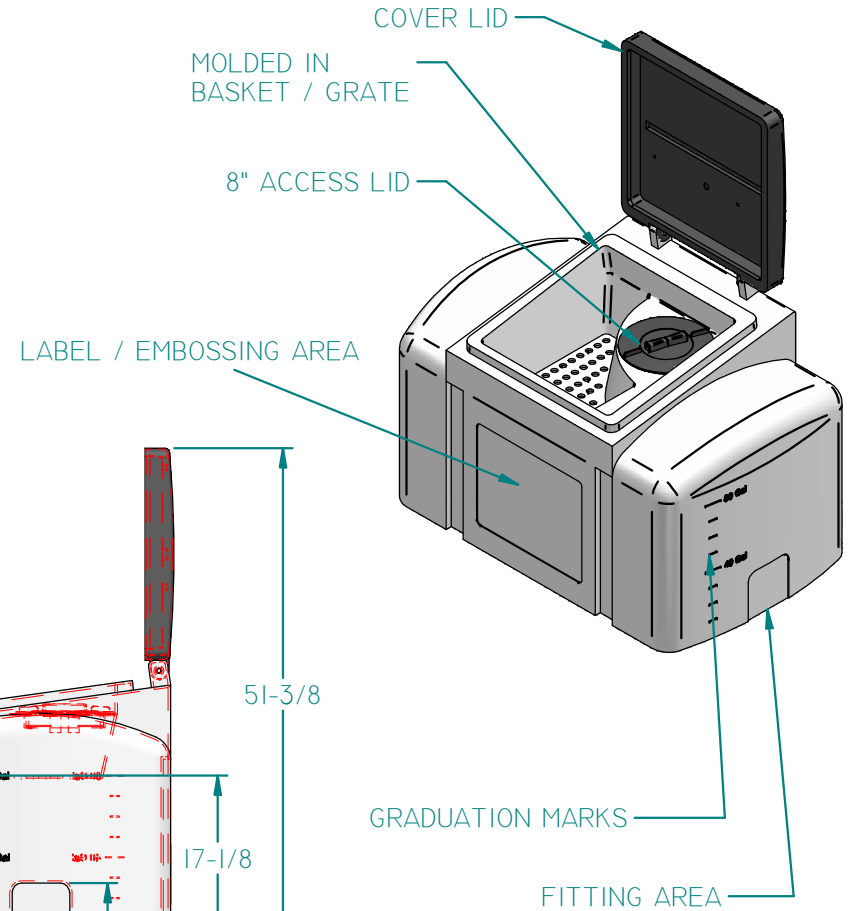
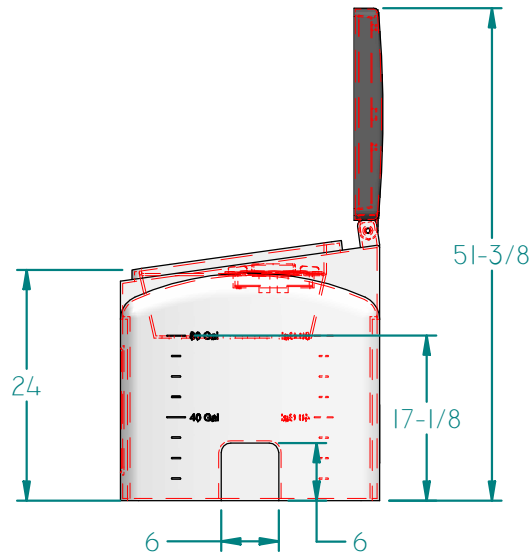
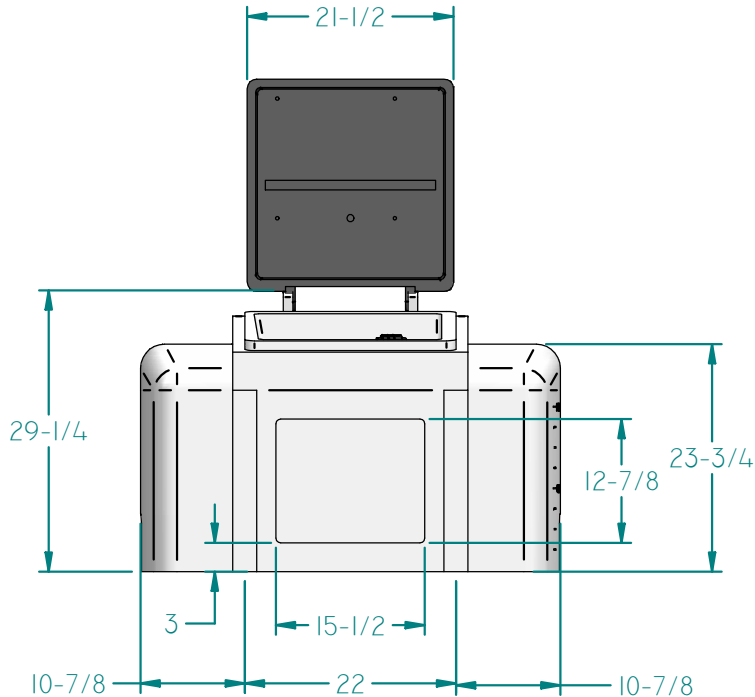
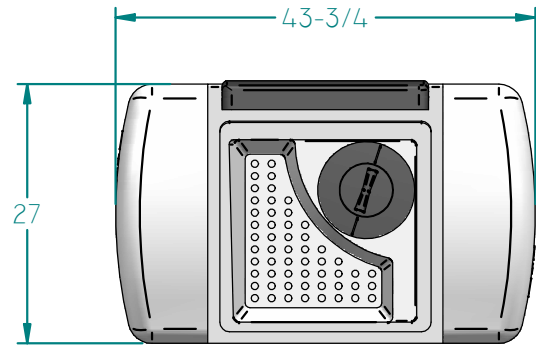



MAIN PRODUCT INFORMATION



REVISION HISTORY

REV	DESCRIPTION	DATE	APPROVED	Revised By
00	PROTOTYPE RELEASE	09/13/12		

Weight: 57.120 lbm	NAME	DATE	 16160 Hwy 27 Lake Wales, FL. 33859		
Wall Thickness: 0.250 in	Drawn By: mnegron	10/24/2011			
Customer Part No: N/A	Customer APPR		Customer:	Dura-Cast Products, Inc.	
Print Date: 9/13/2012	COPYRIGHT © 2012 DURA-CAST PRODUCTS, INC.		Part Title:	80 Gal Bio Diesel Tank	
Comments: - UNLESS OTHERWISE SPECIFIED DIMENSIONS ARE IN INCHES - Std Radii 3/16"	Tolerance:	File Name:		80 Gal Loaf Tank - BIO-DIESEL.dft	
	UNLESS OTHERWISE SPECIFIED TOLERANCES ARE ±1%		Size: A	Material: LLDPE 939	Rev: 00
	Part No: 920081-AXXXXXXU	Do Not Scale	Sheet:	1 OF 1	